



HENDI

Tools for Chefs

Microwave with grill

281710



You should read this user manual carefully before using the appliance.

Bevor Sie das Gerät in Betrieb nehmen, sollten Sie diese Gebrauchsanweisung aufmerksam lesen.

Alvorens de apparatuur in gebruik te nemen dient u deze gebruiksaanwijzing aandachtig te lezen.

Przed uruchomieniem urządzenia należy koniecznie dokładnie przeczytać niniejszą instrukcję obsługi.

Lisez attentivement ce mode d'emploi avant d'utiliser l'appareil .

Prima di utilizzare l'apparecchio in funzione leggere attentamente le istruzioni per l'uso.

Citiți cu atenție prezentul manual de utilizare înainte de folosirea aparatului.

Внимательно прочитайте руководство пользователя перед использованием прибора.

Πρέπει να διαβάσετε αυτές τις οδηγίες χρήσης προσεκτικά πριν χρησιμοποιήσετε τη συσκευή.



Keep these instructions with the appliance.
Diese Gebrauchsanweisung bitte beim Gerät aufbewahren.
Bewaar deze handleiding bij het apparaat.
Zachowaj instrukcję urządzenia
Gardez ces instructions avec cet appareil.
Conservate le istruzioni insieme all'apparecchio.
Păstrați manualul de utilizare alături de aparat.
Хранить руководство вместе с устройством.
Φυλάξτε αυτές τις οδηγίες μαζί με τη συσκευή.




For indoor use only.
Nur zur Verwendung im Innenbereich.
Alleen voor gebruik binnenshuis.
Do użytku wewnątrz pomieszczeń.
Pour l'usage à l'intérieur seulement.
Destinato solo all'uso domestico.
Doar pentru uz la interior.
Использовать только в помещениях.
Για χρήση μόνο σε εσωτερικό χώρο.



Dear Customer,

Thank you for purchasing this Hendi appliance. Before using the appliance for the first time, please read this manual carefully, paying particular attention to the safety regulations outlined below.

Safety regulations


- This appliance is intended for buffet and household use.
- The appliance must only be used for the purpose for which it was intended and designed. The manufacturer is not liable for any damage caused by incorrect operation and improper use.
- Keep the appliance and electrical plug away from water and any other liquids. In the event that the appliance should fall into water, immediately remove plug from the socket and do not use until the appliance has been checked by a certified technician. Failure to follow these instructions could cause a risk to lives.
- Never attempt to open the casing of the appliance yourself.
- Do not insert any objects in the casing of the appliance.
- Do not touch the plug with wet or damp hands.
-  **Danger of electric shock!** Do not attempt to repair the appliance yourself. In case of malfunctions, repairs are to be conducted by qualified personnel only.
- **Never use a damaged appliance!** Disconnect the appliance from the electrical outlet and contact the retailer if it is damaged.
- **Warning!** Do not immerse the electrical parts of the appliance in water or other liquids. Never hold the appliance under running water.
- Regularly check the power plug and cord for any damage. If the power plug or power cord is damaged, it must be replaced by a service agent or similarly qualified persons in order to avoid danger or injury.
- Make sure the cord does not come in contact with sharp or hot objects and keep it away from open fire. To pull the plug out of the socket, always pull on the plug and not on the cord.
- Ensure that the cord (or extension cord) is positioned so that it will not cause a trip hazard.
- Always keep an eye on the appliance when in use.
- **Warning!** As long as the plug is in the socket the appliance is connected to the power source.
- Turn off the appliance before pulling the plug out of the socket.
- Never carry the appliance by the cord.
- Do not use any extra devices that are not supplied along with the appliance.
- Only connect the appliance to an electrical outlet with the voltage and frequency mentioned on the appliance label.
- Connect the power plug to an easily accessible electrical outlet so that in case of emergency the appliance can be unplugged immediately. To completely switch off the appliance pull the power plug out of the electrical outlet.

EN



- Always turn the appliance off before disconnecting the plug.
- Never use accessories other than those recommended by the manufacturer. Failure to do so could pose a safety risk to the user and could damage the appliance. Only use original parts and accessories.
- This appliance is not intended for use by persons (including children) with reduced physical, sensory or mental capabilities, or lack of experience and knowledge.
- This appliance must not be used by children under any circumstances.
- Keep the appliance and its cord out of reach of children.
- Always disconnect the appliance from the mains if it is left unattended or is not in use, and before assembly, disassembly or cleaning.
- Never leave the appliance unattended during use.

Special Safety Regulations

- This appliance is intended for reheating, defrosting, grilling and cooking food or beverages. Drying of food or clothing and heating of warming pads, slippers, sponges, damp cloth and similar may lead to risk of injury, ignition of fire.
- Use the appliance only as described in this manual.
- This appliance is intended to be used in household and similar applications such as:
 - staff kitchen areas in shops, offices and other working environments;
 - farm houses;
 - by clients in hotels, motels and other residential environments;
 - bed and breakfast type environments.
-  **Caution! Hot surface!** The temperature of the door and other accessible surface is very high during use. Touch the control panel only.
- Do not operate the appliance without food inside the oven cavity as it may damage the appliance.
- Only use utensils that are suitable for use in the microwave oven. Do not use containers or cutlery made from or containing metal, aluminium foil, lead crystal glassware, temperature-sensitive plastics, wood or metal clips or wire ties. Do not use bowls with milled rims or plastic pots with the lid partially removed. Risk of fire.
- When heating food in plastic or paper containers, keep an eye on the oven due to the possibility of ignition.
- If smoke is emitted, switch off or unplug the appliance and keep the door closed in order to stifle any flames.
- Never use this appliance without any food inside, it's very dangerous.
- Do not attempt to operate this microwave with the door open since this can result in harmful exposure to microwave energy. It is important not to break or bypass the safety interlocks.

- Eggs in their shells and whole hard-boiled eggs should not be heated in the microwave oven since they may explode, even after microwave heating has ended.
- **WARNING:** If the door or door seals are damaged, the appliance must not be operated until it has been repaired by a certified technician.
- **WARNING:** It is hazardous for anyone other than a certified technician to carry out any maintenance or repair operation that involves the removal of a cover which gives protection against exposure to microwave energy.
- **WARNING:** Liquid and other foods must not be heated in sealed containers since they are liable to explode.
- **WARNING:** The contents of feeding bottles and baby food jars shall be stirred or shaken and check the temperature before use to avoid burns.
- **WARNING:** Microwave heating of beverages can result in delayed eruptive boiling, therefore care must be taken when handling the container.
- The appliance is intended to be used freestanding. Do not block any vents. The information on adequate space (top / back / sides) for sufficient air circulation can be found in the "Before use" session.
- Dishes may get hot due to the heated food. Use oven gloves (not included) to take the food out of the appliance.
- The microwave oven should be cleaned regularly and any food deposits removed.
- If the appliance isn't maintained in a good state of cleanliness, it will lead to deterioration of the surface that could adversely affect the life of the appliance and possibly in a hazardous situation.
- Do not use the oven cavity for storage processes. Do not store items, such as bread, cookies, etc. inside the oven cavity.
- This microwave oven is not intended to be operated by means of an external timer or separate remote-control system.
- Place food inside the microwave cavity gently to avoid damage the glass turntable.
- Caution! Securely route the power cord if necessary in order to prevent unintentional pulling or contact with the heating surface.
- Do not wash the appliance with water. Washing can cause leakages and increase the risk of electric shock.
- Do not clean or store the appliance unless it is completely cooled down.
- No parts are dishwasher safe.

Intended use

- This appliance is intended for buffet and household use.
- The microwave is designed only for heating and defrosting of food products using appropriate dishes. Any other use may lead to damage to the microwave or personal injury.
- Operating the appliance for any other purpose shall be deemed a misuse of the device. The user shall be solely liable for improper use of the device.



Grounding installation

This appliance is classified as protection class I appliance and must be connected to a protective ground. Grounding reduces the risk of electric shock by providing an escape wire for the electric current. This appliance is equipped

with a cord having a grounding wire with a grounding plug. The plug must be plugged into an outlet that is properly installed and grounded.

Utensils

There may be certain non-metallic utensils that are not safe to use for this microwave. If in doubt, you can test the utensil following the below procedure.

Test of utensil:

Put a microwave safe container with 1 cup of cold water (about 250ml) together with the utensil inside the microwave. Cook on maximum power for 1 minute. Feel the utensil care-

fully. If the utensil becomes warm, DO NOT use it with the microwave. Do not cook the utensil over 1 minute.

Cooking utensils guide

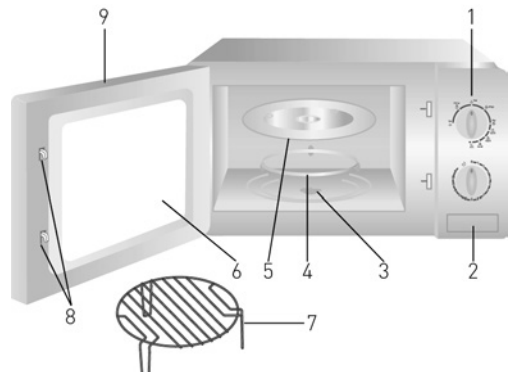
Below a general guide to help you select suitable utensils:

Cooking utensil	Microwave mode	Grill mode	Combination mode	Remark
Heat -resistant glass	√	√	√	
Non-heat-resistant glass	x	x	x	
Heat resistant ceramics	√	√	√	
Microwave-safe plastic dishes	√	x	x	Not suitable for high temp.
Kitchen paper	√	x	x	Short duration for warming only. Attended use.
Metal tray	x	√	x	Arcing occur if used in microwave.
Metal rack	x	√	x	
Aluminum foil and containers	x	√	x	

√: Suitable for use under the corresponding mode. Please follow the manufacturer's instruction and with the lid removed. Do not use if the surface is cracked or damaged.
x: Not suitable for use under the corresponding mode.

Main parts of the appliance

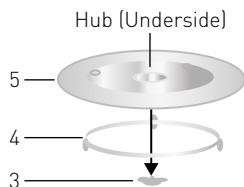
1. Control panel (See Fig.1)
2. Open door button
3. Turntable shaft
4. Turntable roller
5. Glass turntable
6. Glass window
7. Grill rack (Use in grill mode only)
8. Door locking mechanism
9. Door



Turntable installation

- Never place the glass turntable (5) upside down.
- Both the turntable roller (4) and glass turntable (5) must be used during cooking.
- All the food and beverages must be placed on the glass turntable (5) for cooking.
- Place the turntable roller (4), glass turntable (5) along vertical with the turntable shaft (3). Make sure they rotate smoothly.
- Clean the glass turntable (5) after each use.
- **Attention:** DO NOT use the microwave if glass turntable (5) or turntable roller (4) cracks or damages, contact the supplier at once.

- Use only the supplied turntable roller (4) and glass turntable (5).



Preparations before using for the first time

- Remove all protective packaging and wrapping.
- Check if the appliance is undamaged. In case of incomplete delivery or damages. Contact the supplier and DO NOT use the appliance (See ==> Warranty).
- Clean the appliance before use (See ==> Cleaning and Maintenance).
- Ensure the appliance is completely dry.
- Place the appliance on a horizontal, stable and heat resistant surface that is safe from water splashes.

- Do not place the appliance in close proximity to devices which are sensitive to disturbances by magnetic sources (e.g. radios, tape decks).

Note: Due to manufacturing residues, the appliance may emit a light odor during the first few uses. This is normal and does not indicate any defect or hazard. Make sure the appliance is well ventilated.

Operation

- Place the microwave on a flat, stable, heat resistant and dry horizontal surface. Leave space for sufficient airflow:
 - above the microwave : 20 cm
 - at the back : 5 cm
 - on both sides : 10 cm
- Open the microwave door (9) by pressing the door release button (2).
- Put the turntable roller (4) and glass turntable (5) in the correct place. Otherwise, it cannot rotate smoothly. (See ==> Turntable installation).
- Connect the power plug to a suitable electrical supply outlet.

Notes:

- Do not place the microwave where heat, moisture or high humidity are generated, or near combustible materials.

- Make sure the power cord is undamaged and does not run under the microwave or over any hot or sharp surfaces.
- The power plug must be readily accessible so that it can be easily disconnected in an emergency.
- Attention: The grill rack (7) can be only be used in Grill mode.
- The glass turntable (5) should be used in all modes: Microwave, grill and combination modes.
- Use suitable dishes when use with grill rack (7) to avoid touching the walls of the appliance.
- Place the food with container and close the door (9).



Setting Power level & Timer:

- Set the cooking power by turning the power knob to a desired power level on the control panel (1). (Microwave, combination or grill mode).
- Set the cooking time (Range: 0 min – 35 mins) by turning the timer knob to the desired cooking time.
- The microwave will start the cooking operation automatically after power and timer are set.
- After the set cooking time is elapsed, “Dong” sound will be heard and the cooking operation is finished.
- Now, you can take out the food. Use oven gloves if necessary (not included). Be careful of the hot surface.
- If not use the appliance, always set the timer to “0” position.

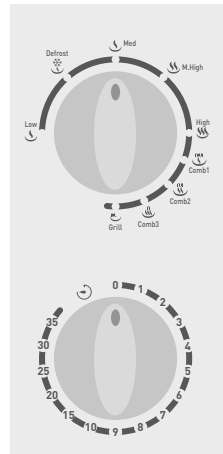


Fig. 1

Function	Approx. output power	Use of application
Low	120W	Soften ice-cream
Defrost	230W	Soup stew, soften butter or defrost
Med	385W	Stew, fish
M. High	540W	Rice, fish, chicken, minced meat
High	700W	Reheating milk, vegetables, boil water, beverage

Note: Above table showing the power level only refers to the microwave power output and not refer to the grill or power consumption of the appliance. The use of application is just for reference only.

Function	Operation	Use of application
Comb1	80% time: grill; 20% time: microwave	Grilling steaks, minced meat, kebabs, sausages and chicken parts.
Comb2	70% time: grill; 30% time: microwave	Chicken pieces, pork chops, fishes
Comb3	60% time: grill; 40% time: microwave	Puddings, omelettes, backed carrots and vegetables.
Grill	100% time: grill	Baked bread, sliced food

Note:

1. Above table showing the operation during combination and grill mode.
2. When taking out the food from the appliance, please ensure that the appliance is switched off by turning the Timer to the “0” position. Otherwise, it may cause damage to the appliance.
3. Above 2 tables are just for reference only. Actual cooking time and power setting will vary based on desired cooking effect. Change individual cooking time and power setting manually if necessary.



Cooking tips

- This appliance can be opened at any time during the cooking process. It might be necessary, for example, to turn or stir food, or to check the food cooked thoroughly or not.
- Terminate the cooking process by setting the timer to the "0" position manually.
- Now, you can take out the food. Use oven gloves if necessary (not included). Be careful of the hot surface.
- If not use the appliance, always set the timer to "0" position.

Cleaning and Maintenance

Attention: Always unplug the appliance from the electrical power outlet and let it cool down completely before cleaning & storage.

Cleaning

- Never immerse the appliance in water or other liquids.
- Clean the cooled exterior surface with a slightly damp cloth or sponge with some mild soap solution.
- Never use abrasive sponges or detergents, steel wool or metallic utensils to clean the interior or exterior parts of the appliance.
- The glass turntable (5) can be removed for cleaning. Take great care when cleaning the glass turntable (5) to avoid damages. Clean it using warm, soapy water.
- The turntable roller (4) and the bottom of the cavity should be cleaned regularly due to hygiene reason and to keep the turntable roller (4) running smoothly.
- The luminary inside the oven is replaceable. But it should be done by authorized technician.

Storage

- Before storage, always make sure the appliance has already been disconnected from the electrical outlet and cooled down completely.
- Store the appliance in a cool, clean and dry place.

Troubleshooting

If the appliance does not function properly, please check the below table for the solution. If you are still unable to solve the problem, please contact the supplier/service provider.

Problems	Possible cause	Possible solution
The appliance does not switch on.	<ul style="list-style-type: none">- Power plug is not connected properly with the electrical outlet.- Timer is set to "0" position.- Door (9) is not fully closed.	<ul style="list-style-type: none">- Check the power plug to make sure it is connected properly.- Set the timer to the desired cooking time.- Make sure the door (9) is closed and locked in place.
Glass turntable (4) makes noise during operation.	<ul style="list-style-type: none">- Glass turntable (5) not installed correctly.- Bottom of cavity is not flat due to some food residue left.	<ul style="list-style-type: none">- Make sure the glass turntable (5) installed correctly.- Clean the bottom of the cavity to make sure it is flat.



Technical specification

Item no. : 281710

Operating voltage and frequency : 230V~ 50Hz

Microwave frequency : 2450MHz

Rated input power (Microwave) : 1050W

Rated output power (Microwave) : 700W

Rated input power (Grill) : 1000W

Oven capacity : 20 liters

Timer setting : 0 min ~ 35 min

Protection class : class I

Dimension : 440 x 330 x (H) 259 mm

Remark: Technical specification is subjected to change without prior notification.

Warranty

Any defect affecting the functionality of the appliance which becomes apparent within one year after purchase will be repaired by free repair or replacement provided the appliance has been used and maintained in accordance with the instructions and has not been abused or misused in any way. Your statutory rights are not affected. If the appliance is claimed

under warranty, state where and when it was purchased and include proof of purchase (e.g. receipt).

In line with our policy of continuous product development we reserve the right to change the product, packaging and documentation specifications without notice.

Discarding & Environment


When decommissioning the appliance, the product must not be disposed of with other household waste. Instead, it is your responsibility to dispose to your waste equipment by handing it over to a designated collection point. Failure to follow this rule may be penalized in accordance with applicable regulations on waste disposal. The separate collection and recycling of your waste equipment at the time of disposal will help conserve natural resources

and ensure that it is recycled in a manner that protects human health and the environment. For more information about where you can drop off your waste for recycling, please contact your local waste collection company. The manufacturers and importers do not take responsibility for recycling, treatment and ecological disposal, either directly or through a public system.

Sehr geehrte Kundin, sehr geehrter Kunde,

wir danken Ihnen für den Kauf des Gerätes Hendi. Machen Sie sich bitte mit dieser Anleitung noch vor der Inbetriebnahme des Gerätes vertraut, um Schäden durch die unsachgemäße Bedienung zu vermeiden. Den Sicherheitsregeln ist besondere Aufmerksamkeit zu widmen.

Sicherheitsregeln

- Die unsachgemäße Bedienung des Geräts kann zur schweren Beschädigung des Geräts sowie zu Verletzungen führen.
- Dieses Gerät ist für den Buffet- und Haushaltsgebrauch bestimmt.
- Das Gerät ist ausschließlich zu dem Zweck zu benutzen, zu dem es hergestellt wurde. Der Hersteller haftet nicht für Schäden, die auf unsachgemäße Bedienung des Geräts zurückzuführen sind.
- Den Kontakt des Gerätes und des Steckers mit Wasser oder einer anderen Flüssigkeit vermeiden. Den Stecker unverzüglich aus dem Stecker ziehen und das Gerät von einem anerkannten Fachmann prüfen lassen, wenn das Gerät unbeabsichtigterweise ins Wasser fällt. Bei Nichteinhaltung dieser Sicherheitsvorschriften besteht Lebensgefahr.
- Nie eigenständig das Gehäuse des Gerätes zu öffnen versuchen.
- In das Gehäuse des Gerätes keine Gegenstände einführen.
- Den Stecker nicht mit nassen oder feuchten Händen berühren.
-  **Gefahr eines Stromschlags!** Das Gerät darf nicht selbstständig repariert werden. Sämtliche Mängel und Unzulänglichkeiten sind ausschließlich durch qualifiziertes Personal zu beseitigen.
- **Niemals ein beschädigtes Gerät benutzen!** Das beschädigte Gerät vom Netz trennen und sich mit dem Verkäufer in Verbindung setzen.
- **Warnung:** Die Elektroteile des Gerätes dürfen weder in Wasser noch in andere Flüssigkeiten getaucht werden. Ebenso ist das Gerät nicht unter fließendes Wasser zu halten.
- Der Stecker und die Stromversorgungsleitung sind regelmäßig auf Beschädigungen zu prüfen. Der beschädigte Stecker oder Leitung sind an eine Servicestelle oder einer anderen qualifizierten Person zur Reparatur zu übergeben, um eventuellen Gefahren und Verletzungen des Körpers vorzubeugen.
- Man muss sich davon überzeugen, ob die Stromversorgungsleitung weder mit scharfkantigen noch mit heißen Gegenständen in Berührung kommt; halten Sie die Leitung weit entfernt von einer offenen Flamme. Um den Stecker aus der Netzsteckdose zu nehmen, muss man immer am Stecker und nicht an der Leitung ziehen.
- Die Stromversorgungsleitung (oder Verlängerungsleitung) ist vor dem zufälligen Herausziehen aus der Steckdose zu schützen. Die Stromversorgungsleitung muss so geführt werden, dass niemand zufällig darüber stolpern kann.
- Das Gerät muss während seiner Anwendung ständig kontrolliert werden.

DE




- **Warnung!** Wenn der Stecker in der Netzsteckdose ist, muss man das Gerät als an die Stromversorgung angeschlossen betrachten.
- Bevor der Stecker aus der Netzsteckdose genommen wird, ist das Gerät auszuschalten.
- Das Gerät darf beim Tragen nicht an der Leitung gehalten werden.
- Benutzen Sie kein Zubehör, das nicht mit diesem Gerät mitgeliefert wurde.
- Das Gerät muss man ausschließlich an die Steckdose mit solch einer Spannung und Frequenz anschließen, wie auf dem Typenschild angegeben wird.
- Stecken Sie den Stecker in die Steckdose, die an einem leicht und bequem zugänglichen Ort angeordnet ist, und zwar so, dass das Gerät bei einer Störung sofort abgeschaltet werden kann. Um das Gerät vollständig auszuschalten, muss man es von der Stromquelle trennen. Zu diesem Zweck muss man den Stecker, der sich am Ende der vom Gerät getrennten Leitung befindet, aus der Netzsteckdose ziehen.
- Vor dem Abtrennen des Steckers ist das Gerät auszuschalten!
- Benutzen Sie kein Zubehör, das nicht vom Hersteller empfohlen wird. Die Anwendung vom nicht empfohlenen Zubehör stellt eine Gefahr für den Nutzer dar und kann zur Beschädigung des Gerätes führen. Benutzen Sie ausschließlich Ersatzteile und Zubehör im Original.
- Dieses Gerät eignet sich nicht für den Gebrauch durch Personen (gilt auch für Kinder) mit geringerer Motorik, Sensorik oder geistiger Fähigkeit oder mangelhafter Erfahrung und Wissen.
- Auf keinen Fall darf das Bedienen des Gerätes durch Kinder zugelassen werden.
- Das Gerät mit Stromversorgungsleitung ist außerhalb der Reichweite von Kindern zu lagern.
- Ebenso muss dafür gesorgt werden, dass die Kinder das Gerät nicht zum Spielen benutzen.
- Das Gerät ist immer dann von der Stromversorgung zu trennen, wenn es ohne Aufsicht bleiben soll bzw. auch vor der Montage, Demontage und Reinigung.
- Während der Nutzung darf das Gerät nicht ohne Aufsicht gelassen werden.

Besondere Sicherheitsvorschriften

- Das Gerät dient ausschließlich zum Erhitzen, Auftauen, Grillen und Kochen von Lebensmitteln und Getränken. Das Trocknen von Lebensmitteln oder der Kleidung sowie das Erhitzen von Heizkissen, Hausschuhen, Schwämmen, feuchten Tüchern usw. kann zu Körperverletzungen oder zum Brand führen.
- Verwenden Sie das Gerät ausschließlich gemäß der vorliegenden Anleitung.
- Das Gerät darf in den Haushalten sowie in den folgenden Bereichen verwendet werden:
 - Küchen für die Mitarbeiter in Läden, Büros und anderen Arbeitsplätzen;
 - Bauernhäuser;
 - Küchen für die Gäste in Hotels, Motels und in anderen Wohnbereichen;



- B&B-Hotels.

-  **Achtung! Heiße Fläche!** Während des Betriebs des Geräts erwärmen sich die Tür und die anderen zugänglichen Flächen auf sehr hohe Temperaturen. Berühren Sie ausschließlich das Steuerpanel.
- Nehmen Sie das Gerät nicht in Betrieb, bevor Sie die Lebensmittel in die Mikrowelle nicht einlegen. Das kann zu ihrer Beschädigung führen.
- Zum Kochen/Erhitzen von Speisen im Gerät muss man ausschließlich solche Kochgeschirre benutzen, die sich für die Verwendung in Mikrowellen eignen. Verwenden Sie nicht die folgenden Gegenstände: Behälter oder Besteck aus oder mit Metall, Aluminiumfolie, Bleikristallglas, temperaturempfindliche Kunststoffe, Holz- oder Metallklammer oder Kabelbinder. Verwenden Sie keine Schalen mit Metallrand oder Plastiktöpfe, wenn der Deckel teilweise entfernt ist. Es besteht Feuergefahr.
- In Bezug auf das Zündrisiko muss man den Prozess des Erhitzens der in Kunststoff- oder Papierbehälter verpackten Lebensmittel beobachten.
- Beim Beobachten irgendeiner Rauchbildung muss man das Gerät ausschalten oder den Stecker aus der Netzsteckdose ziehen und nicht die Tür öffnen, denn dadurch erlischt das Feuer schneller.
- Ohne vorher eingelegte Lebensmittelprodukte darf die Mikrowelle nicht benutzt werden. Das ist sehr gefährlich.
- Nehmen Sie die Mikrowelle nicht in Betrieb, wenn die Tür geöffnet ist, da dies zu einer Energieeinwirkung in Form von Mikrowellenstrahlung führen kann. Ebenso darf an den Sicherheitsblockaden nicht manipuliert und sie nicht abgenommen werden.
- In der Mikrowelle darf man weder Eier in der Schale noch hart gekochte Eier erhitzen, weil sie explodieren können, sogar dann, wenn der Prozess des Erhitzens schon beendet wurde.
- **WARNUNG:** Wenn die Tür oder die Türabdichtungen beschädigt wurden, dürfen Sie die Mikrowelle bis zu ihrer Reparatur durch einen autorisierten Servicetechniker nicht benutzen.
- **WARNUNG:** Irgendwelche Service- oder Reparaturtätigkeiten, die auf der Beseitigung der Schutzschicht gegen die Einwirkung der Mikrowellenstrahlung beruhen und die durch andere Personen als der autorisierte Servicetechniker ausgeführt werden, sind gefährlich.
- **WARNUNG:** Flüssigkeiten oder andere Lebensmittelprodukte dürfen nicht in geschlossenen Behältern, Flaschen (usw.) erhitzt werden, da hierbei Explosionsgefahr besteht.
- **WARNUNG:** Um Verbrennungen zu vermeiden, muss man den Inhalt von Flaschen oder Gläsern mit Nahrungsmitteln für Säuglinge vor dem Gebrauch schütteln oder mischen sowie die Temperatur des Getränkes oder der Speise prüfen.

DE



- **WARNUNG:** Das Erhitzen von Getränken in der Mikrowelle kann zu einem verzögerten heftigen Sieden führen. Beim Tragen des Behälters muss man deshalb vorsichtig sein.
- Das Gerät ist für den freistehenden Gebrauch bestimmt. Die Lüftungsöffnungen des Gerätes dürfen nicht blockiert werden. Die Informationen über die Menge des Raumes rundum das Gerät für eine ausreichende Luftzirkulation finden Sie im Kapitel „Vor Gebrauch“.
- Die Gefäße können durch das erhitze Essen heiß werden. Verwenden Sie Ofenhandschuhe (nicht im Lieferumfang enthalten), um das Lebensmittel aus dem Gerät zu nehmen.
- Die Mikrowelle muss man regelmäßig reinigen und die angesammelten Lebensmittelreste beseitigen.
- Befindet sich die Mikrowelle in keinem sauberen Zustand, dann kann dies zu einer Verschlechterung der Oberflächenbeschaffenheit führen, was wiederum die Lebensdauer des Gerätes negativ beeinflusst und Gefahrensituationen auftreten können.
- Benutzen Sie den Innenraum der Mikrowelle nicht als Lagerfläche. In der Mikrowelle dürfen solche Lebensmittel wie Brot, Kuchen (usw.) nicht aufbewahrt werden.
- Das Gerät ist für die Bedienung durch einen externen Timer oder ein gesondertes Fernsteuersystem nicht geeignet.
- Legen Sie Lebensmittel vorsichtig in die Mikrowelle ein, um eine Beschädigung des Glasdreh Tellers zu vermeiden.
- **Achtung!** Führen und sichern Sie entsprechend das Stromkabel, um ein unbeabsichtigtes Ziehen oder Berühren der erhitzten Fläche zu vermeiden.
- Reinigen Sie das Gerät nicht mit Wasser. Beim Waschen des Geräts kann Wasser in den elektrischen Teil gelangen und so zu einem Stromschlag führen.
- Reinigen und stellen Sie das Gerät nicht am Lagerort ab, bis es nicht völlig abgekühlt ist.
- Die Teile des Geräts dürfen in der Spülmaschine nicht gereinigt werden.

Verwendungszweck des Gerätes

- Dieses Gerät ist für den Buffet- und Haushaltsgebrauch bestimmt.
- Die Mikrowelle ist nur zum Erwärmen und Auftauen von Lebensmitteln mit entsprechendem mikrowellen-geeigneten Geschirrtteilen bestimmt. Jede andere Verwendung kann zur Beschädigung der Mikrowelle oder zu Personenschäden führen.
- Jede andere Verwendung des Gerätes gilt als nicht bestimmungsgemäß. Der Benutzer ist allein verantwortlich für die unsachgemäße Nutzung des Gerätes.

Montage der Erdung

Der Induktionskocher ist ein Gerät der I. Schutzklasse und erfordert eine Erdung. Die Erdung verringert das Risiko eines elektrischen Stromschlags, da über einen Leiter der elektrische Strom abgeleitet wird. Das Gerät

ist mit einem Schutzleiter mit Schutzkontaktstecker ausgerüstet. Der Stecker ist an eine Netzsteckdose anzuschließen, die richtig montiert und geerdet wurde.

Kochgeschirre

Die Verwendung einiger nichtmetallischer Kochgeschirre in der Mikrowelle kann gefährlich sein. Haben Sie Zweifel daran, ob das bestimmte Gefäß in der Mikrowelle verwendet werden kann, können Sie es nach dem folgenden Verfahren testen.

Test des Gefäßes:

Füllen Sie einen in der Mikrowelle zu testende Behälter mit 1 Glas kalten Wasser (ca. 250 ml) und legen Sie das jeweilige Gefäß in die Mikrowelle ein. Erhitzen Sie es für 1 Minute bei maximaler Leistung.

Berühren Sie vorsichtig das getestete Gefäß. Wenn es warm ist, ist es NICHT für die Verwendung in der Mikrowelle geeignet. Erhitzen Sie das Gefäß nicht länger als 1 Minute.

Verzeichnis der Kochgeschirre

Aufgrund des nachfolgenden Verzeichnisses können Sie die entsprechenden Kochgeschirre wählen.

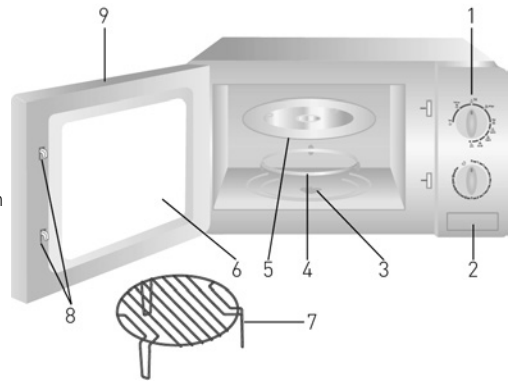
Gefäß	Standardmodus	Grillmodus	Mischmodus	Bemerkungen
Glas, beständig gegen die Einwirkung hoher Temperaturen	√	√	√	
Glas, nicht beständig gegen die Einwirkung hoher Temperaturen	x	x	x	
Keramik, beständig gegen die Einwirkung hoher Temperaturen	√	√	√	
Mikrowelleneignete Gefäße aus Kunststoff	√	x	x	Bei hohen Temperaturen für die Verwendung nicht geeignet
Papierhandtücher	√	x	x	Ausschließlich ein kurzes Erhitzen unter Aufsicht des Nutzers
Metalltablets	x	√	x	Während des Funktionsbetriebes entstehen die Funken.
Metallrost	x	√	x	
Aluminiumfolie und -behälter	x	√	x	
√: Zugelassene Anwendung im jeweiligen Modus. Verwenden Sie das Gerät ausschließlich gemäß der Anleitung des Herstellers; denken Sie daran, dass Sie den Deckel entfernen müssen, wenn das Gefäß ihn besitzt. Wenn die Oberfläche des Gefäßes Risse oder Beschädigungen aufweist, legen Sie es in die Mikrowelle nicht ein. x: Im jeweiligen Modus für die Verwendung nicht geeignet.				

DE



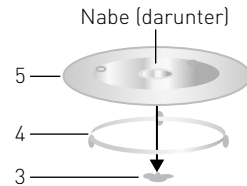
Hauptteile des Gerätes

1. Steuerpanel (siehe Abb. 1)
2. Taste für die Türöffnung
3. Drehtellerwelle
4. Drehelement
5. Glasdreheller
6. Glasfenster
7. Grillrost (für den Gebrauch ausschließlich im Grillmodus)
8. Türschließmechanismus
9. Tür



Montage des Drehtellers

- Stellen Sie den Glasdreheller (5) niemals auf den Kopf.
- Während des Betriebs des Geräts müssen sowohl das Drehelement (4) als auch der Glasdreheller (5) verwendet werden.
- Alle Speisen und Getränke müssen auf den Glasdreheller (5) gelegt werden.
- Bringen Sie das Drehelement (4) und den Glasdreheller (5) senkrecht zur Drehtellerwelle (3) an. Stellen Sie sicher, dass sich das Element und der Teller leicht drehen.
- Reinigen Sie den Drehteller (5) nach jedem Gebrauch.
- Achtung: Verwenden Sie die Mikrowelle NICHT, wenn der Glasdreheller (5) oder das Drehelement (4) Risse oder andere Beschädigungen aufweist - in einem solchen Fall muss man sich sofort mit dem Lieferanten in Verbindung setzen.
- Verwenden Sie nur das Drehelement (4) und den Glasdreheller (5), die mitgeliefert wurden.



DE



Vorbereitungen vor dem erstmaligen Gebrauch

- Entfernen Sie alle Schutz- und sonstigen Verpackungen.
- Vergewissern Sie sich, dass das Gerät unbeschädigt ist. Im Falle einer unvollständigen Lieferung (z.B. Deckel, Frittierkorb und Gitter sind enthalten) oder vorhandenen Schäden, wenden Sie sich an den Lieferanten (siehe ==> Garantie).
- Reinigen Sie das Gerät vor dem Gebrauch (siehe ==> Reinigung und Wartung).
- Es ist auch zu prüfen, ob das Gerät völlig trocken ist.
- Stellen Sie das Gerät auf einer waagerechten, stabilen, trockenen und hitzebeständigen Oberfläche ab.

- Platzieren Sie das Gerät nicht in der Nähe von Geräten, die empfindlich auf Störungen durch magnetische Quellen (z.B. Radios, Tape-Decks usw.) reagieren.

Hinweis: Aufgrund von Herstellungsrückständen kann das Gerät in den ersten Zyklen einen leichten Geruch entwickeln. Dies ist normal und deutet nicht auf einen Fehler oder eine Gefahr hin. Vergewissern Sie sich, dass das Gerät eine gute Belüftung hat. vvoor dat het apparaat goed wordt geventileerd.

Bedienung

- Stellen Sie das Gerät auf eine ebene, stabile, trockene Fläche, die gegen die Einwirkung hoher Temperaturen beständig ist. Um eine richtige Luftzirkulation zu gewährleisten, lassen Sie einen Freiraum rundum das Gerät nach den folgenden Anweisungen:
 - über der Mikrowelle: 20 cm
 - hinter der Mikrowelle: 5 cm
 - auf beiden Seiten der Mikrowelle: 10 cm
- Öffnen Sie die Tür (9) der Mikrowelle, indem Sie die Taste für die Türöffnung (2) drücken.
- Bringen Sie das Drehelement (4) und den Glasdrehteller (5) an der richtigen Stelle an. Die Anbringung der obigen Teile an der nicht richtigen Stelle kann zum Blockieren der Drehung des Tellers (5) führen. (Siehe ==> Montage des Drehtellers).
- Schließen Sie den Stecker an die entsprechende Steckdose an.

Hinweis:

- Legen Sie die Mikrowelle nicht an den Stellen, an denen die Wärme emittiert wird oder die sehr feucht sind, sowie in der Nähe von leichtbrennbaren Materialien.
- Vergewissern Sie sich, dass das Stromkabel nicht beschädigt ist sowie unter der Mikrowelle oder über den scharfen oder erhitzten Oberflächen nicht geführt wurde.
- Das Stromkabel muss an die Steckdose angeschlossen werden, die leicht zugänglich sein muss, damit das Gerät im Notfall sofort getrennt werden kann.
- Achtung: Der Grillrost (7) darf ausschließlich im Grillmodus verwendet werden.
- Der Drehteller (5) sollte in jedem Modus verwendet werden, d.i.: im Standard-, Grill- und Mischmodus.
- Bei der Nutzung des Grillrostes (7) sind die entsprechenden Gefäße zu verwenden, und zwar so, dass sie nicht die Wände des Geräts berühren.
- Legen Sie die Lebensmittel in ein entsprechendes Gefäß und schließen Sie die Tür (9).



Einstellung der Leistung und des Timers:

- Stellen Sie die Leistung des Geräts ein, indem Sie den Drehknopf im Steuerpanel (1) auf die gewählte Leistung drehen. (Standard-, Grill- und Mischmodus).
- Stellen Sie die Betriebszeit (Bereich: 0 Min. ~ 35 Min.) ein, indem Sie den Timer-Drehknopf auf den gewählten Wert drehen.
- Das Mikrowellengerät startet automatisch nach dem Einstellen der Leistung und der Zeit.
- Nach Ablauf der eingestellten Zeit wird ein Signalton emittiert und das Gerät unterbricht den Betrieb.
- Man kann die Lebensmittel aus dem Gerät herausnehmen. Falls notwendig, verwenden Sie Ofenhandschuhe (nicht im Lieferumfang enthalten). Achten Sie auf die heiße Fläche des Geräts.
- Wenn das Gerät nicht verwendet wird, stellen Sie den Timer auf „0“ ein.

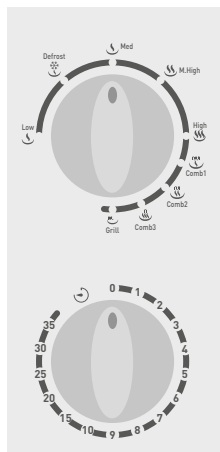


Abb. 1

DE

Funktion	Geschätzte Ausgangsleistung	Verwendung
Niedrige Leistung	120 W	Leichtes Auftauen von Eis
Auftauen	230 W	Aufwärmen von Suppen, Aufweichen von Butter oder Auftauen
Mittlere Leistung	385 W	Zubereitung von Gulasch, Fisch
Mittelhohe Leistung	540 W	Zubereitung von Reis, Fisch, Hähnchen, Hackfleisch
Hohe Leistung	700 W	Aufwärmen von Milch, Gemüse, Kochen von Wasser und Erhitzen anderer Getränke

Hinweis: : Die obige Tabelle bestimmt nur die Ausgangsleistungsstufe des Mikrowellengeräts und nicht die Leistungsstufe des Grills oder die Leistungsaufnahme des Geräts. Die obigen Daten dienen lediglich Informationszwecken.

Funktion	Programm	Verwendung
Mischmodus 1	80% der Zeit: Grillmodus; 20% der Zeit: Standardmodus;	Grillen von Steaks, Hackfleisch, Kebabs, Wurst und Hühnerteilen
Mischmodus 2	70% der Zeit: Grillmodus; 30% der Zeit: Standardmodus	Hühnerteile, Schweinsrücken, Fische
Mischmodus 3	60% der Zeit: Grillmodus; 40% der Zeit: Standardmodus	Puddings, Omelette, gebackene Karotten und anderes Gemüse
Grillmodus	100% der Zeit: Grillmodus	Gebackenes Brot, geschnittene Lebensmittel

Hinweis:

1. Die obige Tabelle stellt das Programm zum Mischen des Standard- und Grillmodus dar.
2. Wenn Sie Lebensmittel aus dem Gerät herausnehmen, stellen Sie sicher, dass das

Gerät ausgeschaltet ist (der Timer ist auf „0“ eingestellt). Andernfalls kann das Gerät während des Herausnehmens der Lebensmittel beschädigt werden.



3. Die obigen Tabellen dienen lediglich Informationszwecken. Die tatsächliche Zeit für die Nahrungszubereitung und die Leistungseinstellung hängt vom gewünschten

Effekt ab. Falls notwendig, ändern Sie manuell die Zeit für die Nahrungszubereitung und die Leistungseinstellung.

Hinweise zur Nahrungszubereitung in der Mikrowelle

- Falls notwendig, kann das Gerät jederzeit während seines Betriebs geöffnet werden, um zum Beispiel die Lebensmittel zu wenden oder umzurühren oder den Zustand ihrer Zubereitung zu überprüfen.
- Um den Prozess der Nahrungszubereitung zu beenden, stellen Sie den Timer-Drehknopf auf „0“ ein.
- Man kann die Lebensmittel aus dem Gerät herausnehmen. Falls notwendig, verwenden Sie Ofenhandschuhe (nicht im Lieferumfang enthalten). Achten Sie auf die heiße Fläche des Geräts.
- Wenn das Gerät nicht verwendet wird, stellen Sie den Timer auf „0“ ein.

Reinigung und Wartung

Hinweis: Vor dem Reinigen und Abstellen des Geräts am Lagerort, ist das Gerät immer von der Netzsteckdose zu trennen und dazu muss man abwarten, bis es abgekühlt ist.

Reinigung

- Tauchen Sie das Gerät nie in Wasser und andere Flüssigkeiten.
- Nach dem Abkühlen der Oberfläche ist sie mit einem feuchten Tuch oder Schwamm mit einer geringen Menge eines milden Reinigungsmittels zu reinigen.
- Verwenden Sie weder aggressive Reinigungsmittel und Scheuerschwämme, noch Schwämme aus Stahlwolle oder Metallgegenstände zur Reinigung des Innenraums und der äußeren Teile des Geräts.
- Der Drehteller (5) kann zur Reinigung herausgenommen werden. Bei der Reinigung des Drehtellers (5) muss man besonders vorsichtig sein, um seine Beschädigung zu vermeiden. Reinigen Sie den Teller mit warmem Seifenwasser.
- Reinigen Sie regelmäßig das Drehelement (4) und den Boden der Mikrowellenkammer aus hygienischen Gründen, und um die richtige Drehung des Elements (4) zu gewährleisten.
- Die Lampe innerhalb der Mikrowellenkammer kann man austauschen, jedoch sollte diese Tätigkeit durch einen qualifizierten Servicetechniker ausgeführt werden.

Lagerung

- Bevor das Gerät am Lagerort abgestellt wird, muss man sich sicherstellen, dass das Gerät von der Netzsteckdose getrennt wurde und völlig abgekühlt ist.
- Lagern Sie das Gerät an einem kühlen, sauberen und trockenen Ort.

DE



Diagnostik

Wenn das Gerät nicht richtig funktioniert, muss man sich zum Finden der richtigen Lösung mit der nachfolgenden Tabelle vertraut machen. Wenn Sie das Problem nicht lösen können, dann setzen Sie sich bitte mit dem Lieferanten in Verbindung.

Problem	Mögliche Ursache	Mögliche Lösung
Das Gerät schaltet sich nicht ein.	<ul style="list-style-type: none">- Der Stecker ist an die Netzsteckdose nicht richtig angeschlossen.- Der Timer ist auf „0“ eingestellt.- Die Tür (9) der Mikrowelle wurde nicht richtig geschlossen.	<ul style="list-style-type: none">- Überprüfen Sie, ob der Stecker an die Netzsteckdose richtig angeschlossen ist.- Stellen Sie den Timer-Drehknopf auf den gewählten Wert ein.- Prüfen, ob die Tür (9) richtig geschlossen ist.
Während des Betriebs des Geräts erzeugt der Glasdrehteller (5) laute Geräusche.	<ul style="list-style-type: none">- Der Glasdrehteller (5) wurde nicht richtig montiert.- Am Boden der Mikrowellenkammer sind die Essensreste geblieben, wodurch die Fläche nicht eben ist.	<ul style="list-style-type: none">- Prüfen Sie, ob der Glasdrehteller (5) richtig montiert wurde.- Reinigen Sie den Boden der Mikrowellenkammer, indem Sie alle Reste entfernen, die die Bewegung des Tellers verhindern.

Technische Spezifikation

Bestellnummer: 281710

Betriebsspannung und -frequenz: 230V~ 50Hz

Mikrowellenfrequenz: 2450 MHz

Nominale Leistungsaufnahme (Standardmodus):
1050 W

Nominale Ausgangsleistung (Standardmodus):
700 W

Nominale Leistungsaufnahme (Grillmodus): 1000 W

Volumen der Kammer der Mikrowelle: 20 Liter

Zeiteinstellbereich des Timers: 0 Min. – 35 Min.

Schutzklasse: Klasse I

Abmessungen : 440 x 330 x (H) 259 mm

DE

Hinweis: Die technische Spezifikation kann ohne Vorankündigung verändert werden.

Garantie

Alle innerhalb von einem Jahr nach dem Kaufdatum festgestellten Defekte oder Mängel, die die Funktionalität des Gerätes beeinträchtigen, werden auf dem Wege der unentgeltlichen Reparatur bzw. des Austausches unter der Voraussetzung beseitigt, dass das Gerät in einer der Bedienungsanleitung gemäßen Art und Weise betrieben und gewartet wird und weder vorsätzlich vernichtet noch nicht bestimmungsgemäß genutzt wurde. Ihre Rechte aus den entsprechenden Gesetzen bleiben davon unberührt. Eine in der

Garantiefrist einzureichende Beanstandung hat die Angabe des Kaufortes und Kaufdatums und in der Anlage einen Kaufbeleg (z.B. Kassenzettel) zu enthalten.

Gemäß unserer Politik der ständigen Weiterentwicklung unserer Produkte behalten wir uns vor, Änderungen am Produkt, an seiner Verpackung und an den dokumentierten technischen Daten ohne vorherige Ankündigung vorzunehmen.



Entsorgung und Umweltschutz

Wird das Gerät außer Betrieb genommen, darf es nicht über den Hausmüll entsorgt werden. Der Benutzer ist für die Übergabe des Gerätes an eine geeignete Sammelstelle für Altgeräte verantwortlich. Die Nichteinhaltung dieser Regel kann gemäß den geltenden Vorschriften über die Abfallentsorgung bestraft werden. Die getrennte Sammlung und das Recycling der Altgeräte trägt zur Schonung der natürlichen Ressourcen bei und sorgt für eine umwelt-

und gesundheitsschonende Verwertungsweise. Weitere Informationen darüber, wo Sie Ihre Altgeräte entsorgen können, erhalten Sie bei Ihrem örtlichen Entsorgungsunternehmen. Der Hersteller und der Importeur übernehmen keine Verantwortung für das Recycling sowie die umweltfreundliche Verwertung von Abfällen, weder direkt noch über ein öffentliches System.



Geachte klant,

Hartelijk dank voor de aankoop van dit Hendi apparaat. Leest u deze gebruiksaanwijzing zorgvuldig voordat u het apparaat gebruikt, dit om schade door verkeerd gebruik te voorkomen. Lees vooral de veiligheidsinstructies aandachtig door.

Veiligheidsinstructies

- Onjuiste bediening en verkeerd gebruik van het apparaat kan ernstige schade aan het apparaat en verwonding van personen tot gevolg hebben.
- Dit apparaat is bedoeld voor buffet en huishoudelijk gebruik.
- Het apparaat mag alleen worden gebruikt voor het doel waarvoor het werd ontworpen. De fabrikant aanvaardt geen enkele aansprakelijkheid voor schade als gevolg van onjuiste bediening en verkeerd gebruik.
- Zorg dat het apparaat en de stekker niet met water of een andere vloeistof in aanraking komen. Mocht het apparaat onverhoopt in het water vallen, trek dan onmiddellijk de stekker uit het stopcontact en laat het apparaat controleren door een erkend vakman. Niet-naleving hiervan kan levensgevaar opleveren.
- Probeer nooit zelf de behuizing van het apparaat te openen.
- Steek geen voorwerpen in de behuizing van het apparaat.
- Raak de stekker niet met natte of vochtige handen aan.
-  **Gevaar van elektrische schokken!** Probeer het apparaat niet zelf te repareren. In het geval van storingen, laat reparaties alleen uitvoeren door gekwalificeerd personeel.
- **Gebruik nooit een beschadigd apparaat!** Als het apparaat is beschadigd, haal de stekker dan uit het stopcontact en neem contact op met de winkel.
- **Waarschuwing!** Dompel de elektrische onderdelen van het apparaat niet onder in water of andere vloeistoffen. Houd het apparaat nooit onder stromend water.
- Controleer de stekker en het netsnoer regelmatig op schade. Als de stekker of het netsnoer is beschadigd, moet het worden vervangen door de technische dienst of een soortgelijk gekwalificeerd persoon om gevaar of letsel te voorkomen.
- Zorg ervoor dat het netsnoer niet in contact komt met scherpe of hete voorwerpen en houd het uit de buurt van open vuur. Als u de stekker uit het stopcontact wilt halen, trek dan altijd aan de stekker en niet aan het netsnoer.
- Zorg ervoor dat niemand per ongeluk aan het netsnoer (of verlengsnoer) kan trekken of kan struikelen over het netsnoer.
- Houd het apparaat in de gaten tijdens gebruik.
- **Waarschuwing!** Zolang de stekker in het stopcontact zit, is het apparaat aangesloten op de voedingsbron.
- Schakel het apparaat uit voordat u de stekker uit het stopcontact trekt.
- Draag het apparaat nooit aan het netsnoer.
- Gebruik geen extra hulpmiddelen die niet worden meegeleverd met het apparaat.
- Sluit het apparaat alleen aan op een stopcontact met de spanning en frequentie

NL



die is vermeld op het typeplaatje.

- Sluit de stekker aan op een stopcontact dat eenvoudig bereikt kan worden, zodat de stekker in geval van nood onmiddellijk uit het stopcontact kan worden getrokken. Trek de stekker volledig uit het stopcontact om het apparaat volledig uit te schakelen. Gebruik de stekker om het apparaat los te koppelen van het lichtnet.
- Schakel het apparaat altijd uit voordat u de stekker uit het stopcontact trekt.
- Gebruik nooit accessoires die niet worden aanbevolen door de fabrikant. Zij kunnen mogelijk een veiligheidsrisico vormen voor de gebruiker en kunnen het apparaat mogelijk beschadigen. Gebruik alleen originele onderdelen en accessoires.
- Dit apparaat is niet geschikt voor gebruik door personen (inclusief kinderen) met een verminderd fysiek, sensorisch of geestelijk vermogen, of gebrek aan ervaring en kennis.
- Dit apparaat mag onder geen enkele omstandigheid worden gebruikt door kinderen.
- Houd het apparaat en het netsnoer buiten bereik van kinderen.
- Kinderen mogen niet met het apparaat spelen.
- Koppel het apparaat altijd los van het lichtnet als het onbeheerd wordt achtergelaten en voordat het apparaat wordt gemonteerd, gedemonteerd of gereinigd.
- Laat het apparaat nooit onbeheerd achter tijdens gebruik.

Speciale veiligheidsvoorschriften

- Dit apparaat is bedoeld voor het opwarmen, ontdooien, grillen en koken van voedsel of drank. Het drogen van voedsel of kleding en het opwarmen van verwarmingskussens, slippers, sponzen, vochtige doeken en gelijksoortige voorwerpen kunnen leiden tot risico op letsel, ontbranding of brand.
- Gebruik het apparaat alleen zoals beschreven in deze handleiding.
- Dit apparaat is bedoeld voor huishoudelijk gebruik en in omgevingen zoals
 - personeelskeukens in winkels, kantoren en andere werkomgevingen;
 - boerderijen;
 - voor gasten in hotels, motels en andere residentiële omgevingen;
 - bed-and-breakfast-accommodatie.
-  **Let op! Heet oppervlak!** De temperatuur van de deur en andere bereikbare oppervlakken is zeer hoog tijdens gebruik. Raak alleen het bedieningspaneel aan.
- Gebruik het apparaat niet als er geen voedsel in de ovenruimte is geplaatst, omdat dit kan leiden tot schade aan het apparaat.
- Gebruik alleen keukengerei dat geschikt is voor gebruik in magnetronovens. Gebruik geen containers of bestek gemaakt van of die volgende materialen bevat: metaal, aluminiumfolie, glaswaar van loodkristal, temperatuur gevoelig kunststof, hout, metalen clips of binddraad. Gebruik geen kommen met gefreesde randen of kunststof pannen met het deksel slechts gedeeltelijk verwijderd. Brandgevaar.
- Als u voedingsmiddelen in kunststof of papieren containers verhit, houd de oven in de gaten vanwege brandgevaar.



- Als rook wordt waargenomen, schakel het apparaat uit of haal de stekker uit het stopcontact en houd de deur gesloten om elke mogelijke vlam te doven.
- Gebruik dit apparaat nooit als er geen voedsel in het apparaat is geplaatst, dit is zeer gevaarlijk.
- Probeer deze magnetron niet te gebruiken indien de deur is geopend, omdat dit kan leiden tot schadelijke blootstelling aan magnetronenergie. Het is belangrijk om de veiligheidsmechanismen niet kapot te maken of te omzeilen.
- Het bereiden van gekookte eieren in de schaal in de magnetron kan ontploffingsgevaar veroorzaken, zelfs nadat de magnetron het opwarmen heeft voltooid.
- **WAARSCHUWING:** Als de deur of de deurekoppelingen beschadigd zijn, mag de oven niet worden gebruikt totdat deze door een gekwalificeerd persoon worden gerepareerd.
- **WAARSCHUWING:** Het is gevaarlijk voor ieder niet gekwalificeerd persoon om reparaties of onderhoud uit te voeren waarbij de plaat, die ons beschermt tegen blootstelling aan magnetronenergie, verwijderd wordt.
- **WAARSCHUWING:** Verwarm geen vloeistoffen of andere voedingsmiddelen in afgesloten containers want deze kunnen ontploffen.
- **WAARSCHUWING:** Roer of schud de inhoud van babypotjes en zuigflessen en de temperatuur moet voor gebruik worden gecontroleerd om brandwonden te voorkomen.
- **WAARSCHUWING:** Het verhitten van dranken in de magnetron kan leiden tot een vertraagd kookproces, wees dus voorzichtig bij het uitnemen van de houder.
- Gebruik het apparaat in een vrijstaande positie. Zorg dat de ventilatieopeningen van de oven niet worden belemmerd. Informatie over de juiste vrije ruimte (boven-/achter-/zijkant) voor voldoende luchtcirculatie kan in de paragraaf "Voor gebruik" worden gevonden.
- Borden kunnen warm worden door het verwarmde voedsel. Gebruik ovenhandschoenen (niet meegeleverd) om het voedsel uit het apparaat te halen.
- De magnetronoven moet regelmatig worden gereinigd en alle voedselresten moeten worden verwijderd.
- Als het apparaat niet in goed wordt onderhouden, kan dit leiden tot een verslechtering van het oppervlak. Het kan het de levensduur van het apparaat negatief beïnvloeden en mogelijk leiden tot een gevaarlijke situatie.
- Gebruik de ovenruimte niet voor het opslaan van voedsel. Bewaar geen voorwerpen als brood, koekjes, etc. in de ovenruimte.
- Deze magnetronoven is niet bedoeld om gebruikt te worden in combinatie met een externe timer of apart afstandsbedieningssysteem.
- Plaats voedsel voorzichtig in de magnetron om schade aan de glazen draaiplaat te voorkomen.
- Let op! Plaats het netsnoer indien nodig op een veilige manier om te voorkomen dat het in contact kon komen met het verwarmingsoppervlak en dat er per ongeluk

aan het netsnoer kan worden getrokken.

- Was het apparaat niet met water. Wassen met water kan lekkage veroorzaken en het risico op elektrische schokken verhogen.
- Niet reinigen of opbergen tenzij het apparaat volledig is afgekoeld.
- een van de onderdelen zijn vaatwasmachinebestendig.

Beoogd gebruik

- Dit apparaat is bedoeld voor buffet en huishoudelijk gebruik.
- De magnetron is ontworpen voor het ontdooien en verwarmen van voedsel, gebruik enkel geschikte borden/bakken. Elk ander gebruik kan leiden tot schade aan de magnetron of persoonlijk letsel.
- Gebruik van het apparaat voor andere doeleinden wordt beschouwd als verkeerd gebruik van het apparaat. De gebruiker is volledig aansprakelijk voor alle risico's die voortvloeien uit verkeerd gebruik van het apparaat.

Installatie met aarding

Dit apparaat is geclassificeerd als beschermingsklasse I en moet worden aangesloten op een aansluiting met aarde. Aarding verlaagt de kans op elektrische schokken doordat elektrische stroom via een ontsnapingsdraad kan

weglopen. Dit apparaat is uitgerust met een snoer met een aardedraad en een geaarde stekker. De stekker moet in een stopcontact worden gestoken dat juist is geïnstalleerd en geaard.

Keukengerei

Er bestaat niet-metalen keukengerei dat niet geschikt is voor gebruik in een magnetron. In geval van twijfel kunt u het keukengerei testen met behulp van de onderstaande procedure.

Test voor keukengerei:

Vul een container die geschikt is voor gebruik in de magnetron met 1 kopje koud water (ca. 250ml) en leg het keukengerei in kwestie erin. Verwarm gedurende 1 minuut met het maximale vermogen. Raak het keukengerei voor-

zichtig aan en voel of het warm is geworden. Als het keukengerei warm is geworden, gebruik het dan NIET in de magnetron. Verwarm het keukengerei niet langer dan 1 minuut.

NL



Keukengeri-gids

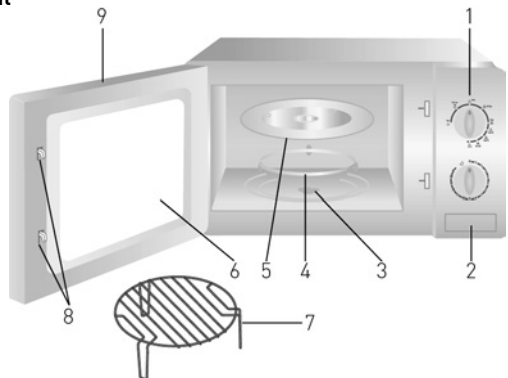
Hieronder vindt u een algemene gids om te helpen geschikt keukengeri te selecteren:

Keukengeri	Magnetron-modus	Grill-modus	Combinatie-modus	Opmerking
Hittebestendig glas	✓	✓	✓	
Niet-hittebestendig glas	x	x	x	
Hittebestendig keramiek	✓	✓	✓	
Magnetronbestendige, kunststof borden	✓	x	x	Niet geschikt voor hoge temperatuur.
Keukenpapier	✓	x	x	Korte duur alleen voor opwarmen. Houd toezicht.
Metalen schaal	x	✓	x	Er ontstaan vonken bij gebruik in magnetronmodus.
Metalen rek	x	✓	x	
Aluminiumfolie en bakjes uit folie	x	✓	x	

✓: Geschikt voor gebruik in bijbehorende modus. Volg de instructies van de fabrikant en verwijder het deksel.
 Gebruik niet indien oppervlak is gebarsten of beschadigd.
 x: Niet geschikt voor gebruik in bijbehorende modus.

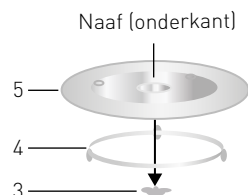
Belangrijkste onderdelen van het apparaat

1. Bedieningspaneel (zie Fig. 1)
2. Knop voor openen deur
3. As draaiplaat
4. Draaiplateau
5. Glazen draaiplaat
6. Glazen venster
7. Grillrek (alleen gebruiken in grillmodus)
8. Deurvergrendelingsmechanisme
9. Deur



Installatie draaiplaat

- Plaats de glazen draaiplaat (5) nooit ondersteboven.
- Zowel het draaiplateau (4) als de glazen draaiplaat (5) moeten worden gebruikt tijdens het koken.
- Alle voedsel en drank moeten op de glazen draaiplaat (5) worden geplaatst om het te koken.
- Plaats het draaiplateau (4) en de glazen draaiplaat (5) samen met de as van de draaiplaat (3) in de magnetron. Zorg ervoor dat ze soepel kunnen draaien.
- Reinig de glazen draaiplaat (5) na elk gebruik.
- Let op: Gebruik de magnetron NIET indien de glazen draaiplaat (5) of t draaiplateau (4) is gebarsten of beschadigd, maar neem onmiddellijk contact op met de leverancier.
- Gebruik alleen het meegeleverde draaiplateau (4) en glazen draaiplaat (5).



Vorbereidingen voor het eerste gebruik

- Verwijder alle verpakkingsmaterialen.
- Controleer of het apparaat niet is beschadigd. Neem in geval van schade of een onvolledige levering contact op met uw leverancier (Zie ==> Garantie).
- Reinig het apparaat vóór gebruik (Zie ==> Reiniging en onderhoud).
- Zorg ervoor dat het apparaat volledig droog is.
- Plaats het apparaat op een horizontaal, stabiel en hittebestendig oppervlak dat bestand is tegen waterspatten.

Bediening

- Plaats de magnetron op een vlakke, stabiele, hittebestendige, droge en horizontale ondergrond. Laat ruimte vrij rond het apparaat voor voldoende ventilatie:
 - boven de magnetron: 20 cm
 - aan de achterkant: 5 cm
 - aan beide zijanten: 10 cm
- Open de magnetrondeur (9) door op de knop voor het openen van de deur (2) te drukken.
- Plaats het draaiplateau (4) en de glazen draaiplaat (5) op de juiste plaats. Als u dit niet doet, kunnen ze niet soepel draaien. (Zie ==> Installatie draaiplaat).
- Steek de stekker in een geschikt stopcontact.

Opmerkingen:

- Plaats de oven niet waar deze aan warmte, vocht of hoge vochtigheid blootgesteld wordt of in de buurt van brandbare materialen.

- Plaats het apparaat niet dicht in de buurt bij apparaten die gevoelig zijn voor storingen veroorzaakt door magnetische bronnen (bijv. radio's, cassettespelers).

Opmerking: Door fabricageresten kan het apparaat de eerste gebruikscyclus een lichte geur afgeven. Dit is normaal en duidt niet op een defect of gevaar. Zorg ervoor dat het apparaat goed wordt geventileerd.

- Zorg dat het netsnoer niet beschadigd is en leg het netsnoer niet onder de oven of op een heet of scherp oppervlak.
- De stekker moet eenvoudig bereikbaar zijn zodat deze in geval van nood snel uit het stopcontact kan worden getrokken.
- Let op: Het grillrek (7) mag alleen worden gebruikt in de grillmodus.
- De glazen draaiplaat (5) moet in alle modi worden gebruikt: In de magnetron-, grill- en combinatiemodus.
- Gebruik geschikte borden als u gebruik maakt van het grillrek (7) en zorg ervoor dat ze de wanden van het apparaat niet aanraken.
- Plaats het voedsel met container in de magnetron en sluit de deur (9).



Het vermogensniveau & de timer instellen:

- Stel het vermogensniveau in door de powerknop naar het gewenste vermogensniveau te draaien op het bedieningspaneel (1). (Magnetron-, combinatie- of grillmodus).
- Stel de kooktijd in (Bereik: 0 min ~ 35 min) door de timerknop naar de gewenste kooktijd te draaien.
- De magnetron start het kookproces automatisch nadat de het vermogensniveau en de kooktijd zijn ingesteld
- Nadat de ingestelde kooktijd is verstreken, klinkt er een bel en is het kookproces voltooid.
- U kunt het voedsel nu uit de magnetron halen. Gebruik ovenhandschoenen indien nodig (niet meegeleverd). Wees voorzichtig met het hete oppervlak.
- Als u het apparaat niet gebruikt, draai de timerknop dan altijd naar de stand "0".

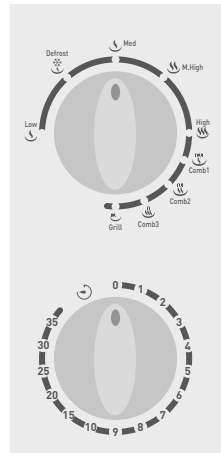


Fig. 1

Functie	Vermogen (ca.)	Toepassing
Low (Laag)	120W	Verzachten ijs
Defrost (Ontdooien)	230W	Soep, verzachten boter of ontdooien
Med (Gem)	385W	Stoofpot, vis
M. High (Gem-Hoog)	540W	Rijst, vis, kip, gehakt
High (Hoog)	700W	Opwarmen melk, groenten, koken van water, drank

Opmerking: De bovenstaande tabel die het vermogen toont is alleen van toepassing op het vermogensniveau in de magnetronmodus en is niet van toepassing op de grillmodus of het stroomverbruik van het apparaat. De tabel dient alleen ter referentie.

Functie	Gebruik	Toepassing
Comb1	80% tijd: grill; 20% tijd: magnetron	Grillen van steaks, gehakt, spiesjes, worst en stukken kip.
Comb2	70% tijd: grill; 30% tijd: magnetron	Stukken kip, varkenskotelet, vis
Comb3	60% tijd: grill; 40% tijd: magnetron	Puddingen, omeletten, gebakken wortelen en groenten
Grill	100% tijd: grill	Gebakken brood, voedsel in plakjes

Opmerking:

1. De bovenstaande tabel toont het gebruik in de combinatie- en grillmodus.
2. Als u voedsel uit de magnetron haalt, zorg er dan voor dat het apparaat is uitgeschakeld door de timerknop naar de stand "0" te draaien. Als u doet niet doet, kan dit leiden tot schade aan het apparaat.
3. De bovenstaande 2 tabellen dienen alleen ter referentie. De daadwerkelijke kooktijd en vermogensinstelling variëren en zijn afhankelijk van het gewenste kookeffect. U kunt de individuele kooktijd en vermogensinstelling indien gewenst handmatig wijzigen.



Kooktips

- Dit apparaat kan tijdens het kookproces op elk gewenst moment worden geopend. Dit kan zelfs nodig zijn, bijvoorbeeld om het voedsel om te draaien of te roeren, of om te controleren of het voedsel goed is gekookt of niet.
- Beëindig het kookproces door de timerknop handmatig naar de stand "0" te draaien.
- U kunt het voedsel nu uit de magnetron halen. Gebruik ovenhandschoenen indien nodig (niet meegeleverd). Wees voorzichtig met het hete oppervlak.
- Als u het apparaat niet gebruikt, zet de timerknop dan altijd in de stand "0".

Reiniging en onderhoud

Let op: Trek de stekker van het apparaat altijd uit het stopcontact en laat het apparaat afkoelen alvorens het apparaat te reinigen & op te bergen.

Reiniging

- Dompel het apparaat nooit onder in water of andere vloeistoffen.
- Reinig het afgekoelde buitenoppervlak met een licht vochtige doek of spons met een milde zeepoplossing.
- Gebruik nooit schuursponsjes of reinigingsmiddelen, staalwol of metalen keukengerei/gereedschap om de onderdelen aan de binnenkant of buitenkant van het apparaat te reinigen.
- De glazen draaiplaat (5) kan worden verwijderd voor reiniging. Wees zeer voorzichtig
- Het draaiplateau (4) en de onderkant van de ovenruimte moeten regelmatig worden gereinigd omwille van hygiënische redenen en om ervoor te zorgen dat het draaiplateau (4) soepel kan blijven draaien.
- De verlichting in de magnetron kan worden vervangen, maar de vervangingsprocedure moet worden uitgevoerd door een gekwalificeerd technicus.

Opslag

- Zorg er voordat u het apparaat opbergt altijd voor dat de stekker van het apparaat uit het stopcontact is getrokken en dat het apparaat volledig is afgekoeld.
- Berg het apparaat op een koele, schone en droge plek op.

Problemen oplossen

Als het apparaat niet naar behoren functioneert, raadpleeg dan de onderstaande tabel voor een oplossing. Als u het probleem nog steeds niet kunt oplossen, neem contact op met de leverancier/dienstverlener.

Problemen	Mogelijke oorzaak	Mogelijke oplossing
Het apparaat schakelt niet in.	<ul style="list-style-type: none">- De stekker is niet juist aangesloten op het stopcontact.- De timerknop staat in de stand "0".- De deur (9) is niet volledig gesloten.	<ul style="list-style-type: none">- Controleer en zorg ervoor dat de stekker juist is aangesloten op het stopcontact.- Stel de timer in op de gewenste kooktijd.- Zorg ervoor dat de deur (9) is gesloten en op zijn plaats is vastgezet.
Glazen draaiplaat (4) maakt geluid tijdens gebruik.	<ul style="list-style-type: none">- De glazen draaiplaat (5) is niet juist geïnstalleerd.- De bodem van de ovenruimte is niet vlak omdat er nog voedselresten aanwezig zijn.	<ul style="list-style-type: none">- Zorg ervoor dat de glazen draaiplaat (5) juist is geïnstalleerd.- Reinig de bodem van de ovenruimte om ervoor te zorgen dat deze vlak is.



Technische specificaties

Itemnr. :281710

Bedrijfsspanning en frequentie: 230V~ 50Hz

Magnetronfrequentie: 2450MHz

Nominaal ingangsvermogen (magnetron):

1050W

Nominaal uitgangsvermogen (magnetron):

700W

Nominaal ingangsvermogen (grill) : 1000W

Ovencapaciteit: 20 liter

Instelling timer: 0 min ~ 35 min

Beschermingsklasse : class I

Afmetingen: 440 x 330 x (H) 259 mm

Opmerking: Technische specificaties onderhevig aan verandering zonder voorafgaande kennisgeving.

Garantie

Elk defect waardoor de werking van het apparaat nadelig wordt beïnvloed dat zich binnen één jaar na aankoop van het apparaat voordoet, wordt gratis hersteld door reparatie of vervanging, mits het apparaat conform de instructies is gebruikt en onderhouden en niet op enigerlei wijze verkeerd is behandeld of misbruikt. Dit laat onverlet uw bij wet bepaalde rechten. Als de garantie van kracht is, vermeld dan waar

en wanneer u het apparaat hebt gekocht en sluit een aankoopbewijs bij (bijv. kassabon of factuur).

Gezien ons streven naar voortdurende verdere productontwikkeling behouden wij ons het recht voor, zonder voorafgaande kennisgeving wijzigingen aan te brengen aan product, verpakking en documentatie.

Verwijdering & milieu

Bij de buitengebruikstelling van het apparaat, mag het niet met het overige huisafval worden verwijderd. In plaats daarvan is het uw verantwoordelijkheid om uw afgedankte apparatuur in te leveren bij een daartoe aangewezen inzamelpunt. Het niet opvolgen van deze regel kan worden bestraft in overeenstemming met de geldende voorschriften voor afvalverwerking. De gescheiden inzameling en recycling van uw afgedankte apparatuur ten tijde van buitengebruikstelling helpt bij de instandhouding

van natuurlijke hulpbronnen en waarborgt dat de apparatuur wordt gerecycled op een manier die de volksgezondheid en het milieu beschermt. Voor meer informatie over waar u uw afval kunt inleveren voor recycling kunt u contact opnemen met uw lokale afvalverwerkingsbedrijf. De fabrikant en importeurs nemen geen verantwoordelijkheid voor de recycling, behandeling en ecologische verwijdering, hetzij rechtstreeks of via een openbaar systeem.


NL



Szanowny Kliencie,

Dziękujemy za zakup urządzenia firmy Hendi. Prosimy o uważne zapoznanie się z niniejszą instrukcją przed podłączeniem urządzenia, aby uniknąć uszkodzeń spowodowanych niewłaściwą obsługą. Należy zwrócić szczególną uwagę na zasady bezpieczeństwa.

WAŻNE ZASADY BEZPIECZEŃSTWA


- Nieprawidłowa obsługa i niewłaściwe użycie mogą spowodować poważne uszkodzenie urządzenia lub zranienie osób.
- Urządzenie przeznaczone do bufetu oraz do użytku domowego.
- Urządzenie stosuj wyłącznie zgodnie z przeznaczeniem. Producent i/lub Sprzedawca nie ponosi żadnej odpowiedzialności za szkody spowodowane nieprawidłową obsługą i niewłaściwym użytkowaniem urządzenia.
- W czasie użycia zabezpiecz urządzenie i wtyczkę kabla zasilającego przed kontaktem z wodą lub innymi płynami. W mało prawdopodobnym przypadku zanurzenia urządzenia w wodzie, natychmiast wyciągnij wtyczkę z kontaktu, a następnie zleć kontrolę urządzenia specjalistom. Nieprzestrzeganie tej instrukcji może spowodować zagrożenie życia.
- Nigdy nie otwieraj samodzielnie obudowy urządzenia.
- Nie wtykaj żadnych przedmiotów w obudowę urządzenia.
- Nie dotykaj wtyczki kabla zasilającego wilgotnymi rękami.
-  **Ryzyko porażenia prądem!** Regularnie kontroluj stan wtyczki i kabla. W przypadku wykrycia uszkodzenia wtyczki lub kabla, zleć naprawę w wyspecjalizowanym punkcie naprawczym.
- **Nigdy nie używaj uszkodzonego urządzenia!** W przypadku, gdy urządzenie spadnie lub ulegnie uszkodzeniu w inny sposób, przed dalszym użyciem zawsze zleć przeprowadzenie kontroli i ewentualną naprawę w wyspecjalizowanym punkcie naprawczym.
- **Ostrzeżenie!** Nie zanurzaj elektrycznych części urządzenia w wodzie lub w innych płynach. Nigdy nie trzymaj urządzenia pod bieżącą wodą.
- Nigdy nie naprawiaj urządzenia samodzielnie może to spowodować zagrożenie życia.
- Chroń kabel zasilający przed kontaktem z ostrymi lub gorącymi przedmiotami i chroń go przed otwartym ogniem. Jeżeli chcesz odłączyć urządzenie z kontaktu, zawsze chwytaj za wtyczkę, nigdy nie ciągnij za kabel.
- Zabezpiecz kabel (lub przedłużacz), aby nikt przez omyłkę nie wyciągnął go z kontaktu ani się o niego nie potknął.
- Urządzenie powinno być używane tylko do celów, dla których zostały pierwotnie zaprojektowane.
- Kontroluj funkcjonowanie urządzenia w czasie użytkowania.
- Dzieci nie uświadamiają sobie zagrożeń, jakie może spowodować użycie urządzeń elektrycznych. Nigdy nie pozwalaj dzieciom postugiwać się elektrycznymi urządzeniami gospodarstwa domowego bez nadzoru.

PL



- Gdy urządzenie nie jest używane oraz zawsze przed czyszczeniem, odłącz je od źródła zasilania, wyciągając wtyczkę z kontaktu.
- **Uwaga!** Jeżeli wtyczka kabla zasilającego jest podłączona do kontaktu, urządzenie cały czas pozostaje pod napięciem.
- Wyłącz urządzenie, zanim wyciągniesz wtyczkę z kontaktu.
- Nigdy nie przenoś urządzenia za kabel zasilający.
- Nie używaj akcesoriów innych niż dostarczone z urządzeniem.
- Urządzenie można podłączać wyłącznie do gniazda o napięciu i częstotliwości zgodnej z danymi znajdującymi się na tabliczce znamionowej.
- Unikaj przeciążenia.
- Po użyciu wyłącz urządzenie wyjmując wtyczkę z gniazda.
- Instalacja elektryczna musi odpowiadać krajowym i lokalnym przepisom.
- Z urządzenia nie mogą korzystać osoby (także dzieci), u których stwierdzono osłabione zdolności fizyczne, sensoryczne lub umysłowe, albo którym brakuje odpowiedniej wiedzy i doświadczenia, chyba że odbywa się to pod nadzorem lub zgodnie z instrukcjami osoby odpowiedzialnej za ich bezpieczeństwo.

Speciale veiligheidsvoorschriften

- Urządzenie przeznaczone jest wyłącznie do podgrzewania, rozmrażania, grillowania i gotowania żywności i napojów. Suszenie żywności lub odzieży oraz podgrzewanie poduszek rozgrzewających, kapti, gąbek, wilgotnych ścierek itp. może prowadzić do powstania obrażeń ciała lub pożaru.
- Korzystaj z urządzenia wyłącznie zgodnie z niniejszą instrukcją.
- Urządzenie przeznaczone jest do użytku w gospodarstwach domowych oraz w następujących miejscach:
 - kuchnie dla pracowników w sklepach, biurach i innych miejscach pracy;
 - gospodarstwa rolne;
 - kuchnie przeznaczone do użytku gości w hotelach, motelach i innych obszarach mieszkalnych;
 - hotele typu „bed and breakfast”.
-  **Uwaga! Gorąca powierzchnia!** Podczas pracy urządzenia drzwiczki oraz pozostałe dostępne powierzchnie nagrzewają się do bardzo wysokich temperatur. Dotykaj wyłącznie panelu sterowania.
- Nie uruchamiaj urządzenia przed umieszczeniem we wnętrzu kuchenki żywności, ponieważ może to doprowadzić do jej uszkodzenia.
- Do przygotowywania potraw w urządzeniu należy używać wyłącznie naczyń nadających się do stosowania w kuchenkach mikrofalowych. Nie używaj naczyń ani sztućców zrobionych z lub zawierających metal, folię aluminiową, szkło ołowiowe (kryształ), tworzywa sztuczne nieodporne na działanie wysokich temperatur, metalowe lub drewniane zapinki lub druciane opaski. Nie używaj misek z metalowym brzegiem ani misek plastikowych z częściowo zdjętym wieczkiem. Niebezpieczeństwo powstania ognia.

- Ze względu na ryzyko zapłonu, obserwuj proces podgrzewania żywności zapakowanej w plastikowe lub papierowe pojemniki.
- W przypadku zauważenia dymu, wyłącz urządzenie lub wyjmij wtyczkę z kontaktu i nie otwieraj drzwiczek. Pozwoli to szybciej ugasić ogień.
- Nie uruchamiaj kuchenki mikrofalowej, jeśli nie są w niej umieszczone produkty spożywcze. Jest to bardzo niebezpieczne.
- Nie uruchamiaj kuchenki mikrofalowej, jeśli drzwiczki są otwarte, ponieważ może to prowadzić do narażenia na działanie energii w postaci promieniowania mikrofalowego. Nie zdejmuj ani nie manipuluj przy blokadach bezpieczeństwa.
- Nie podgrzewaj w kuchenke mikrofalowej jajek w skorupkach ani jajek ugotowanych na twardo, ponieważ mogą one eksplodować, nawet jeśli proces podgrzewania został zakończony.
- **OSTRZEŻENIE:** Jeśli drzwiczki lub uszczelki drzwiowe uległy uszkodzeniu, nie korzystaj z kuchenki mikrofalowej do momentu naprawienia ich przez autoryzowanego pracownika serwisu.
- **OSTRZEŻENIE:** Niebezpieczne jest wykonywanie jakichkolwiek czynności serwisowych lub naprawczych, polegających na usunięciu pokrywy chroniącej przed narażeniem na działanie promieniowania mikrofalowego, przez osoby inne niż autoryzowany pracownik serwisu.
- **OSTRZEŻENIE:** Nie podgrzewaj w kuchenke mikrofalowej płynów ani innych produktów spożywczych w zamkniętych pojemnikach, butelkach itp., ponieważ grozi to eksplozją pojemnika, butelki itp.
- **OSTRZEŻENIE:** W celu uniknięcia poparzeń, zawartość butelek lub słoiczków z żywnością dla niemowląt wstrząśnij lub wymieszaj przed spożyciem oraz sprawdź temperaturę napoju lub pokarmu.
- **OSTRZEŻENIE:** Podgrzewanie napojów w kuchenke mikrofalowej może prowadzić do opóźnionego gwałtownego wrzenia. Zachowaj ostrożność podczas przenoszenia pojemnika.
- Urządzenie nie powinno być umieszczane w zabudowie. Nie blokuj otworów wentylacyjnych urządzenia. Informacje o ilości przestrzeni wokół urządzenia, jaką należy pozostawić w celu zapewnienia właściwego przepływu powietrza, znajdują się w sekcji „Przed użyciem”.
- Naczynia mogą się nagrzać w kontakcie z gorącą żywnością. By wyjąć żywność w urządzenia, użyj rękawic kuchennych (niedotoczonych do urządzenia).
- Regularnie czyść urządzenie i usuwaj pozostałości żywności z komory gotowania.
- Nieutrzymanie kuchenki w czystości może prowadzić do pogorszenia stanu powierzchni, co z kolei może negatywnie wpłynąć na żywotność urządzenia i prowadzić do wystąpienia sytuacji niebezpiecznej.
- Niewykorzystuj komory kuchenki mikrofalowej jako przestrzeni do przechowywania. W kuchenke mikrofalowej nie przechowuj produktów spożywczych takich jak chleb, ciastka itp.



- Urządzenie nie jest przystosowane do obsługi za pomocą zewnętrznego timera lub oddzielnego systemu zdalnego sterowania.
- Zachowaj ostrożność podczas umieszczania żywności w kuchence, aby uniknąć uszkodzenia talerza obrotowego.
- **Uwaga!** Odpowiednio poprowadź i zabezpiecz przewód zasilający, aby zapobiec przypadkowemu pociągnięciu lub kontaktowi z nagrzaną powierzchnią.
- Nie czyść urządzenia wodą. Mycie urządzenia może spowodować przedostanie się wody do części elektrycznych i doprowadzić do porażenia prądem.
- Nie czyść ani nie umieszczaj urządzenia w miejscu przechowywania, zanim całkowicie nie ostygnie.
- Części urządzenia nie mogą być myte w zmywarce.

PRZEZNACZENIE

- Urządzenie przeznaczone do bufetu oraz do użytku domowego.
- Urządzenie przeznaczone jest wyłącznie do podgrzewania i rozmrażania żywności w naczyniach przystosowanych do użytku w kuchenkach mikrofalowych. Każde inne użycie może prowadzić do poważnego uszkodzenia urządzenia lub zranienia osób.
- Wykorzystanie urządzenia w jakimkolwiek innym celu uznane będzie za wykorzystanie niezgodne z przeznaczeniem. Użytkownik będzie wyłącznie odpowiedzialny za nieprawidłowe wykorzystanie urządzenia.

PL

Montaż uziemienia

Kuchenka jest urządzeniem I klasy ochronności i wymaga uziemienia. Uziemienie zmniejsza ryzyko porażenia prądem, dzięki zastosowaniu przewodu odprowadzającego prąd elektryczny. Kuchenka wyposażona jest w przewód z uzie-

mieniem z wtykiem uziemiającym. Wtyczka musi zostać podłączona do gniazdka sieciowego, które zostało odpowiednio zamontowane i uziemione.

Naczynia

Stosowanie w kuchence mikrofalowej pewnych naczyń niemetalowych może być niebezpieczne. W przypadku wątpliwości, czy dane naczynie może być użyte w kuchence mikrofalowej, można przeprowadzić jego test zgodnie z poniższą instrukcją:

Test naczynia:

Napetnij pojemnik, który chcesz przetestować w kuchence mikrofalowej, 1 szklanką (250 ml) zimnej wody i włóż dane naczynie do komory kuchenki. Podgrzewaj przez 1 minutę z zastosowaniem największej mocy.

Ostrożnie dotknij testowanego naczynia. Jeśli naczynie jest ciepłe, NIE nadaje się ono do stosowania w kuchence mikrofalowej. Nie podgrzewaj naczynia dłużej niż 1 minutę.



Wykaz naczyń kuchennych

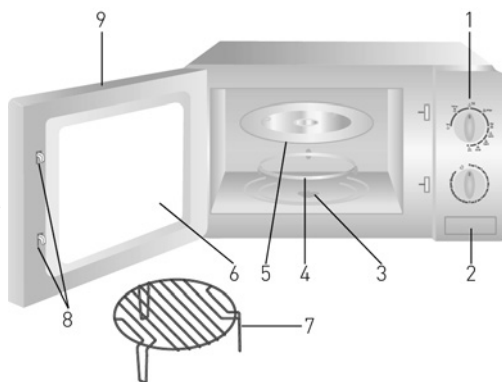
Poniższy wykaz pozwoli wybrać odpowiednie naczynia kuchenne:

Naczynie kuchenne	Tryb standardowy	Tryb grilla	Tryb tężony	Uwagi
Sztko odporne na działanie wysokich temperatur	√	√	√	
Sztko nieodporne na działanie wysokich temperatur	x	x	x	
Ceramika odporna na działanie wysokich temperatur	√	√	√	
Naczynia z tworzywa sztucznego odpowiednie do stosowania w kuchenkach mikrofalowych	√	x	x	Nieodpowiednie do stosowania w przypadku wysokich temperatur
Ręczniki papierowe	√	x	x	Wyłącznie krótkie podgrzewanie pod nadzorem użytkownika.
Metalowe tacki	x	√	x	Podczas pracy urządzenia pojawia się iskrzenie.
Metalowy stojak	x	√	x	
Folia aluminiowa i aluminiowe pojemniki	x	√	x	

√: Dopuszczalne użytkowanie w podanym trybie. Korzystaj wyłącznie zgodnie z instrukcją producenta; pamiętaj o zdjęciu wieczka, jeśli dane naczynie je posiada. Jeśli powierzchnia naczynia jest pęknięta lub uszkodzona, nie wkładaj go do kuchenki.
x: Nie nadaje się do użytkowania w danym trybie.

Główne części urządzenia

1. Panel sterowania (Patrz Rys. 1)
2. Przycisk otwarcia drzwi
3. Wał talerza obrotowego
4. Element obrotowy
5. Szklany talerz obrotowy
6. Szklane okienko
7. Stojak do grillowania (do użytku wyłącznie w trybie grilla)
8. Mechanizm zamknięcia drzwiczek
9. Drzwiczki

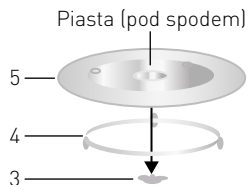


PL



Montaż talerza obrotowego

- Nigdy nie umieszczaj talerza obrotowego (5) dnem do góry.
- Podczas pracy urządzenia, w kuchenke musi zostać umieszczony zarówno element obrotowy (4), jak i talerz (5).
- Żywność oraz napoje umieść na szklanym talerzu obrotowym (5).
- Ustaw element obrotowy (4) oraz talerz obrotowy (5) prostopadle w stosunku do wału talerza obrotowego (3). Upewnij się, czy element i talerz obracają się płynnie.
- Po każdym użyciu umyj talerz obrotowy (5).
- **Uwaga:** NIE używaj kuchenki mikrofalowej, jeśli talerz obrotowy (5) lub element obrotowy (4) pęknie lub zostanie w inny sposób uszkodzony - w takim przypadku należy natychmiast skontaktować się z dostawcą.
- Korzystaj jedynie z elementu obrotowego (4) i szklanego talerza obrotowego (5) dotychczas do urządzenia.



Przed pierwszym użyciem

- Zdejmij i usuń opakowanie i zabezpieczenia.
- Sprawdź, czy urządzenie nie jest nieuszkodzone. W przypadku niepełnej dostawy lub uszkodzeń skontaktuj się z dostawcą (patrz ==> Gwarancja).
- Wyczyść urządzenie (patrz ==> Czyszczenie i konserwacja).
- Sprawdź, czy urządzenie jest całkowicie suche.
- Umieść urządzenie na poziomej stabilnej powierzchni, odpornej na działanie wysokich temperatur i rozbrzygni płynów.

- Nie umieszczaj urządzenia w pobliżu przedmiotów, które są wrażliwe na zaburzenia wywołane emisją promieniowania magnetycznego (np. odbiorniki radiowe, magnetofony kasetowe).

Uwaga: Ze względu na pozostałości z procesu produkcyjnego, podczas kilku pierwszych uruchomień z urządzenia może wydobywać się słaby, specyficzny zapach. Jest to zjawisko normalne i nie świadczy o uszkodzeniu urządzenia ani zagrożeniu dla użytkownika. Upewnij się, czy urządzenie jest dobrze wentylowane.

Obsługa

- Umieść kuchenkę mikrofalową na płaskiej, stabilnej, suchej poziomej powierzchni odpornej na działanie wysokich temperatur. W celu zapewnienia właściwego przepływu powietrza, pozostaw wokół urządzenia wolną przestrzeń według następujących instrukcji:
 - nad kuchenką: 20 cm
 - za kuchenką: 5 cm
 - po bokach kuchenki: 10 cm
- Otwórz drzwiczki kuchenki mikrofalowej (9), wciskając przycisk otwarcia drzwi (2).

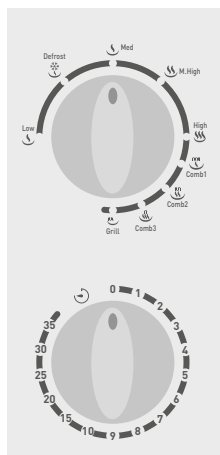
- Umieść element obrotowy (4) i szklany talerz obrotowy (5) we właściwej pozycji. Umieszczenie powyższych części w niewłaściwej pozycji skutkować będzie zablokowaniem obrotu talerza (5). (Patrz ==> Montaż talerza obrotowego).
- Podłącz wtyczkę do odpowiedniego gniazdka elektrycznego.

Uwaga:

- Nie umieszczaj kuchenki mikrofalowej w miejscach, w których emitowane jest ciepło lub które są bardzo wilgotne, jak również w pobliżu materiałów łatwopalnych.
- Upewnij się, że kabel zasilający nie jest uszkodzony, nie został przeprowadzony pod kuchenką lub nad powierzchniami ostrymi bądź nagrzanymi.
- Kabel zasilający musi zostać podłączony do gniazdka elektrycznego, do którego dostęp nie jest utrudniony, tak, by w przypadku awarii urządzenie mogło zostać natychmiast odłączone z zasilania.
- Uwaga: Stojak do grillowania (7) może być wykorzystywany wyłącznie w trybie grilla.
- Talerz obrotowy (5) powinien być używany w każdym trybie: Trybie standardowym, trybie grilla i trybie tączonym.
- Podczas korzystania ze stojaka do grillowania (7) użyj odpowiednich naczyń, tak by nie dotykało ono ścian urządzenia.
- Umieść żywność w odpowiednim naczyniu i zamknij drzwiczki (9).

Ustawienie poziomu mocy i timera:

- Ustaw moc urządzenia poprzez obrócenie pokrętki znajdującego się na panelu sterowania (1) na wybraną moc. (Tryb standardowy, grilla i tączony).
- Ustaw czas pracy (zakres: 0 min ~ 35 min), obracając pokrętkę timera na wybraną wartość.
- Kuchenka automatycznie rozpocznie pracę po ustawieniu mocy i czasu.
- Po upływie wyznaczonego czasu rozlegnie się sygnał dźwiękowy i urządzenie przerwie pracę.
- Żywność można wyjąć z urządzenia. Jeśli to konieczne, użyj rękawic kuchennych (nieodłączonych do urządzenia). Uważaj na gorącą powierzchnię urządzenia.
- Jeśli urządzenie nie jest użytkowane, ustaw timer na wartość „0”.



Rys. 1

PL

Funkcja	Szacunkowa moc wyjściowa	Zastosowanie
Niska moc	120 W	Lekkie rozmrożenie lodów
Rozmrażanie	230 W	Podgrzanie zupy, zmiękczenie masła lub rozmrażanie
Średnia moc	385 W	Przygotowanie gulaszu, ryby
Moc średniowysoka	540 W	Przygotowanie ryżu, ryby, kurczaka, mięsa mielonego
Moc wysoka	700 W	Odgrzewanie mleka, warzyw, gotowanie wody, podgrzanie innych napojów

Uwaga: Powyższa tabela określa jedynie poziomy mocy wyjściowej kuchenki mikrofalowej, nie poziom mocy grilla ani pobór mocy urządzenia. Powyższe dane mają wyłącznie charakter wyłącznie informacyjny.



Funkcja	Program	Zastosowanie
Tryb tączony 1	80% czasu: tryb grilla; 20% czasu: tryb standardowy;	Grillowanie steków, mięsa mielonego, kebabów, kielbasek i części kurczaka.
Tryb tączony 2	70% czasu: tryb grilla; 30% czasu: tryb standardowy;	Części kurczaka, schab, ryby
Tryb tączony 3	60% czasu: tryb grilla; 40% czasu: tryb standardowy;	Puddingi, omlety, pieczona marchewka i inne warzywa
Tryb grilla	100% czasu: tryb grilla;	100% czasu: tryb grilla;

Uwaga:

1. Powyższa tabela przedstawia program tączenia trybu standardowego i trybu grilla.
2. Przed wyjęciem żywności z kuchenki upewnij się, że urządzenie jest wyłączone (timer ustawiony na wartość „0”). W przeciwnym przypadku, podczas wyjmowania żywności urządzenie może zostać uszkodzone.
3. Powyższe tabele mają charakter wyłącznie informacyjny. Rzeczywisty czas przygotowania żywności i ustawienia mocy zależą od pożądanego efektu przygotowania żywności w kuchence. Jeśli to konieczne, zmień czas przygotowania żywności i ustawienia mocy ręcznie.

Wskazówki dotyczące przygotowania żywności w kuchence

- Jeśli to konieczne, urządzenie można otworzyć w dowolnym momencie podczas jego pracy w celu np. obrócenia lub zamieszania żywności lub sprawdzenia stanu jej przygotowania.
- Aby zakończyć proces przygotowania żywności, ustaw pokrętko timera w pozycji „0”.
- Żywność można wyjąć z urządzenia. Jeśli to konieczne, użyj rękawic kuchennych (niedotączonych do urządzenia). Uważaj na gorącą powierzchnię urządzenia.
- Jeśli urządzenie nie jest użytkowane, ustaw timer na wartość „0”.

PL

Czyszczenie i konserwacja

Uwaga: Przed rozpoczęciem czyszczenia i umieszczeniem urządzenia w miejscu przechowywania, zawsze odłącz urządzenie od gniazdka sieciowego i odczekaj, aż kuchenka ostygnie.

Czyszczenie

- Nigdy nie zanurzaj urządzenia w wodzie oraz innych płynach.
- Po ostygnięciu powierzchni zewnętrznej oczyść ją przy pomocy wilgotnej ściereczki lub gąbki, z niewielką ilością łagodnego roztworu środka myjącego.
- Do czyszczenia wnętrza i zewnętrznych części urządzenia nigdy nie używaj szorstkich gąbek ani żrących detergentów, jak również gąbek z wetny stalowej lub przyrządów metalowych.
- Jeśli to konieczne, urządzenie można otworzyć w dowolnym momencie podczas jego pracy w celu np. obrócenia lub zamieszania żywności lub sprawdzenia stanu jej przygotowania.
- Aby zakończyć proces przygotowania żywności, ustaw pokrętko timera w pozycji „0”.
- Żywność można wyjąć z urządzenia. Jeśli to konieczne, użyj rękawic kuchennych (niedotączonych do urządzenia). Uważaj na gorącą powierzchnię urządzenia.
- Jeśli urządzenie nie jest użytkowane, ustaw timer na wartość „0”.



Przechowywanie

- Przed umieszczeniem w miejscu przechowywania, zawsze upewnij się, czy urządzenie zostało odłączone od gniazdka sieciowego i całkowicie ostygło.
- Przechowuj urządzenie w chłodnym, czystym i suchym miejscu.

Diagnostyka

Jeśli urządzenie nie działa prawidłowo, zapoznaj się z poniższą tabelą w celu znalezienia prawidłowego rozwiązania. Jeśli nadal nie możesz rozwiązać problemu, skontaktuj się z dostawcą.

Problem	Możliwa przyczyna	Możliwe rozwiązanie
Urządzenie nie włącza się.	<ul style="list-style-type: none">- Wtyczka nie jest prawidłowo podłączona do gniazdka sieciowego.- Timer jest ustawiony na wartość „0”.- Drzwiczki kuchenki [9] nie zostały prawidłowo zamknięte.	<ul style="list-style-type: none">- Sprawdź, czy wtyczka jest prawidłowo podłączona do gniazdka sieciowego.- Ustaw pokrętko timera na wybranej wartości.- Upewnij się, że drzwiczki [9] są prawidłowo zamknięte.
Podczas pracy urządzenia szklany talerz obrotowy [5] wydaje głośne dźwięki.	<ul style="list-style-type: none">- Szklany talerz obrotowy [5] nie został prawidłowo zamontowany.- Na dnie komory kuchenki pozostały resztki jedzenia, przez co powierzchnia nie jest płaska.	<ul style="list-style-type: none">- Upewnij się, że szklany talerz obrotowy [5] został prawidłowo zamontowany.- Wyczyść dno komory kuchenki z wszelkich pozostałości utrudniających ruch talerza.

Specyfikacja techniczna

Numer produktu: 281710

Napięcie robocze i częstotliwość: 230V~ 50Hz

Częstotliwość mikrofal: 2450 MHz

Znamionowy pobór mocy (tryb standardowy): 1050 W

Znamionowa moc wyjściowa (tryb standardowy): 700 W

Znamionowy pobór mocy (tryb grilla): 1000 W

Pojemność komory kuchenki: 20 litrów

Zakres ustawienia czasu timera:

0 min ~ 35 min

Klasa ochronności: Klasa I

Wymiary: 440 x 330 x (H) 259 mm

PL

Uwaga: Specyfikacja techniczna może ulec zmianie bez uprzedzenia.

Gwarancja

Każda usterka powodująca złe funkcjonowanie urządzenia, która ujawni się w ciągu jednego roku od zakupu, zostanie bezpłatnie usunięta lub urządzenie zostanie wymienione na inne, pod warunkiem, że było użytkowane i konserwowane zgodnie z instrukcją obsługi i nie było wykorzystywane do innych celów lub w jakikolwiek inny niewłaściwy sposób. Nie narusza to innych praw użytkownika, wynikających z przepisów prawa. W przypadku korzystania z

gwarancji, należy podać miejsce i czas zakupu urządzenia, dotychczas do niego dowód zakupu (np. paragon).

Zgodnie z naszą polityką ciągłego udoskonalania produktów zastrzegamy sobie prawo do wprowadzania zmian w produkcie, opakowaniu oraz specyfikacjach zawartych w dokumentacji bez uprzedniego powiadomienia.



Wycofanie z użytkowania i ochrona środowiska

Pamiętaj!

Nie wyrzucaj zużytego sprzętu łącznie z innymi odpadami

Nie demontuj zużytych urządzeń zawierających niebezpieczne składniki na własną rękę!

Groźą Ci za to kary grzywny!

Po zakończeniu eksploatacji produktu nie wolno gromadzić razem z odpadami komunalnymi, tylko należy odstawić do punktu odbioru odpadów elektrycznych i elektronicznych. Użytkownik ponosi odpowiedzialność za przekazanie wycofanego z użytkowania urządzenia do punktu gospodarowania odpadami. Nieprzestrzeganie tej zasady może być karane zgodnie z lokalnie obowiązującymi przepisami dotyczącymi gospodarowania odpadami. Jeśli urządzenie wycofane z użytkowania jest poprawnie odebrane jako osobny odpad, może zostać przetworzone i zutylicowane w sposób przyjazny dla środowiska, co zmniejsza negatywny wpływ na środowisko i zdrowie ludzi. Aby uzyskać więcej informacji dotyczących dostępnych usług w zakresie odbioru odpadów, należy skontaktować się z lokalną firmą odbierającą odpady.



Symbol przekreślonego kosza na śmieci oznacza, że tego produktu nie wolno wyrzucać do zwykłych pojemników na odpady.

Zużyte urządzenia elektryczne i elektroniczne mogą zawierać niebezpieczne składniki np. rtęć, ołów, kadm lub freon. Jeśli tego typu substancje przedostaną się w sposób niekontrolowany do środowiska, spowodują skażenie wody i gleby, a także wpłyną niekorzystnie na zdrowie ludzi i zwierząt.


Właściwe postępowanie ze zużytym sprzętem zapobiega potencjalnym negatywnym konsekwencjom dla środowiska naturalnego i ludzkiego zdrowia.

Jednocześnie oszczędzamy naturalne zasoby naszej Ziemi wykorzystując powtórnie surowce uzyskane z przetwarzania sprzętu.

Cher client,

Merci d'avoir acheté cet appareil de HENDI. Veuillez lire attentivement ce mode d'emploi avant de brancher l'appareil afin d'éviter tout endommagement pour cause d'usage abusif. Veuillez notamment lire les consignes de sécurité avec la plus grande attention.

Règles de sécurité

- L'utilisation abusive et le maniement incorrect de l'appareil peuvent entraîner une grave détérioration de l'appareil ou provoquer des blessures.
- Cet appareil est destiné pour des buffets et à un usage domestique.
- L'appareil doit être utilisé uniquement pour le but il a été conçu. Le fabricant décline toute responsabilité en cas de dommage consécutif à un usage abusif ou un maniement incorrect.
- Veuillez à tenir l'appareil et la prise électrique hors de portée de l'eau ou de tout autre liquide. Si malencontreusement l'appareil tombe dans l'eau, débranchez immédiatement la prise électrique et faites contrôler l'appareil par un réparateur agréé. La non-observation de cette consigne entraîne un risque d'accident mortel.
- Ne tentez jamais de démonter vous-même le bâti de l'appareil.
- N'enfoncez aucun objet dans la carcasse de l'appareil.
- Ne touchez pas la prise avec les mains mouillées ou humides.
-  **Risque d'électrocution!** Ne tentez jamais de réparer l'appareil. Tous défauts et dysfonctionnement doivent être supprimés par le personnel qualifié.
- **N'utilisez jamais l'appareil endommagé!** Débranchez l'appareil endommagé de l'alimentation électrique et contactez votre revendeur.
- **Avertissement:** N'immergez pas les pièces électriques de l'appareil dans l'eau ou dans d'autres liquides. Ne mettez pas l'appareil sous l'eau courante.
- Vérifiez régulièrement la fiche et le câble d'alimentation pour les dommages. La fiche ou le câble d'alimentation endommagé(e) transmettre pour la réparation au service ou à une personne qualifiée, pour prévenir tous les menaces ou les blessures possibles.
- Assurez-vous que le câble d'alimentation n'est pas en contact avec les objets pointus ou chauds ; gardez le câble loin des flammes nues. Pour retirer la fiche de la prise murale, tirez toujours en tenant la fiche et non le câble d'alimentation.
- Protégez le câble d'alimentation (ou la rallonge) contre le débranchement accidentel de la prise murale. Le câble doit être posé de manière ne provoquant pas les chutes accidentelles.
- Surveillez en permanence l'appareil pendant l'utilisation.
- Avertissement ! Si la fiche est insérée dans la prise murale, l'appareil doit être considéré comme branché à l'alimentation.
- Avant de retirer la fiche de la prise, éteignez l'appareil !
- Ne transportez jamais l'appareil en tenant le câble.
- N'utilisez aucuns accessoires qui n'ont pas été fournis avec l'appareil.


FR



- L'appareil doit être branché à la prise murale avec une tension et la fréquence indiquées sur la plaque signalétique.
- Insérez la fiche à la prise murale située dans un endroit facilement accessible de sorte qu'en cas de panne l'appareil puisse être immédiatement déconnecté. Pour éteindre complètement l'appareil, débranchez-le de la source d'alimentation. Pour cela, retirez la fiche à l'extrémité du câble d'alimentation de la prise murale.
- Eteignez l'appareil avant de débrancher l'appareil de la prise!
- N'utilisez jamais les accessoires non recommandés par le fabricant. L'utilisation des accessoires non recommandés peut présenter des risques pour l'utilisateur et provoquer les dommages à l'appareil. Utilisez uniquement des pièces et accessoires originaux.
- Cet appareil n'est pas apte à être utilisé par des personnes (enfants compris) avec capacités physiques, sensorielles ou intellectuelles diminuées ou ne possédant pas l'expérience et les connaissances suffisantes.
- Ne laissez jamais les enfants utiliser l'appareil.
- L'appareil et le câble d'alimentation doivent être stockés hors de la portée des enfants.
- Ne permettez pas aux enfants d'utiliser l'appareil pour jouer
- Débranchez toujours l'appareil de l'alimentation s'il doit être laissé sans surveillance et également avant le montage, le démontage et le nettoyage.
- Ne laissez jamais l'appareil sans surveillance lorsqu'il est utilisé.

FR

Consignes particulières de sécurité

- L'appareil est conçu uniquement pour chauffer, décongeler, griller ou cuire les aliments et les boissons. Le séchage des aliments ou des vêtements et le chauffage des coussins chauffants, des pantoufles, des éponges et des chiffons humides etc. peut entraîner des blessures ou un incendie.
- Utilisez l'appareil uniquement conformément au présent mode d'emploi.
- L'appareil est destiné à être utilisé dans des ménages et des endroits suivants :
 - cuisines pour les employés dans des magasins, les bureaux ou autres lieux de travail ;
 - exploitations agricoles ;
 - cuisines utilisées par les clients dans des hôtels, les motels ou autres zones résidentielles ;
 - hôtels „bed and breakfast”.
-  **Attention ! Surface chaude !** Pendant le fonctionnement de l'appareil la porte et les autres surfaces disponibles chauffent à des températures très élevées. Touchez uniquement le panneau de commande.
- Ne démarrez pas l'appareil avant de placer des aliments à l'intérieur du four parce que cela peut entraîner à l'endommagement de l'appareil.
- Pour préparer les plats dans l'appareil n'utiliser que les ustensiles qui sont



destinés pour l'utilisation dans les fours à micro-ondes. N'utilisez pas les ustensiles ou les couverts qui sont faits en métal ou contenant du métal, du papier d'aluminium, du cristal au plomb, des matières plastiques non résistant à des températures élevées, ou contenant les attaches en métal ou en bois ou des bandes en fil. N'utilisez pas les bols avec le bord en métal ou les bols en plastique avec le couvercle partiellement enlevé. Danger d'incendie.

- En raison du risque d'inflammation, observez le processus de chauffage des aliments emballés dans des récipients en plastique ou en papier.
- Si vous remarquez de la fumée, éteignez l'appareil ou retirez la fiche de la prise électrique et n'ouvrez pas la porte. Cela vous permettra d'éteindre le feu plus rapidement.
- Ne démarrez pas le four à micro-ondes sans les aliments à l'intérieur. Cela est très dangereux.
- N'utilisez pas le four à micro-ondes si la porte est ouverte parce que cela peut entraîner une exposition à l'énergie sous forme de rayonnement à micro-ondes. Ne retirez pas et ne faites pas d'intervention sur les protections de sécurité.
- Ne chauffez pas dans le four à micro-ondes des œufs dans des coquillages ou des œufs cuits durs parce qu'ils peuvent exploser même si le processus de chauffage a été terminé.
- **AVERTISSEMENT** : Si la porte ou les joints de la porte sont endommagés, n'utilisez pas le four à micro-ondes jusqu'à ce qu'ils ne soient pas réparés par un technicien du service agréé.
- **AVERTISSEMENT** : Il est dangereux d'effectuer des interventions d'entretien ou de réparation consistant à retirer le couvercle de protection contre l'exposition au rayonnement micro-ondes par les personnes autres qu'un technicien du service agréé.
- **AVERTISSEMENT** : Ne chauffez pas dans le four à micro-ondes des liquides ou d'autres aliments dans des récipients fermés, des bouteilles etc. parce que cela peut provoquer l'explosion du récipient ou de la bouteille etc.
- **AVERTISSEMENT** : Pour éviter les brûlures le contenu des bouteilles ou des pots avec les aliments pour bébés doit être secoué ou mélangé avant de manger et la température de la boisson ou de la nourriture doit être vérifiée.
- **AVERTISSEMENT** : Le chauffage des boissons dans le four à micro-ondes peut entraîner une ébullition brusque et retardée. Soyez prudent lorsque vous manipulez le récipient.
- L'appareil ne peut pas être encastré. Ne couvrez pas les ouvertures de ventilation de l'appareil. Les informations sur l'espace qui doit être laissé autour de l'appareil pour assurer la circulation d'air correcte sont inscrites dans la partie « Avant l'utilisation ».
- Le ustensiles peuvent devenir chauds lorsqu'ils sont en contact avec des aliments chauds. Utiliser les gants de cuisine (non fournis) pour retirer les aliments de l'appareil.



- Nettoyez régulièrement l'appareil de résidus d'aliments du compartiment de cuisson.
- Si vous ne maintenez pas le four à l'état propre, cela peut entraîner la détérioration de la surface, ce qui peut encore affecter la durée de vie de l'appareil ou provoquer une situation dangereuse.
- N'utilisez pas le four à micro-ondes comme un espace de stockage. Ne stockez pas d'aliments dans le four à micro-ondes par exemple du pain, des biscuits etc.
- L'appareil n'est pas conçu pour être utilisé avec une minuterie externe ou un système de télécommande séparé.
- Soyez prudent lorsque vous placez les aliments dans le four pour éviter d'endommager le plateau tournant.
- **Attention !** Faites passer et protéger correctement le cordon d'alimentation pour éviter toute traction accidentelle ou tout contact avec la surface chauffée.
- Ne nettoyez pas l'appareil avec de l'eau. Le lavage de l'appareil peut entraîner la pénétration de l'eau dans les parties électriques et provoquer un choc électrique.
- Ne nettoyez pas l'appareil ou ne placez pas l'appareil dans un endroit de stockage avant qu'il ne soit pas complètement refroidi.
- Les parties de l'appareil ne peuvent pas être lavées au lave-vaisselle.

Destination de l'appareil

- Cet appareil est destiné pour des buffets et à un usage domestique.
- L'appareil est destiné à un usage commercial et est utilisé pour chauffer et décongeler des produits alimentaires en utilisant des plats appropriés. L'utilisation de l'appareil à d'autres fins peut entraîner des dommages ou des blessures.
- L'utilisation de l'appareil à d'autres fins sera considérée comme une utilisation inappropriée. L'utilisateur sera seul responsable de l'utilisation incorrecte de l'appareil.

Mise à la terre

La cuisinière est un appareil de la 1ère classe de protection et doit être obligatoirement mis à la terre. La mise à la terre réduit le risque de choc électrique grâce à un conduit évacuant le courant électrique. L'appareil est équipé d'un

conduit avec la mise à la terre et la prise de terre. N'insérez pas la fiche à la prise murale si l'appareil n'a pas été correctement installé et mis à la terre.

Plats

L'utilisation de certains plats non métalliques dans le four à micro-onde peut être dangereuse. En cas de doute si un plat donné peut être utilisé dans le four à micro-onde, vous pouvez effectuer le test selon les instructions suivantes :

Test d'un plat

Remplissez le récipient que vous voulez tester dans le four à micro-ondes en versant 1 verre (250 ml) d'eau froide et placez-le dans le compartiment du four. Chauffez pendant une minute en utilisant la puissance la plus élevée.

Touchez prudemment le récipient testé. Si le plat est chaud, cela veut dire qu'il NE PEUT PAS être utilisé dans le four à micro-ondes. Ne chauffez pas le plat pendant plus d'une minute.

Liste des plats de cuisine

La présente liste vous aidera à choisir de bons plats de cuisine:

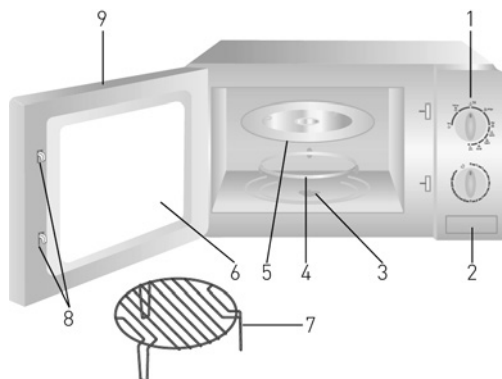
Plat de cuisine	Mode standard	Mode grillage	Mode combiné	Remarques
Verre résistant aux températures élevées	√	√	√	
Verre non résistant aux températures élevées	x	x	x	
Céramique résistant aux températures élevées	√	√	√	
Plats en plastique appropriés pour une utilisation dans les fours à micro-ondes	√	x	x	Ne convient pas à être utilisé dans des températures élevées
Serviettes en papier	√	x	x	Uniquement le chauffage court sous la surveillance de l'utilisateur.
Plateaux métalliques	x	√	x	Pendant l'utilisation des étincelles apparaissent.
Support métallique	x	√	x	
Feuille d'aluminium et conteneurs en aluminium	x	√	x	

√: L'utilisation dans le mode spécifié autorisée. Utilisez uniquement conformément aux instructions du fabricant. N'oubliez pas d'enlever le couvercle si le plat le possède. Si la surface du plat est cassée ou endommagée, ne le mettez pas dans le four.
x: Ne convient pas pour une utilisation dans un mode spécifié.

FR

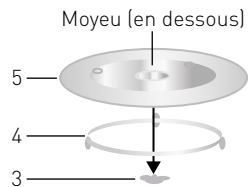
Les éléments principaux de l'appareil

1. Panneau de commande [Voir la fig. 1]
2. Bouton d'ouverture de la porte
3. Arbre du plateau tournant
4. Élément rotatif
5. Plateau tournant
6. Fenêtre en verre
7. Support de grillage (uniquement pour l'utilisation en mode de grillage)
8. Mécanisme de fermeture de la porte
9. Porte



Installation du le plateau tournant

- Ne placez jamais le plateau tournant (5) à l'envers.
- Pendant le fonctionnement de l'appareil dans le four également l'élément rotatif (4) et le plateau tournant (5) doivent être placés.
- Placez les aliments et les boissons sur le plateau tournant (5).
- Placez l'élément rotatif (4) et le plateau tournant (5) perpendiculairement à l'arbre du plateau tournant (3). Assurez-vous que l'élément ou le plateau tournent doucement.
- Après chaque utilisation lavez le plateau tournant (5).
- **Attention** : N'UTILISEZ PAS le four à micro-ondes si le plateau tournant (5) ou l'élément rotatif (4) sont cassés ou endommagé de toute autre manière – dans ce cas contactez immédiatement le fournisseur.
- Utilisez uniquement l'élément rotatif (4) et le plateau tournant (5) qui sont fournis avec l'appareil.



FR

Avant la première utilisation

- Retirez et éliminez l'emballage et toutes les protections.
- Vérifiez l'appareil et les accessoires en ce qui concerne l'intégralité. En cas de livraison incomplète ou de dommages, contactez votre fournisseur (voir ==> Garantie).
- Nettoyez l'appareil (voir ==> Nettoyage et entretien).
- Vérifiez que l'appareil est complètement sec.
- Placez l'appareil sur une surface plane, stable et résistante à des températures élevées et les projections de liquides.

- Ne placez pas l'appareil à proximité d'objets qui sont sensibles aux perturbations provoquées par l'émission d'un rayonnement magnétique (par exemple les radios, les lecteurs de cassettes).

Attention : En raison des résidus de production, l'appareil peut émettre une faible odeur caractéristique au début du fonctionnement. Ce phénomène est tout à fait normal et ne signifie pas un mauvais fonctionnement ou le fonctionnement dangereux. Assurez-vous que l'appareil est bien ventilé.

Fonctionnement

- Placez le four à micro-ondes sur une surface plane, sèche et stable résistante aux températures élevées. Pour assurer une bonne circulation de l'air, laissez autour de l'appareil un espace libre selon les instructions suivantes :
 - au-dessus du four : 20 cm
 - derrière le four : 5 cm
 - à côté du four : 10 cm

- Ouvrez la porte du four à micro-ondes (9), en appuyant le bouton d'ouverture de la porte (2).
- Placez l'élément rotatif (4) et le plateau tournant en verre (5) dans une bonne position. En plaçant les éléments ci-dessus dans la mauvaise position entraînera le blocage du plateau (5). (Voir ==> Montage du plateau tournant).
- Connectez la fiche à une prise électrique appropriée.



Attention :

- Ne placez pas le four à micro-ondes dans des endroits d'émission de la chaleur ou qui sont très humides, ainsi que dans des endroits proches des matériaux inflammables.
- Assurez-vous que le cordon d'alimentation n'est pas endommagé et n'a pas été placé sous le four à micro-ondes ou au-dessus des surfaces pointues ou chaudes.
- Le cordon d'alimentation doit être branché à la prise électrique à laquelle l'accès n'est pas difficile pour pouvoir déconnecter l'appareil de la source d'alimentation en cas de toute panne.
- Attention : Le support de grillage (7) ne peut être utilisé qu'en mode de grillage.
- Le plateau tournant (5) doit être utilisé dans chaque mode : mode standard, mode de grillage et mode combiné.
- Pendant l'utilisation du support de grillage (7) utilisez les plats appropriés qui ne touchent pas les parois de l'appareil.
- Placez les aliments dans un récipient approprié et fermez la porte (9).

Réglage de la puissance et de la minuterie :

- Réglez la puissance appropriée de l'appareil en tournant le bouton sur le panneau de commande (1) à la puissance désirée. (Mode standard, de grillage et combiné).
- Réglez le temps de fonctionnement (page : 0 min ~ 35 min), en tournant le bouton du temps à la valeur désirée.
- Le four commence automatiquement à fonctionner après le réglage de l'alimentation et du temps.
- Après l'expiration du temps réglé un signal acoustique est émis et l'appareil s'arrête de fonctionner.
- Les aliments peuvent être retirés de l'appareil. Si nécessaire, utilisez les gants de cuisine (non fournis). Faites attention aux surfaces chaudes de l'appareil.
- Si l'appareil n'est pas utilisé, réglez la minuterie sur la valeur „0“.

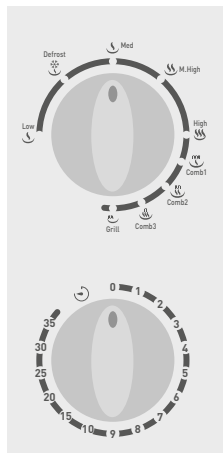


Fig. 1

FR

Fonction	Puissance initiale estimée	Utilisation
Puissance faible	120 W	Décongeler légèrement la glace
Décongélation	230 W	Chauffer la soupe, remollir du beurre ou décongeler
Puissance moyenne	385 W	Préparer le goulasch, les poissons
Puissance moyennement élevée	540 W	Préparer le riz, les poissons, le poulet, la viande hachée
Puissance élevée	700 W	Chauffer le lait, les légumes, de l'eau bouillante, réchauffer d'autres boissons

Attention: Le tableau ci-dessus détermine uniquement le niveau de puissance initiale du four à micro-ondes et non pas le niveau de la puissance de grillage ou la consommation d'énergie de l'appareil. Les informations ci-dessus sont présentées uniquement à titre informatif.



Fonction	Programme	Utilisation
Mode combiné 1	80% du temps : mode grillage ; 20% du temps : mode standard ;	Griller les steaks, la viande hachée, les kebabs, les saucisses, les morceaux de poulet
Mode combiné 2	70% du temps : mode grillage ; 30% du temps : mode standard ;	Les parties du poulet, de la longe de porc, des poissons
Mode combiné 3	60% du temps : mode grillage ; 40% du temps : mode standard ;	Poudings, omelettes, carottes rôties, autres légumes
Mode grillage	100% du temps : mode grillage ;	Pain rôti, repas tranchés

Remarque:

1. Le tableau ci-dessus présente le programme de combinaison du mode standard et du mode grillage.
2. Avant de retirer les aliments du four assurez-vous que l'appareil est éteint (la minuterie est réglée sur la valeur „0“). Sinon, vous pouvez endommager l'appareil en retirant les aliments.
3. Les tableaux ci-dessus ne sont présentés qu'à titre d'information. La durée réelle de la préparation des aliments et le réglage de la puissance dépendent de l'effet désiré de la préparation des aliments dans le four. Si nécessaire, changez manuellement le temps de la préparation des aliments et le réglage.

Conseils pour préparer la nourriture au four

- Si nécessaire, l'appareil peut être ouvert à tout moment pendant le fonctionnement, par exemple pour tourner ou mélanger les aliments ou pour vérifier la préparation.
- Pour terminer le processus de préparation des aliments, réglez la minuterie sur la position „0“.
- Les aliments peuvent être retirés de l'appareil. Si nécessaire, utilisez les gants (non fournis). Faites attention aux surfaces chaudes de l'appareil.
- Si l'appareil n'est pas utilisé, réglez la minuterie sur „0“.

FR

Nettoyage et entretien

Attention : Avant le nettoyage et l'entretien de l'appareil, débranchez l'appareil de la source d'alimentation en retirant la fiche de la prise électrique et attendez jusqu'à ce que l'appareil refroidisse complètement.

Nettoyage

- N'immergez jamais l'appareil dans l'eau ou d'autres liquides.
- Après le refroidissement de la surface externe, nettoyez-la avec un chiffon humide ou une éponge, avec une petite quantité d'une solution de détergent doux.
- N'utilisez jamais pour le nettoyage des parties internes et externes des éponges abrasives ou des détergents abrasives ou des éponges en laine d'acier ou des instruments métalliques.
- Le plateau tournant (5) peut être retiré pour le nettoyage. Lors du nettoyage du plateau tournant (5) soyez prudent pour ne pas l'endommager. Lavez le plateau avec de l'eau chaude savonneuse.
- Nettoyez régulièrement l'élément rotatif (4) et le fond du compartiment du four pour des raisons d'hygiène et pour assurer une bonne rotation de l'élément (4).
- La lampe à l'intérieur du compartiment du four peut être remplacée, mais cette intervention doit être réalisée par un technicien du service agréé.

Stockage

- Avant de la mise de l'appareil en stock, assurez-vous toujours que l'appareil a été débranché de la prise électrique et a complètement refroidi.
- Tenez l'appareil dans un endroit frais, propre et sec.



Diagnostic

Si l'appareil ne fonctionne pas correctement, lisez les instructions dans le tableau ci-dessous pour trouver une bonne solution. Si vous ne pouvez pas résoudre le problème, contactez votre revendeur.

Problème	Cause possible	Solution possible
L'appareil ne s'allume pas.	<ul style="list-style-type: none">- La fiche n'est pas correctement connectée à la prise électrique.- La minuterie est réglée sur „0”.- La porte du four (9) n'a pas été correctement fermée.	<ul style="list-style-type: none">- Vérifiez si la fiche est correctement insérée dans la prise électrique.- Réglez la minuterie sur la valeur souhaitée.- Assurez-vous que la porte (9) est correctement fermée.
Pendant le fonctionnement le plateau tournant (5) émet des bruits.	<ul style="list-style-type: none">- Le plateau tournant en verre (5) n'a pas été correctement montée.- Il y a de la nourriture au fond du compartiment du four et la surface n'est pas plate.	<ul style="list-style-type: none">- Assurez-vous que le plateau tournant (5) a été correctement montée.- Nettoyez le fond du compartiment de tout résidu empêchant la rotation du plateau.

Caractéristiques techniques

Numéro de produit: 281710

Tension et fréquence: 230V- 50Hz

Fréquence des micro-ondes : 2450 MHz

Consommation électrique (mode standard) : 1050 W

Puissance nominale initiale (mode standard) : 700 W

Consommation électrique (mode grillage) : 1000 W

Capacité du compartiment du four : 20 litres

Réglage de la minuterie : de 0 min à 35 min

Classe de protection: Classe I

Dimensions : 440 x 330 x (H) 259 mm

Remarque : Les caractéristiques techniques peuvent être modifiées sans préavis.

FR

Garantie

Tout vice ou toute défaillance entraînant un dysfonctionnement de l'appareil qui se déclare dans les 12 mois suivant la date de l'achat sera éliminé à titre gratuit ou l'appareil sera remplacé par un appareil nouveau si le premier a été dûment exploité et entretenu conformément aux termes de la notice d'exploitation et s'il n'a pas été indûment exploité ou de manière non conforme à sa destination. La présente stipulation ne porte pas de préjudice aux autres droits de l'utilisateur prévus par les dispositions légales. Dans le cas où l'appareil

est donné à la réparation ou doit être remplacé dans le cadre de la garantie, il y a lieu de spécifier le lieu et la date de l'achat de l'appareil et produire un justificatif nécessaire (par ex. facture ou ticket de caisse).

Conformément à notre politique d'amélioration permanente de nos produits, nous nous réservons le droit d'introduire sans avertissement préalable des modifications à l'appareil, à l'emballage et aux caractéristiques techniques précisées dans la documentation.



Élimination et protection de l'environnement


En cas de retrait du produit de l'exploitation l'appareil ne peut pas être jeté avec d'autres déchets ménagers. L'utilisateur est responsable de la remise de l'équipement au point de collecte approprié pour l'équipement usagé. Le non-respect des dispositions ci-dessus peut entraîner les pénalités conformément à la réglementation applicable en matière d'élimination des déchets. La collecte sélective et le recyclage des équipements usagés contribuent à la conservation des ressources natu-

relles et assurent un recyclage sans danger pour la santé et l'environnement. Pour plus d'informations sur les endroits de collecte des équipements usagés pour le recyclage, contactez la société de collecte des déchets locale. Le producteur et l'importateur ne sont pas responsables du recyclage et du traitement des déchets d'une manière respectueuse de l'environnement directement et dans le système public.

Gentile cliente,

grazie per aver acquistato questo apparecchio Hendi. Ti invitiamo a leggere queste istruzioni per l'uso con attenzione prima di collegare l'apparecchio al fine di evitare danni dovuti a uso improprio. Ti invitiamo inoltre a prestare particolare attenzione alle precauzioni di sicurezza.

Precauzioni di sicurezza


- L'uso scorretto e improprio dell'apparecchio possono danneggiare seriamente l'apparecchio e ferire gli utenti.
- Questo apparecchio è destinato al buffet e all'uso domestico.
- L'apparecchio può essere utilizzato solo per lo scopo per cui è stato concepito e progettato. Il produttore non è responsabile di eventuali danni provocati da uso scorretto ed improprio.
- Tenere l'apparecchio e la spina elettrica lontani da acqua ed altri liquidi. Nel caso improbabile che l'apparecchio cada in acqua, staccare immediatamente la spina dalla presa e fare ispezionare l'apparecchio da un tecnico certificato. L'inosservanza delle presenti istruzioni può dare luogo a situazioni pericolose
- Non provare mai ad aprire l'involucro dell'apparecchio da soli.
- Non inserire oggetti nell'involucro dell'apparecchio.
- Non toccare la presa con le mani bagnate o umide.
-  **Pericoli di scosse elettriche!** Non tentare di riparare l'apparecchio da solo. Eventuali difetti e malfunzionamenti devono essere rimossi soli da personale qualificato.
- **Non usare l'apparecchio danneggiato!** L'apparecchio difettoso deve essere immediatamente scollegato dalla rete e contattare il rivenditore.
- **Attenzione:** Non immergere parti elettriche in acqua o altri liquidi. Non mettere l'apparecchio sotto l'acqua corrente.
- Controllare regolarmente se la spina e il cavo di alimentazione non sono danneggiati. La spina o il cavo danneggiati trasmettere al servizio o alla persona qualificare per riparare, per evitare eventuali pericoli e lesioni.
- Assicurarci che il cavo di alimentazione non è in contatto con oggetti appuntiti o caldi. Tenere il cavo lontano da fiamme libere. Per scollegare la spina dalla presa, tirare sempre la spina, mai il cavo.
- Proteggere il cavo di alimentazione (o di estensione) per la sconnessione accidentale dalla presa. Disporre il cavo in modo per evitare lo slittamento accidentale.
- Sorvegliare l'apparecchio continuamente durante l'uso.
- **Attenzione!** Se la spina è inserita nella presa, l'apparecchio è considerato come collegato.
- Prima di rimuovere la spina dalla presa, spegnere l'apparecchio!
- Non trasportare l'apparecchio tenendo il cavo di alimentazione.
- Non utilizzare qualsiasi accessorio che non è stato fornito con l'apparecchio.
- L'apparecchio deve essere collegato ad una presa con tensione e frequenza indicate sulla targhetta.

IT



- Inserire la spina nella presa situata in un punto facilmente accessibile in modo che in caso di guasto sia possibile scollegare immediatamente l'apparecchio. Per spegnere completamente l'apparecchio, scollegarlo dalla presa di corrente. Per questo staccare la spina che si trova sull'estremità del cavo di alimentazione.
- Prima di scollegare la spina, ricordarsi sempre di spegnere l'apparecchio!
- Non usare gli accessori non raccomandati dal produttore. L'uso di accessori non raccomandati può creare i rischi per l'utente e provocare i danni all'apparecchio. Usare unicamente solo pezzi ed accessori originali.
- L'installazione elettrica deve soddisfare le normative nazionali e locali applicabili. Questo apparecchio non è destinato all'uso da parte di persone (inclusi i bambini) con capacità fisiche, sensoriali o mentali ridotte, o senza esperienza e conoscenza.
- Non permettere ai bambini di utilizzare l'apparecchio.
- Tenere l'apparecchio con il cavo fuori dalla portata dei bambini.
- Non permettere ai bambini di giocare con l'apparecchio.
- Scollegare l'apparecchio dalla rete se esso deve essere lasciato incustodito e prima del montaggio, dello smontaggio o della pulizia.
- Non lasciare l'apparecchio incustodito durante l'utilizzazione.

Regole di sicurezza speciali

- Questo apparecchio è destinato unicamente al riscaldamento, allo scongelamento, alla grigliatura e alla cottura di alimenti e di bevande. L'essiccazione di alimenti e di indumento nonché il riscaldamento dei cuscini riscaldanti, delle pantofole, delle spugne e dei panni umidi ecc. può causare lesioni personali o incendio.
- Utilizzare l'apparecchio solo in base alle presenti istruzioni.
- L'apparecchio è destinato ad essere utilizzato a casa e altri luoghi come;
 - cucine per gli impiegati dei negozi, degli uffici ed in altri luoghi di lavoro
 - aziende agricole;
 - cucine destinate ad essere utilizzate dagli ospiti in alberghi motel e altre zone residenziali;
 - alberghi tipo „bed and breakfast”.
-  **Attenzione! Superficie calda!** Durante il funzionamento, la porta e altre superfici disponibili si riscaldano a temperature molto elevate. Toccare unicamente il pannello di controllo.
- Non avviare l'apparecchio prima di posizionare l'alimento, per non danneggiarlo.
- Per preparare i piatti nel forno a microonde, utilizzare unicamente i recipienti idonei per essere utilizzati nel forno. Non utilizzare i recipienti o la posata fatti di metallo o contenenti metallo, foglio di alluminio, cristallo di piombo, plastica non resistente a temperature elevate, o contenenti fermagli o legami di filo. Non utilizzare le ciotole di metallo o le tazze di plastica col coperchio parzialmente rimosso. Pericolo di incendio.
- A causa del rischio di accensione, osservare il processo di preriscaldamento

alimentare imballato in contenitori in plastica o in carta.

- Se si nota il fumo, spegnere l'apparecchio o rimuovere la spina dalla presa e non aprire la porta. Questo permetterà che il fuoco venga spento più rapidamente.
- Non utilizzare il forno a microonde a meno che il cibo non sia posto all'interno. Questo è molto pericoloso.
- Non utilizzare il forno a microonde se la porta è aperta, in quanto per evitare di causare l'esposizione a radiazione a microonde. Non rimuovere o modificare le serrature di sicurezza.
- Non scaldare le uova a microonde in guscio o uova sode bollite in quanto possono esplodere anche se il processo di riscaldamento è stato terminato.
- **AVVERTENZA:** Se le guarnizioni della porta o la porta sono danneggiate, non utilizzare il forno a microonde finché le riparazioni non vengono eseguite da un tecnico autorizzato.
- **AVVERTENZA:** È pericoloso eseguire qualsiasi operazione di manutenzione o di riparazione che consiste nel rimuovere una copertura che protegge contro l'esposizione a radiazioni a microonde da persone diverse da un tecnico autorizzato.
- **AVVERTENZA:** Non scaldare nel forno a microonde liquidi o altro cibo in contenitori chiusi, in bottiglie, ecc. per non causare esplosioni del contenitore, bottiglie ecc.
- **AVVERTENZA:** Per evitare bruciature, il contenuto delle bottiglie o dei vasetti per alimenti per bambini deve essere agitato o mescolato; prima di mangiare si deve controllare la temperatura della bevanda o del cibo.
- **AVVERTENZA:** Il riscaldamento delle bevande nel forno a microonde può provocare un'ebollizione ritardata. Fare attenzione durante la movimentazione del recipiente.
- L'apparecchio non deve essere incassato. Non ostruire le aperture di ventilazione dell'apparecchio. Le informazioni sullo spazio da lasciare intorno all'apparecchio per garantire un corretto flusso d'aria si trovano nella sezione "Prima dell'uso".
- I recipienti possono diventare caldi quando sono a contatto con il cibo caldo. Per rimuovere il cibo nell'apparecchio, utilizzare guanti da cucina (non inclusi).
- Pulire regolarmente l'apparecchio e rimuovere eventuali residui alimentari dal compartimento di cottura.
- In caso di non mantenere l'apparecchio pulito si può provocare un deterioramento della superficie che, a sua volta, può influenzare negativamente la durata dell'apparecchio e provocare una situazione pericolosa.
- Non utilizzare il forno a microonde come spazio per conservare il cibo. Non conservare nel forno a microonde i cibi come il pane, i biscotti ecc.
- Il dispositivo non è progettato per essere utilizzato con un timer esterno o un sistema di controllo a distanza separato.
- Fare attenzione quando si posiziona il cibo nel forno a microonde per evitare danni al piatto girevole.
- **Attenzione!** Fare passare correttamente e fissare il cavo di alimentazione per evitare tirature accidentali o contatto con la superficie calda.



- Non pulire l'apparecchio con acqua. Il lavaggio dell'apparecchio può causare la penetrazione di acqua nelle parti elettriche e causare scosse elettriche.
- Non pulire o mettere l'apparecchio nel luogo di stoccaggio fino a quando non si è raffreddato completamente.
- Le parti dell'apparecchio non devono essere lavate nella lavastoviglie.

Destinazione del dispositivo

- Questo apparecchio è destinato al buffet e all'uso domestico.
- Questo microonde è progettato per scaldare o scongelare alimenti usando i pitti adatti. Qualsiasi altro utilizzo può portare al danneggiamento del microonde o a lesioni alle persone.
- L'uso del dispositivo per qualsiasi altro scopo sarà considerato un uso improprio. L'utente sarà l'unico responsabile per l'uso scorretto del dispositivo.

Messa a terra

Il fornello è l'apparecchio della I classe di protezione e deve essere messo a terra. La messa a terra riduce il rischio di scosse elettriche grazie al cavo evacuante il corrente elettrico.

L'apparecchio è dotato di un cavo con una messa a terra. Non inserire la spina nella presa di corrente se l'apparecchio non è stato correttamente installato o messo a terra.

Recipienti

L'utilizzo di certi recipienti nel forno a microonde, come i recipienti che non sono fatti di metallo può essere pericoloso. In caso di dubbi che un determinato recipiente può essere utilizzato in un forno a microonde, realizzare la prova secondo le seguenti istruzioni:

Prova del recipiente:

Riempire il contenitore che si desidera testare nel forno a microonde versando 1 bicchiere (250 ml) di acqua fredda e mettere il contenitore nel compartimento del forno. Scaldare per 1 minuto usando una massima potenza.

Toccare con cura il recipiente di prova. Se è caldo, NON è adatto per essere utilizzato nei forni a microonde. Non riscaldare il recipiente per più di 1 minuto.

Elenco di utensili da cucina

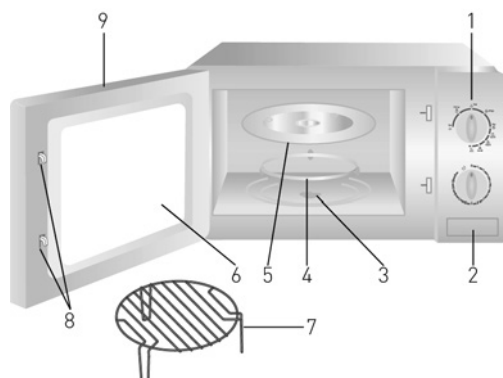
Il presente elenco di utensili da cucina vi permetterà di scegliere gli utensili adeguati:

Utensile da cucina	Modalità standard	Modalità di grigliatura	Modalità combinata	Osservazioni
Vetro resistente alle alte temperature	√	√	√	
Vetro non resistente alle alte temperature	x	x	x	
Ceramica resistente alle alte temperature	√	√	√	
Utensili in plastica adatti per l'utilizzo in forni a microonde	√	x	x	Non adatto per l'utilizzo in temperature elevate.
Asciugamani di carta	√	x	x	Unicamente il riscaldamento corto sotto la supervisione dell'utente.
Vassoi di metallo	x	√	x	Durante il funzionamento dell'apparecchio appaiono le scintille.
Supporto di metallo	x	√	x	
Foglio di alluminio e contenitori di alluminio	x	√	x	

√: Utilizzo consentito in modalità specificata. Utilizzare solo in conformità alle istruzioni del fabbricante. Ricordarsi di rimuovere il coperchio se il recipiente lo possiede. Se la superficie del recipiente è incrinata o danneggiata, non metterlo nel forno.
x: Non adatto per l'uso in una modalità specificata.

Principali parti dell'apparecchio

1. Pannello di controllo (vedere la fig. 1)
2. Pulsante di apertura della porta
3. Albero del piatto girevole
4. Elemento rotante
5. Piatto girevole in vetro
6. Finestra di vetro
7. Supporto per grigliatura (da utilizzare unicamente nella modalità di grigliatura)
8. Meccanismo di chiusura della porta
9. Porta

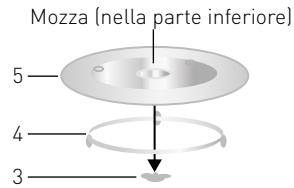


IT



Installazione del piatto girevole

- Non mettere mai il piatto girevole (5) il basso verso l'alto.
- Durante il funzionamento nel forno a microonde deve essere installato l'elemento rotante (4), così come il piatto (5).
- Il cibo e le bevande devono essere messe sul piatto girevole di vetro (5).
- Posizionare l'elemento rotante (4) e il piatto girevole (5) perpendicolare all'albero del piatto girevole (3). Assicurarsi che l'elemento e il piatto ruotino liberamente.
- Dopo ogni uso lavare il piatto girevole (5).
- **Attenzione:** NON utilizzare il forno a microonde se il piatto girevole (5) o l'elemento rotante (4) si rompe o sia danneggiato - contattare immediatamente il rivenditore.
- Utilizzare solo l'elemento rotante (4) e il piatto girevole in vetro (5) che sono forniti con l'apparecchio.



Prima del primo utilizzo

- Rimuovere e eliminare l'imballaggio e le protezioni.
- Controllare l'apparecchio e gli accessori per la completezza. In caso di consegna incompleta o di danni contattare il fornitore (vedere: Garanzia).
- Pulire l'apparecchio (Vedere ==> Pulizia e manutenzione).
- Verificare che il prodotto è completamente asciutto.
- Posizionare l'apparecchio su una superficie stabile, resistente alle alte temperature e spruzzi di liquidi.
- Non posizionare l'apparecchio in prossimità di oggetti che sono sensibili a disturbi causati dalle emissioni di radiazioni magnetiche (ad es. radio, lettori di cassette).

Attenzione: A causa di residui di produzione, l'apparecchio può emettere un odore debole e caratteristico all'inizio del funzionamento dell'apparecchio. Questo è normale e non significa che il funzionamento non corretto o pericolo. Assicurarsi che l'apparecchio è ben ventilato.

Funzionamento

- Posizionare il forno a microonde su una superficie piana, stabile, asciutta e resistente alle temperature elevate. Per garantire un corretto flusso d'aria, lasciare libero lo spazio attorno all'apparecchio secondo le seguenti istruzioni:
 - sopra il forno: 20 cm
 - sotto il forno: 5 cm
 - sui lati del forno: 10 cm
- Aprire la porta del forno a microonde (9), premendo il pulsante di apertura della porta (2).
- Posizionare l'elemento rotante (4) e il piatto girevole di vetro (5) nella posizione corretta. Se gli elementi di cui sopra non sono posizionati nella posizione corretta, la rotazione del piatto girevole sarà bloccata (5). (Vedere ==> Installazione del piatto girevole).
- Collegare la spina ad una presa appropriata.



Nota:

- Non posizionare il forno a microonde nelle zone dove il calore è emesso o che sono umidi, nonché vicino a materiali infiammabili.
- Assicurarsi che il cavo di alimentazione non sia danneggiato, non passa sopra il forno o sotto le superfici taglienti o calde.
- Il cavo di alimentazione deve essere collegato ad una presa elettrica con il facile accesso in modo che l'apparecchio possa essere scollegato dall'alimentatore in caso di malfunzionamento.

- **Nota:** Il supporto di grigliatura (7) può essere utilizzato solo in modalità di grigliatura.
- Il piatto girevole (5) deve essere utilizzato in tutte le modalità: modalità standard, modalità di grigliatura e modalità combinata.
- Durante l'utilizzo del supporto di grigliatura (7) utilizzare i recipienti appropriati in modo che esso non tocchi le pareti dell'apparecchio.
- Posizionare il cibo nell'apposito recipiente e chiudere la porta (9).

Impostazione del livello di potenza e del timer:

- Impostare l'alimentazione ruotando la manopola di controllo sul pannello di controllo (1) alla potenza desiderata (modalità standard, di grigliatura e combinata).
- Impostare il tempo di funzionamento (intervallo: 0 min. ~ 35 min.), ruotando la manopola del tempo sul valore selezionato.
- Il forno a microonde comincia automaticamente a funzionare dopo aver impostato la potenza e il tempo.
- Dopo il tempo determinato, un segnale acustico sarà emesso e l'apparecchio smette di funzionare.
- Il cibo può essere rimosso dall'apparecchio. Se necessario, utilizzare guanti da cucina (non inclusi). Attenzione alle superfici calde.
- Se l'apparecchio non è in uso, impostare il timer sul valore „0”.

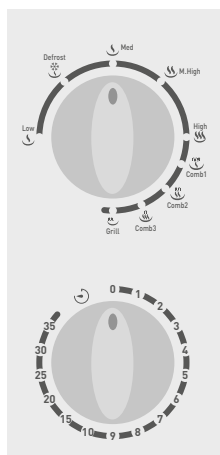


Fig. 1

Funzione	Potenza iniziale stimata	Utilizzo
Potenza bassa	120 W	Scongelerare leggermente i gelati.
Scongeleramento	230 W	Riscaldare la zuppa, ammorbidire il burro o scongelarlo.
Potenza media	385 W	Preparare di gulasch, pesci.
Potenza mediamente alta	540 W	Preparare riso, pollo, carne macinata.
Potenza alta	700 W	Riscaldare latte, verdure, acqua bollente, riscaldare altre bevande.

Attenzione: La tabella precedente presenta solo i livelli di potenza iniziale stimata del forno a microonde e non il livello di potenza del grill o il consumo energetico dell'apparecchio. I dati di cui sopra sono presentate solo a scopo informativo.



Funzione	Programma	Utilizzo
Modalità combinata 1	80% del tempo: Modalità di grigliatura; 20% del tempo: Modalità standard;	Grigliare bistecche, carni macinate, kebab, salsicce e parti di pollo.
Modalità combinata 2	80% del tempo: Modalità di grigliatura; 20% del tempo: Modalità standard;	Parti di pollo, lombo da maiale, pesci.
Modalità combinata 3	60% del tempo: Modalità di grigliatura; 40% del tempo: Modalità standard;	Pudding, omelette, carote arrostiti e altri legumi.
Modalità di grigliatura	100% del tempo: Modalità di grigliatura;	Pane cotto nel forno, piatti affettati.

Nota:

1. La tabella riportata sopra presenta il programma di combinazione della modalità standard e della modalità di grigliatura.
2. Prima di rimuovere il cibo dal forno accertarsi che l'apparecchio sia spento (il timer impostato su "0"). Altrimenti, l'apparecchio potrebbe essere danneggiato durante la rimozione del cibo.
3. Le tabelle sopra riportate presentano i dati solo a scopo informativo. La durata reale della preparazione del cibo e le impostazioni della potenza dipendono dall'effetto desiderato di preparazione del cibo nel forno a microonde. Se necessario, modificare manualmente la durata di preparazione e le impostazioni della potenza.

Consigli riguardanti la preparazione del cibo nel forno

- Se necessario, l'apparecchio può essere aperto in qualsiasi momento durante il suo funzionamento, per esempio per ruotare o mescolare il cibo o per controllare la preparazione.
- Per completare il processo di preparazione del cibo, impostare il selettore orario su „0“.
- Il cibo può essere rimosso dal forno. Se necessario, utilizzare guanti da cucina (non inclusi). Attenzione alle superfici calde.
- Se l'unità non è in uso, impostare il timer su „0“.

Pulizia e manutenzione

Attenzione: Prima della pulizia o prima di mettere l'apparecchio in deposito, scollegare sempre l'apparecchio dalla presa di corrente e lasciare raffreddare il fornello.

Pulizia

- Non immergere l'apparecchio in acqua o altri liquidi.
- Dopo il raffreddamento della superficie esterna, pulirla con un panno umido o una spugna umida con una piccola quantità di un detergente per pulizia.
- Non usare mai per la pulizia dell'interno o dell'esterno dell'apparecchio spugne abrasive o detergenti abrasivi o spugne di lana d'acciaio o strumenti metallici.
- Il piatto girevole (5) può essere rimosso per la pulizia. Durante la pulizia del piatto girevole (5) prestare particolare attenzione per evitare danni all'apparecchio. Lavare il piatto con acqua tiepida e il sapone.
- Pulire regolarmente l'elemento rotante (4) e il fondo del compartimento del forno per scopi igienici e per assicurare che l'elemento sia ruotato correttamente (4).
- La lampada all'interno del forno può essere sostituita, ma questa operazione deve essere eseguita da un tecnico qualificato.

Stoccaggio

- Prima di mettere l'apparecchio in deposito assicurarsi che è stato scollegato dalla presa di corrente e che è raffreddato completamente.
- Conservare l'apparecchio in un luogo fresco, pulito e asciutto.

Risoluzione dei problemi

Se l'apparecchio non funziona correttamente, leggere la tabella qui sotto per trovare la soluzione corretta. Se non è possibile risolvere il problema, contattare il rivenditore.

Problema	Causa possibile	Soluzione possibile
L'apparecchio non si accende.	<ul style="list-style-type: none">- La spina non è correttamente collegata alla presa elettrica.- Il timer è impostato sul valore „0”.- La porta del forno (9) non è correttamente chiusa.	<ul style="list-style-type: none">- Assicurarsi che la spina sia inserita nella presa elettrica.- Impostare la manopola del timer sul valore desiderato.- Assicurarsi che la porta (9) è correttamente chiusa.
Durante il funzionamento dell'apparecchio il piatto girevole di vetro (5) emette il rumore.	<ul style="list-style-type: none">- Il piatto girevole di vetro (5) non è stato correttamente installato.- Nella parte inferiore del forno ci sono i residui del cibo, quindi la superficie non è piatta.	<ul style="list-style-type: none">- Assicurarsi che il piatto girevole di vetro (5) è stato correttamente installato.- Pulire la parte inferiore del compartimento di qualsiasi residuo che impediscono la rotazione del piatto.

Specifiche tecniche

Numero del prodotto: 281710

Tensione e frequenza: 230V~ 50Hz

Frequenza a microonde: 2450 MHz

Consumo nominale di energia (Modalità standard): 1050 W

Potenza nominale iniziale (Modalità standard): 700 W

Consumo nominale di energia (Modalità di grigliatura): 1000 W

Capacità del compartimento del forno: 20 litri

Intervallo di impostazione del timer:

0 min ~ 35 min

Classe di protezione: Classe I

Dimensioni: 440 x 330 x (H) 259 mm

IT

Nota: Le specifiche tecniche sono soggette a modifiche senza preavviso.

Garanzia

Qualsiasi difetto che influenza la funzionalità del dispositivo che compaia entro un anno dall'acquisto sarà corretto a titolo interamente gratuito o con la sostituzione del prodotto che è stato utilizzato e sottoposto a manutenzione corretta seguendo le istruzioni, senza alcuna violazione. I diritti legali del cliente non sono assolutamente modificati. Nel caso in cui l'intervento di manutenzione o sostituzione sia

previsto nel periodo di validità della garanzia, precisare dove e quando si è acquistato il prodotto, possibilmente allegando lo scontrino.

In linea con la nostra politica di sviluppo continuo dei prodotti, ci riserviamo il diritto di modificare il prodotto, l'imballo e le specifiche di documentazione, senza notifica alcuna.

Smaltimento e protezione dell'ambiente

In caso di ritiro dell'apparecchiatura dal funzionamento il prodotto non può essere smaltito con altri rifiuti domestici. L'utente è responsabile della consegna dell'attrezzatura al punto di raccolta appropriato per l'attrezzatura usata. Il mancato rispetto delle disposizioni sopramenzionate può comportare l'imposizione di sanzioni in conformità con le normative vigenti in materia di smaltimento dei rifiuti. La raccolta e il riciclaggio selettivi di attrezzature


usate contribuiscono alla conservazione delle risorse naturali e garantiscono il riciclaggio in modo tale da non nuocere alla salute e all'ambiente. Per ulteriori informazioni sui luoghi di smaltimento delle apparecchiature usate per il riciclaggio, contattare la società locale di raccolta dei rifiuti. Il produttore e l'importatore non sono responsabili per il riciclaggio e il trattamento dei rifiuti in modo ecologico, sia direttamente che nel quadro del sistema pubblico.



Stimate client,

Vă mulțumim pentru achiziționarea acestui aparat Hendi. Vă rugăm să citiți cu atenția acest manual înainte de a conecta aparatul pentru evitarea defectării ca urmare a utilizării incorecte. Acordați o atenție deosebită regulilor de siguranță.

Reguli de siguranță

- Operarea incorectă și utilizarea necorespunzătoare a aparatului poate avaria grav aparatul și poate cauza răni oamenilor.
- Acest aparat este destinat uzului casnic și pentru bufet.
- Aparatul poate fi folosit doar în scopul pentru care a fost proiectat. Producătorul nu este răspunzător pentru orice avariere cauzată operării incorecte și a utilizării necorespunzătoare.
- Asigurați-vă că aparatul și ștecherul nu intră în contact cu apă sau alte lichide. În cazul în care aparatul este scăpat în apă, scoateți imediat ștecherul din priză și un tehnician autorizat trebuie să-l verifice. Dacă nu respectați aceste instrucțiuni, acest lucru poate cauza situații care vă pot pune viața în pericol.
- Nu încercați să deschideți singuri carcasa aparatului.
- Nu introduceți nici un fel de obiecte în carcasa aparatului.
- Nu atingeți ștecherul cu mâinile ude sau umede.
-  **Pericol de electrocutare!** Nu încercați să reparați singur/ă aparatul. În cazul unei defecțiuni, reparațiile vor fi efectuate întotdeauna numai de personal calificat.
- **Nu utilizați niciodată un aparat defect!** Deconectați aparatul de la priza electrică și contactați distribuitorul în cazul unei defecțiuni.
- **Avertisment!** Nu scufundați părțile electrice ale aparatului în apă sau în alte lichide. Nu țineți niciodată aparatul sub jet de apă.
- Verificați în mod regulat ștecărul și cablul pentru a vă asigura că nu sunt deteriorate. În cazul în care ștecărul sau cablul de alimentare este deteriorat, acesta trebuie înlocuit de agentul de service sau de alt personal calificat similar pentru a evita orice pericol.
- Cablul nu trebuie să intre în contact cu obiecte ascuțite sau fierbinți și trebuie păstrat departe de foc. Pentru a scoate ștecărul din priză, trageți întotdeauna de ștecăr, nu de cablu.
- Asigurați-vă că nimeni nu poate trage din greșeală cablul (sau prelungitorul) și că nimeni nu se poate împiedica de el.
- Supravegheați întotdeauna aparatul atunci când este în funcțiune.
- Avertisment! Atât timp cât ștecărul este în priză, aparatul este conectat la sursa de electricitate.
- Opriti aparatul înainte de a scoate ștecărul din priză.
- Nu cărați niciodată aparatul ținându-l de cablu.
- Nu utilizați dispozitive suplimentare care nu sunt livrate împreună cu aparatul.
- Conectați aparatul doar la prize electrice cu intensitatea și frecvența electrice


RO



menționate pe eticheta aparatului.

- Conectați cablul de alimentare la o priză electrică ușor accesibilă, astfel încât aparatul să poată fi deconectat imediat în caz de urgență. Scoateți cablul de alimentare din priza electrică pentru a opri complet aparatul. Utilizați cablul de alimentare ca dispozitiv de deconectare.
- Opriti întotdeauna aparatul înainte de a deconecta cablul de alimentare.
- Nu utilizați niciodată accesorii care nu sunt recomandate de către producător. Acestea pot reprezenta un risc de siguranță pentru utilizator și pot deteriora aparatul. Utilizați numai piese și accesorii originale.
- Acest aparat nu trebuie folosit de copii sau persoane care au capacități mentale, senzoriale sau fizice reduse, sau lipsă de experiență și cunoștințe.
- Acest aparat nu trebuie utilizat sub nicio formă de către copii.
- Nu țineți produsul și cablurile sale la îndemâna copiilor.
- Copiii nu trebuie să se joace cu acest produs.
- Deconectați întotdeauna aparatul de la sursa de alimentare în cazul în care este lăsat nesupravegheat, precum și înainte de asamblare, dezasamblare sau curățare.
- Nu lăsați niciodată aparatul nesupravegheat pe parcursul utilizării.

Reguli speciale de siguranță

- Acest aparat este destinat reîncălzirii, dezghețării, frigerii și gătirii mâncărilor și băuturilor. Uscarea alimentelor sau hainelor și încălzirea pernelor termice, papucilor, bureților, hainelor umede și a altor asemenea pot duce la accidentări și la izbucnirea de incendii.
- Utilizați aparatul doar în conformitate cu indicațiile din acest manual.
- Acest aparat este conceput pentru a fi utilizat în gospodărie și la aplicații similare, cum ar fi :
 - în zonele de bucătărie destinate personalului din magazine, birouri și alte spații de lucru;
 - ferme;
 - de către clienții hotelurilor, motelurilor și ai altor spații rezidențiale;
 - în spații de tipul pensiunilor.
-  **Atenție! Suprafață fierbinte!** Temperatura ușii și a altor suprafețe accesibile este foarte ridicată în timpul utilizării. Atingeți doar panoul de comandă.
- Nu folosiți aparatul fără alimente în interiorul cuptorului întrucât aceasta poate avaria aparatul.
- Folosiți doar ustensile potrivite pentru a fi utilizate în cuptorul cu microunde. Nu folosiți recipiente sau tacâmuri care conțin metal, folie de aluminiu, sticlărie cu plumb, materiale plastice termosensibile, cleme din lemn sau metalice sau bride din sârmă. Nu folosiți vase cu margini striate sau vase din plastic cu capacul parțial îndepărtat. Risc de incendiu.



- Supravegheați cuptorul atunci când încălziți alimente în recipiente din material plastic sau din hârtie întrucât există posibilitatea de aprindere a acestora.
- Dacă iese fum, opriți sau scoateți aparatul din priză și țineți ușa închisă pentru a înăbuși flacăra.
- Nu utilizați niciodată aparatul fără ca în interior să se afle alimente; este foarte periculos.
- Nu încercați să utilizați acest cuptor cu microunde cu ușa deschisă, întrucât acest lucru poate duce la expunerea periculoasă la microunde. Este important să nu rupeți sau să nu șuntați comutatoarele de siguranță.
- Ouăle în coajă și ouăle fierte foarte bine nu trebuie încălzite în cuptorul cu microunde pentru că pot exploda, chiar și după ce s-a încheiat procesul de încălzire la microunde.
- **AVERTISMENT:** Dacă ușa sau garniturile acesteia sunt deteriorate, aparatul nu trebuie folosit până când nu este reparat de către un tehnician certificat.
- **AVERTISMENT:** Este periculos pentru oricine altcineva în afară de un tehnician autorizat să efectueze orice operațiune de întreținere sau reparații implicând îndepărtarea unui capac care oferă protecție împotriva expunerii la microunde.
- **AVERTISMENT:** Lichidele și alte alimente nu trebuie încălzite în recipiente etanșe întrucât pot exploda.
- **AVERTISMENT:** Conținutul biberoanelor și al borcanelor cu alimente pentru bebeluși trebuie amestecat sau agitat, iar temperatura acestora trebuie verificată înainte de utilizare pentru a evita arsurile.
- **AVERTISMENT:** Încălzirea băuturilor la microunde poate duce la fierbere eruptivă întârziată, prin urmare manevrați cu atenție recipientul.
- Acest aparat este conceput pentru a fi utilizat independent. Nu blocați orificiile de ventilație. Informațiile privind păstrarea unui spațiu corespunzător (în partea de sus / în spate / lateral) pentru circulația adecvată a aerului se pot găsi în sesiunea „Înainte de utilizare”.
- Farfuriile se pot încinge în timpul încălzirii mâncării. Folosiți mănuși pentru cuptor (nu se livrează) atunci când scoateți mâncarea din aparat.
- Cuptorul cu microunde trebuie curățat în mod regulat, iar resturile alimentare trebuie îndepărtate.
- Dacă aparatul nu este menținut într-o stare bună de curățenie, acest lucru va deteriora suprafața, ceea ce va afecta aparatul și ar putea duce la situații periculoase.
- Nu folosiți incinta cuptorului pentru a depozita lucruri. Nu depozitați obiecte, precum pâine, prăjituri etc. în interiorul cuptorului.
- Acest cuptor cu microunde nu este construit spre a fi utilizat cu ajutorul unui cronometru extern sau al unui sistem de control separat.
- Puneți încet mâncarea în cuptor pentru a nu deteriora masa rotativă din sticlă.
- Atenție! Așezați corespunzător cablul de alimentare, dacă este cazul, pentru a împiedica tragerea neintenționată sau contactul cu suprafața de încălzire.



- Nu spălați aparatul cu apă. La spălare se pot produce scurgeri, ceea ce va crește riscul de scurt-circuit.
- Nu curățați și nu depozitați aparatul decât după ce s-a răcit complet.
- Niciuna dintre piese nu poate fi curățată în mașina de spălat vase.

Destinația produsului

- Acest aparat este destinat uzului casnic și pentru bufet.
- Cuptorul cu microunde este proiectat numai pentru încălzirea și dezghețarea produselor alimentare utilizând mancaruri adecvate. Orice alta utilizare poate duce la deteriorarea cuptorului cu microunde sau a vatămării corporale.
- Utilizarea aparatului în orice alt scop reprezintă o utilizare incorectă. Utilizatorul este singurul răspunzător de orice utilizare incorectă a aparatului.

Instalația de împământare

Acest aparat este încadrat în clasa de protecție I și trebuie împământat. Împământarea reduce riscul electrocutării prin asigurarea unui fir de ieșire pentru curentul electric. Acest aparat

este dotat cu un cablu cu fir de împământare cu fișă. Fișa trebuie conectată la o priză instalată corespunzător și împământată.

Instrumente

Este posibil ca utilizarea în acest cuptor cu microunde a anumitor ustensile nemetalice să nu fie sigură. Dacă aveți îndoieli, puteți verifica ustensila urmând procedura de mai jos.

Testarea ustensilelor:

Puneți în cuptorul cu microunde un recipient sigur în care ați turnat 1 cană de apă rece (aproximativ 250 ml) și în care ați pus și ustensilele respective. Dați aparatul la putere

maximă timp de 1 minut. Pipăiți ustensilele cu atenție. În cazul în care acestea se încălzesc, NU le folosiți în cuptorul cu microunde. Nu lăsați ustensilele la încălzit mai mult de 1 minut.

RO

Ghid privind ustensilele de gătit

Regăsiți mai jos un ghid general care să vă ajute să alegeți ustensilele adecvate:

Ustensila de gătit	Cuptor cu microunde	Modul grătar	Modul combinat	Observație
Sticlă termorezistentă	✓	✓	✓	
Sticlă ne-termorezistentă	x	x	x	
Ceramică termorezistentă	✓	✓	✓	
Farfurii din plastic adecvate pentru cuptorul cu microunde	✓	x	x	Nu sunt adecvate pentru temperaturi ridicate.
Hârtie de bucătărie	✓	x	x	O durată scurtă, doar pentru încălzirea ușoară. Utilizare supravegheată.
Tavă metalică	x	✓	x	Dacă se introduce în cuptor se pot produce arcuri electrice.
Raft metalic	x	✓	x	
Folie și vase de aluminiu	x	✓	x	

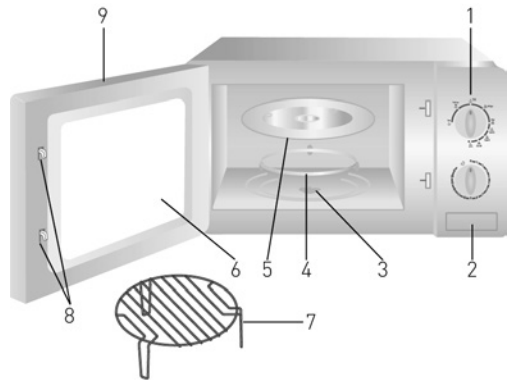
✓: Adecvat pentru utilizare într-un regim corespunzător. Respectați instrucțiunile producătorului și atunci când capacul este îndepărtat. Nu folosiți aparatul dacă suprafața este fisurată sau avariată.

x: Nu este adecvat pentru utilizare în modul respectiv.



Principalele piese ale aparatului

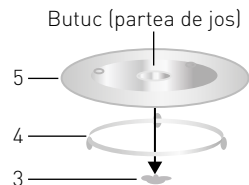
1. Panoul de comandă (Vezi Fig. 1)
2. Buton de deschidere a ușii
3. Axul mesei rotative
4. Rola mesei rotative
5. Masă rotativă din sticlă
6. Fereastră din sticlă
7. Grătarul (se utilizează doar în modul grătar)
8. Mecanismul de blocare a ușii
9. Ușă



Instalarea mesei rotative

- Nu așezați niciodată masa rotativă de sticlă (5) cu partea de jos în sus.
- În timpul gătirii trebuie folosite atât rola mesei rotative (4) cât și masa rotativă din sticlă (5).
- Toate alimentele și băuturile care trebuie preparate trebuie așezate pe masa rotativă de sticlă (5).
- Așezați rola mesei rotative (4) și masa de sticlă (5) aliniată pe verticală cu axul mesei rotative (3). Verificați ca rotirea să se facă lin.
- Curățați masa rotativă din sticlă (5) după fiecare utilizare.

- **Atenție:** NU folosiți cuptorul dacă masa rotativă (5) sau rola mesei rotative (4) prezintă fisuri sau deteriorări și luați imediat legătura cu furnizorul.
- Utilizați doar rola (4) și masa rotativă din sticlă (5) livrate.



Pregătirea înainte de prima utilizare

- Desfaceți ambalajul și învelitoarea de protecție.
- Asigurați-vă că aparatul nu este defect. În cazul în care livrarea este incompletă sau dacă există avarii. Luați legătura cu furnizorul (Vezi ==> Garanția).
- Curățați aparatul înainte de utilizare (Vezi ==> Curățarea și întreținerea).
- Asigurați-vă că aparatul este complet uscat.
- Amplasați aparatul pe o suprafață orizontală, stabilă și rezistentă la căldură, care este protejată împotriva stropilor de apă.

- Nu amplasați aparatul în imediata apropiere a dispozitivelor sensibile la perturbații prin surse magnetice (de ex. aparate radio, case-tofoane).

Notă: Resturile rămase din fabricație pot face ca aparatul să emită un ușor miros în timpul primelor cicluri de funcționare. Acest lucru este normal și nu este un semn de defecțiune sau de pericol. Asigurați-vă că aparatul este bine ventilat.

Modul de utilizare

- Așezați cuptorul cu microunde pe o suprafață plană, stabilă, termorezistentă, uscată și orizontală. Lăsați suficient spațiu pentru circulația de aer:
 - deasupra cuptorului cu microunde: 20 cm
 - în partea din spate: 5 cm
 - pe ambele laturi: 10 cm
- Deschideți ușa cuptorului cu microunde (9) prin apăsarea butonului de deschidere (2).
- Montați rola mesei rotative (4) și masa rotativă din sticlă (5) în poziția corectă. În caz contrar, aceasta nu se poate roti lin. (Vezi == > Instalarea mesei rotative).
- Introduceți ștecărul într-o priză electrică adecvată.

Note:

- Nu așezați cuptorul cu microunde în locuri în care se produce căldură, umezeală sau umiditate ridicată sau în vecinătatea materialelor combustibile.
- Verificați cordonul de alimentare să fie în stare bună și să nu treacă pe sub cuptorul cu microunde sau peste componente ascuțite.
- Ștecărul trebuie să fie ușor accesibil astfel ca să poată fi scos cu ușurință în caz de urgență.
- Atenție: Grătarul (7) se poate utiliza doar în modul grătar.
- Masa rotativă din sticlă (5) se folosește în toate modurile de funcționare: Microunde, grătar și combinate.
- Utilizați farfuriile adecvate atunci când utilizați grătarul (7), care să nu vină în contact cu pereții aparatului.
- Introduceți recipientul cu alimente și închideți ușa (9).

Setarea nivelului de putere și a ceasului:

- Setări puterea de gătit prin răsucirea butonului la nivelul de putere dorit, de la panoul de comandă (1). (Modul cuptor cu microunde, combinat sau grătar).
- Setări timpul de gătit (Intervalul: 0 min - 35 minute) prin răsucirea butonului ceasului la valoarea dorită.
- Cuptorul cu microunde va începe operația de gătit în mod automat, după ce puterea și ceasul au fost setate.
- După ce timpul setat pentru gătit s-a scurs, se va auzi un „dong”, iar operația de gătit se încheie.
- Acum puteți scoate mâncarea. Dacă este necesar, folosiți mănuși pentru cuptor (nu se livrează). Atenție la suprafața fierbinte.
- Cât timp aparatul nu este utilizat, ceasul trebuie să fie întotdeauna setat la „0”.

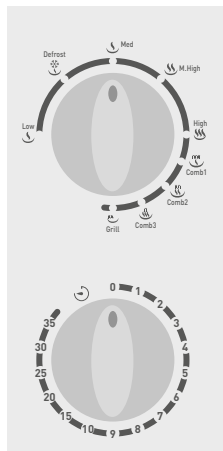


Fig. 1



Funcție	Puterea de ieșire aproximativă	Scopul utilizării
Temperatură scăzută	120W	Înmuierea înghețatei
Decongelare	230W	Încălzire supă, înmuierea untului sau dezghețare
Med	385W	Tocană, pește
M. Temperatură ridicată	540W	Orez, pește, pui, carne tocată
Temperatură ridicată	700W	Reîncălzirea laptelui, zarzavaturi, fierberea apei, băuturi

Notă: În tabelul de mai sus sunt indicate nivelurile puterii de ieșire a cuptorului și nu se referă la grătar sau la consumul de putere al aparatului. Scopurile respective sunt doar informative.

Funcție	Utilizare	Scopul utilizării
Comb1	80% din timp: grătar; 20% din timp: microunde	Frigerea biftecului, cărnii tocate, chebapului, cărnașilor și bucăților de pui.
Comb2	70% din timp: grătar; 30% din timp: microunde	Bucăți de pui, cotlete de porc, pește
Comb3	60% din timp: grătar; 40% din timp: microunde	Budinci, omlete, morcovi și legume coapte.
Grătar	100% din timp: grătar	Coacerea pâinii, alimente feliate

Notă:

- În tabelul de mai sus se arată funcționarea în modul combinat și grătar.
- În momentul în care scoateți mâncarea din aparat, verificați dacă acesta este scos din priză aducând ceasul la poziția „0”. În caz contrar, aparatul poate fi avariat.
- Cele 2 tabele de mai sus sunt doar informative. Timpul efectiv de gătire și puterea setată pot să difere în funcție de efectul de gătire dorit. Timpul de gătire și puterea pot fi setate și manual, dacă este necesar.

RO

Sugestii pentru gătit

- Aparatul poate fi deschis în orice moment în timpul gătirii. De exemplu, poate fi necesară amestecarea alimentelor sau verificarea acestora pentru a vedea dacă s-au gătit sau nu.
- Pentru a termina procesul de gătire, ceasul trebuie adus manual la poziția „0”.
- Acum puteți scoate mâncarea. Dacă este necesar, folosiți mănuși pentru cuptor (nu se livrează). Atenție la suprafața fierbinte.
- Cât timp aparatul nu este utilizat, ceasul trebuie să fie întotdeauna setat la „0”.

Curățarea și întreținerea

Atenție: Scoateți întotdeauna aparatul din priză și lăsați-l să se răcească complet înainte de curățare și depozitare.

Curățare

- Nu scufundați niciodată aparatul în apă sau în alte lichide.
- Curățați suprafața exterioară răcită cu o cârpă ușor umezită sau un burete cu o soluție delicată de săpun.
- Nu folosiți niciodată bureți sau detergenți abrazivi, bureți de sârmă sau ustensile metalice pentru a curăța părțile interioare sau exterioare ale aparatului.
- Masa rotativă din sticlă (5) poate fi demontată pentru curățare. Trebuie multă atenție la curățarea mesei rotative (5) pentru a se evita deteriorările. Masa se curăță cu apă caldă și cu detergent.



- Răsuciți rola (4), iar fundul incintei trebuie curățat regulat din motive de igienă și pentru a menține rotirea rolei mesei (4) fără impedimente.
- Lampa din interiorul cuptorului poate fi înlocuită. Dar schimbarea trebuie făcută de un tehnician autorizat.

Depozitarea

- Asigurați-vă întotdeauna înainte de depozitare că aparatul a fost deconectat de la sursa de alimentare și s-a răcit complet.
- Depozitați aparatul într-un loc răcoros, curat și uscat.

Depanarea

Dacă aparatul nu funcționează bine, consultați tabelul de mai jos pentru a găsi soluția. Dacă tot nu puteți rezolva problema, luați legătura cu furnizorul/agentul de service.

Probleme	Cauză posibilă	Soluție posibilă
Aparatul nu pornește.	- Ștecărul nu este bine conectat la priza electrică. - Ceasul este setat la poziția „0”. - Ușa (9) nu este bine închisă.	- Verificați ștecărul pentru a vă asigura că este conectat corect. - Ceasul trebuie setat la timpul de gătire dorit. - Verificați dacă ușa (9) este închisă și blocată.
Masa rotativă din sticlă (4) face zgomot în timpul funcționării.	- Masa rotativă de sticlă (5) nu este instalată corect. - Fundul incintei nu este plan din cauza resturilor de mâncare rămase.	- Verificați dacă masa rotativă de sticlă (5) este instalată corect. - Curățați fundul incintei pentru a vă asigura că este plan.

Specificația tehnică

Articol nr.: 281710

Tensiune și frecvență: 230V~ 50Hz

Frecvența cuptorului cu microunde: 2450 MHz

Puterea nominală de intrare (pentru microunde): 1050W

Puterea nominală de ieșire (pentru microunde): 700W

Puterea nominală de intrare (pentru grătar): 1000W

Capacitatea cuptorului: 20 litri

Setarea ceasului: 0 min ~ 35 min

Clasa de protecție: Clasa I

Dimensiune: 440 x 330 x (H) 259 mm

RO

Observație: Specificația tehnică poate fi modificată fără preaviz.

Garanție

Orice defecțiune care afectează funcționarea aparatului apărută la mai puțin de un an de la cumpărarea acestuia va fi remediată prin reparație sau înlocuire gratuită, cu condiția ca aparatul să fi fost folosit și întreținut conform instrucțiunilor nu să nu fi fost bruscat sau folosit necorespunzător în vreun fel. Drepturile dumneavoastră legale nu sunt afectate. Dacă

aparatul este în garanție, menționați când și de unde a fost cumpărat și includeți dovada cumpărării (de ex. chitanța).

Conform politicii noastre de dezvoltare continuă a produsului, ne rezervăm dreptul de a modifica produsul, ambalajul și documentația fără notificare.



Eliminarea și mediul înconjurător

La dezafectarea aparatului, produsul nu trebuie aruncat împreună cu alte deșeuri menajere. În schimb, este responsabilitatea dumneavoastră să eliminați echipamentul uzat prin predarea acestuia la un punct de colectare desemnat. Nerespectarea acestei reguli poate fi penalizată în conformitate cu reglementările aplicabile privind eliminarea deșeurilor. Colectarea separată și reciclarea echipamentului dumneavoastră uzat la momentul debarasării contribuie la conservarea resurselor natura-

le și asigură realizarea reciclării într-un mod care protejează sănătatea ființelor umane și a mediului. Pentru informații suplimentare privind modul în care puteți preda deșeurile dumneavoastră în scopul reciclării, vă rugăm să contactați compania locală de colectare a deșeurilor. Producătorii și importatorii nu își asumă responsabilitatea cu privire la reciclarea, tratarea și eliminarea ecologică a deșeurilor, fie direct, fie prin intermediul unui sistem public.

Большое Вам спасибо за то, что Вы купили оборудование фирмы Hendi. Вам следует внимательно прочитать настоящую инструкцию пользователя во избежание повреждения машины в результате неправильной эксплуатации. Особенно рекомендуем ознакомиться с предупреждениями.

Правила техники безопасности

- Неправильная эксплуатация и неподходящее использование агрегата может привести к его поломке и поранить оператора.
- Это оборудование предназначено для буфета и домашнего использования.
- Оборудование следует использовать точно по назначению. Производитель не несет ответственности за повреждения, вызванные неправильной эксплуатацией или неправильным обслуживанием оборудования.
- Оборудование и электрическую штепсельную вилку следует держать вдали от воды и прочих жидкостей. Если штепсельная вилка попадет в воду, ее следует тут же вытащить из розетки электропитания и обратиться в службу сертифицированного сервиса для проверки устройства. Несоблюдение данных указаний может повлечь за собой угрозу здоровью и жизни обслуживающего персонала.
- Нельзя снимать кожух без особого разрешения.
- Нельзя класть никаких посторонних предметов вовнутрь агрегата.
- Нельзя касаться мокрыми, или влажными руками штепсельной вилки.
- ⚡ **Опасность поражения током!** Не следует самостоятельно чинить электроаппаратуру. Любые поломки и неисправности должны устраняться квалифицированным персоналом.
- **Никогда не следует пользоваться поврежденной электроаппаратурой.** Поврежденное устройство нужно отсоединить от электросети и обратиться к продавцу.
- **Предупреждение:** не следует погружать электрических деталей в воду, или иные жидкости. Не омыwać в струе воды.
- Регулярно проверять вилку и провод электропитания на предмет повреждений. Поврежденные вилку или провод передать для ремонта в сервисную точку, или обратиться к квалифицированному электрику во имя предотвращения опасности травм.
- Удостовериться, что провод электропитания не касается острых и горячих предметов; держать электропровод вдали от открытого огня. Для того, чтобы вынуть вилку из розетки всегда нужно тянуть за вилку, а не за электропровод.
- Защитить провод электропитания (удлинитель) от случайного выпадения из розетки. Электропровод прокладывать так, чтобы случайно не зацепиться за него.
- Непрестанно наблюдать за работающей электроаппаратурой.
- **Предупреждение!** Если вилка находится в розетке – это означает, что электроаппаратура считается подключенной к электропитанию.




- Перед тем, как вынуть вилку из розетки, электроаппаратуру следует выключить!
- Никогда нельзя переносить, передвигать электроаппаратуру держа за электропровод.
- Не использовать никаких деталей, аксессуаров, которые не поставляются вместе с этой электроаппаратурой.
- Электроаппаратуру следует подключать исключительно к розетке, в которой имеется напряжение и частота, указанную на щитке электроаппаратуры.
- Вилку следует вставлять в розетку, расположенную в удобном и легкодоступном месте, так чтобы в случае аварии можно бы ее немедленно вынуть. Для полного обесточивания электроаппаратуры ее следует отсоединить от электропитания; для этого следует вынуть вилку, находящуюся на конце провода электропитания, из розетки.
- Перед тем, как вынуть вилку всегда следует помнить о том, чтобы сначала выключить электроаппаратуру!
- Не следует использовать детали, аксессуары, не рекомендуемые производителем данной электроаппаратуры, т.к. использование таких деталей, аксессуаров может создать для пользователя угрозу его здоровью и жизни, а также может привести к поломке электроаппаратуры. Следует всего использовать оригинальные детали, аксессуары.
- Без надлежащего контроля или предварительного обучения эксплуатации оборудования проводимого лицом, отвечающим за безопасную эксплуатацию, оборудованием не могут пользоваться ни дети, ни лица с ограниченными физическими, или психическими возможностями, ни лица, которые не обладают необходимым опытом работы и знаниями в данной области.
- Ни в коем случае нельзя допускать к использованию электроаппаратуры детей.
- Электроаппаратуру следует хранить в месте недоступном для детей.
- Нельзя разрешать детям использовать электроаппаратуру в качестве игрушки.
- Всегда электроаппаратуру следует отсоединить от электропитания, если оставляем ее без надзора, перед монтажом, демонтажем и чисткой.
- Нельзя оставлять работающую электроаппаратуру без надзора.

Специальные правила техники безопасности

- Это устройство предназначено исключительно для разогревания, размораживания, приготовления пищи и напитков, приготовления пищи на гриле. Сушка пищевых продуктов или одежды, а также подогревание подушек, тапочек, губок, влажных салфеток и т.п. может привести к травме или пожару.
- Используйте это устройство только в соответствии с настоящим руководством.
- Данное устройство предназначено для использования в домашних хозяйствах и в следующих местах:
 - в кухни для сотрудников в магазинах, офисах и других рабочих местах;



- в сельском хозяйстве;
- в кухни, предназначенной для гостей в отелях, мотелях и других жилых помещениях;
- в гостиницах типа „bed and breakfast”.

-  **Внимание! Горячая поверхность!** Во время работы устройства дверца и другие доступные поверхности нагреваются до очень высоких температур. Прикасайтесь только к панели управления.
- Не включайте устройство перед тем, как поместите пищу во внутрь печи, так как это может привести к его повреждению.
- Для приготовления пищи в устройстве используйте только посуду, подходящую для микроволновых печей. Не используйте посуду или столовые приборы, изготовленные из металла или содержащие его, алюминиевую фольгу, свинцовое стекло (хрусталь), пластмассу, не стойкую к высоким температурам, металлические или деревянные крепежные детали или проволочные стяжки. Не используйте миски с металлическим краем или пластиковые миски с приоткрытой крышкой. Опасность пожара.
- Из-за риска воспламенения, следите за процессом подогревания пищи, упакованной в пластиковые или бумажные контейнеры.
- Если вы заметите дым, выключите устройство или выньте вилку из розетки и не открывайте дверцу. Это позволит быстрее погасить огонь.
- Не включайте микроволновую печь, если в нее не помещены пищевые продукты. Это очень опасно.
- Не используйте микроволновую печь, если открыта дверца, так как это может привести к воздействию излучения микроволновой печи. Не снимайте предохранители и не манипулируйте ними.
- Не подгревайте в микроволновой печи яиц в скорлупе или вареных яиц, т.к. они могут взорваться, даже если процесс подогрева уже завершен.
- **ПРЕДУПРЕЖДЕНИЕ:** Если повреждены дверца или уплотнения дверцы, не используйте микроволновую печь до тех пор, пока её не отремонтирует специалист авторизованного сервиса.
- **ПРЕДУПРЕЖДЕНИЕ:** Опасно выполнять любые ремонтные работы, состоящие в снятии крышки, защищающей от воздействия микроволнового излучения лицами, не являющимися работниками авторизованного сервиса.
- **ПРЕДУПРЕЖДЕНИЕ:** Не нагревайте в микроволновой печи жидкость или другие пищевые продукты в закрытых контейнерах, бутылках и т.п. из-за риска взрыва контейнера, бутылки и т.п.
- **ПРЕДУПРЕЖДЕНИЕ:** Во избежание получения ожогов, содержимое бутылок или банок детского питания встряхните или перемешайте перед едой и проверьте температуру напитка или пищи.
- **ПРЕДУПРЕЖДЕНИЕ:** Нагревание напитков в микроволновой печи может привести к задержке сильного кипения. Будьте осторожны при перенесении контейнера.



- Устройство не следует встраивать в шкаф. Не закрывайте вентиляционные отверстия устройства. Информацию о количестве пространства вокруг устройства, которое следует оставить для правильного воздушного потока, смотрите в разделе „Перед использованием“.
- Посуда может нагреваться при контакте с горячей пищей. Чтобы вынуть пищу из устройства, используйте кухонные перчатки (не входят в комплект).
- Регулярно очищайте устройство и удаляйте остатки пищи из камеры печи.
- Если не держать печь в чистоте, это может привести к ухудшению состояния поверхности, что в свою очередь может негативно сказаться на сроке службы устройства и привести к опасной ситуации.
- Не используйте микроволновую печь в качестве места для хранения. В микроволновой печи не храните такие продукты, как хлеб, печенье и т.п.
- Устройство не предназначено для использования с внешним таймером или отдельной системой дистанционного управления.
- Будьте осторожны при помещении пищи в печь, чтобы не повредить вращающейся тарелки.
- **Внимание!** Правильно направьте и закрепите шнур питания, чтобы предотвратить случайное вытягивание или контакт с нагретой поверхностью.
- Не чистите устройство водой. Мойка устройства может привести к попаданию воды в электрические детали и привести к поражению электрическим током.
- Не чистите или не размещайте устройство в месте хранения до его полного охлаждения.
- Части устройства не следует мыть в посудомоечной машине

Назначение устройства

- Это оборудование предназначено для буфета и домашнего использования.
- Микроволновая печь предназначена для обогрева и размораживания еды при использовании подходящей посуды. Любое другое использование может привести к повреждению микроволновой печи или травме.
- Использование устройства для любых других целей будет рассматриваться, как использование не по назначению. Пользователь будет нести исключительную ответственность за неправильное использование устройства.

Монтаж заземления

Плита является устройством I класса защиты и должна быть заземлена. Заземление снижает риск поражения электрическим током за счет использования отводящего провода.

Вилка должна быть подключена к розетке переменного тока, которая надлежащим образом установлена и заземлена.

Посуда

Использование в микроволновой печи некоторой неметаллической посуды может быть опасно. В случае сомнений относительно того, можно ли использовать данную посуду в микроволновой печи, вы можете выполнить тест в соответствии со следующей инструкцией:



Испытание посуды:

Заполните контейнер, который вы хотите протестировать в микроволновой печи, 1 стаканом (250 мл) холодной воды и вложите данную посуду в камеру печи. Подогревайте в течение 1 минуты, используя максимальную мощность.

Осторожно прикоснитесь к испытательной посуде. Если посуда тёплая, она НЕ подходит для использования в микроволновой печи. Не нагревайте посуду более 1 минуты.

Список кухонной посуды

Следующий список поможет вам выбрать правильную кухонную посуду:

Кухонная посуда	Стандартный режим	Режим гриля	Комбинированный режим	Замечания
Стекло, устойчивое к высоким температурам	√	√	√	
Стекло, не устойчивое к высоким температурам	x	x	x	
Керамика устойчивая к высоким температурам	√	√	√	
Пластиковая посуда, пригодная для использования в микроволновых печах	√	x	x	Не подходит для использования при высоких температурах
Бумажные полотенца	√	x	x	Только короткий подогрев под наблюдением пользователя.
Металлические поддоны	x	√	x	Во время работы появляются искры.
Металлическая подставка	x	√	x	
Алюминиевая фольга и алюминиевые контейнеры	x	√	x	

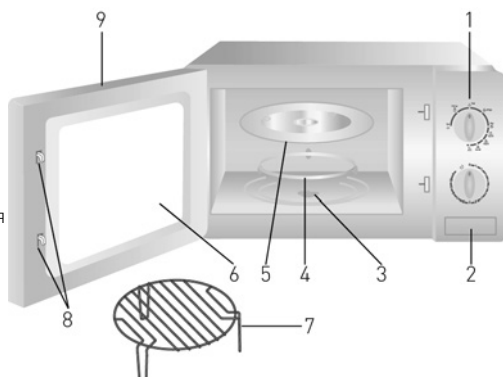
√: Допустимое использование в заданном режиме. Используйте только в соответствии с инструкцией производителя; не забудьте снять крышку, если данная посуда её имеет. Если поверхность посуды треснула или повреждена, не кладите ее в печь.

x: Не подходит для использования в заданном режиме.

RU

Основные части устройства

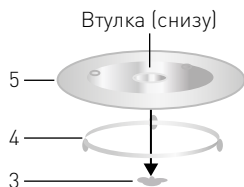
1. Панель управления (Смотри Рис. 1)
2. Кнопка открытия дверцы
3. Вал вращающейся тарелки
4. Поворотное кольцо
5. Стекло вращающаяся тарелка
6. Стекло окно
7. Подставка для гриля (для использования только в режиме гриля)
8. Механизм закрытия дверцы
9. Дверца



Монтаж вращающейся тарелки

- Никогда не располагайте вращающуюся тарелку (5) вверх дном.
- Во время работы устройства в печи должны находиться поворотное кольцо (4) и тарелка (5).
- Поместите продукты и напитки на стеклянную вращающуюся тарелку (5).
- Поместите поворотное кольцо (4) и вращающуюся тарелку (5) перпендикулярно по отношению к валу вращающейся тарелки (3). Убедитесь, что кольцо и тарелка плавно вращаются.
- Вымойте вращательную тарелку (5) после каждого использования.

- **Примечание:** НЕ используйте микроволновую печь, если вращающаяся тарелка (5) или поворотное кольцо (4) треснули или будут повреждены иным образом - в этом случае немедленно свяжитесь с поставщиком.
- Используйте только поворотное кольцо (4) и стеклянную вращающуюся тарелку (5), поставляемые с устройством.



Перед первым использованием

- Снимите и удалите упаковку и защиты.
- Убедитесь, что устройство не повреждено. В случае неполной поставки или повреждения свяжитесь с поставщиком (смотри ==> Гарантия).
- Очистите устройство (смотри ==> Очистка и техническое обслуживание).
- Убедитесь, что устройство полностью сухое.
- Поместите устройство на горизонтальной, стабильной поверхности, устойчивой к воздействию высоких температур и брызг жидкостей.

- Не размещайте устройство вблизи объектов, которые чувствительны к помехам, вызванным магнитным излучением (например, радиоприемники, кассетные магнитофоны).

Замечание: Из-за остатка от производственного процесса, в течение первых нескольких запусков из устройства может выходить неприятный запах. Это нормальное явление и не указывает на повреждение устройства или опасность для пользователя. Убедитесь, что устройство хорошо вентилируется.

Обслуживание

- Поместите микроволновую печь на ровную, устойчивую, сухую и горизонтальную поверхность, устойчивую к высоким температурам. Для обеспечения необходимого потока воздуха, оставьте свободное пространство вокруг устройства в соответствии со следующей инструкцией:
 - над печью: 20 см
 - за печью: 5 см
 - по бокам печи: 10 см

- Откройте дверцу микроволновой печи (9), нажатием кнопки открытия дверцы (2).
- Поместите поворотное кольцо (4) и вращающуюся тарелку (5) в правильном положении. Размещение вышеуказанных частей в неправильном положении приведет к блокировке вращающейся тарелки (5). (Смотри ==> Монтаж вращающейся тарелки).
- Подключите вилку к подходящей розетке.

Примечание:

- Не размещайте микроволновую печь в местах, где выделяется тепло или очень влажно, а также вблизи легковоспламеняющихся материалов.
- Убедитесь, что шнур питания не поврежден, не находится под плитой или над острыми, или горячими поверхностями.
- Шнур питания должен быть подключен к электрической розетке, к которой не затруднен доступ, так чтобы в случае неисправности устройство можно было немедленно отключить его от источника питания.

- Примечание: Подставка для гриля (7) может использоваться только в режиме гриля.
- Вращающаяся тарелка (5) должна использоваться в каждом режиме: стандартном режиме, режиме гриля и комбинированном режиме.
- При использовании подставки для гриля (7), используйте подходящую посуду, чтобы она не касалась стенок устройства.
- Поместите пищу в соответствующую емкость и закройте дверцу (9).

Установка уровней мощности и таймера:

- Установите мощность устройства, повернув ручку на панели управления (1) на выбранную мощность. [Стандартный режим, режим гриля и комбинированный].
- Установите время работы (диапазон: 0 мин ~ 35 мин), поворачивая ручку времени на выбранное значение.
- Печь автоматически начнет работать после установки мощности и времени.
- Через определенный промежуток времени раздастся звуковой сигнал, и устройство перестанет работать.
- Пищу можно вынуть из печи. При необходимости используйте кухонные перчатки (не входят в комплект). Обращайте внимание на горячую поверхность устройства.
- Если устройство не используется, установите таймер на значение „0“.

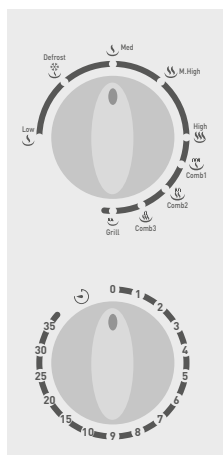


Рис. 1

RU

Функция	Расчетная выходная мощность	Использование
Низкая мощность	120 Вт	Легкое размораживание мороженого
Размораживание	230 Вт	Подогревание супа, смягчение масла или размораживание
Средняя мощность	385 Вт	Приготовление гуляша, рыбы
Средневысокая мощность	540 Вт	Приготовление риса, рыбы, курицы, мясного фарша
Высокая мощность	700 Вт	Подогревание молока, овощей, кипячение воды, подогревание других напитков

Примечание: В приведенной выше таблице указаны только уровни выходной мощности микроволновой печи, а не уровень мощности гриля или потребляемой мощности устройства. Вышеуказанные данные предназначены исключительно для информации.



Функция	Программа	Использование
Комбинированный режим 1	80% времени: режим гриля; 20% времени: стандартный режим;	Приготовление на гриле стейков, мясного фарша, люля кебабов, колбасы и кусочков курицы.
Комбинированный режим 2	70% времени: режим гриля; 30% времени: стандартный режим;	Куриные части, свиная отбивная, рыба
Комбинированный режим 3	60% времени: режим гриля; 40% времени: стандартный режим;	Пудинги, омлеты, печёная морковь и другие овощи
Режим гриля	100% времени: режим гриля;	Запеченный хлеб, нарезанные блюда

Примечание:

1. В приведенной выше таблице показана программа соединения стандартного режима и режима гриля.
2. Прежде чем вынуть пищу из печи, убедитесь, что устройство выключено (таймер установлен на значение „0“). В противном случае устройство может быть повреждено во время вынимания пищи.
3. Вышеуказанные таблицы имеют исключительно информационный характер. Фактическое время приготовления пищи и установка мощности зависят от желаемого эффекта приготовления пищи в печи. При необходимости измените время приготовления пищи и установку мощности вручную.

Советы по приготовлению пищи в микроволновой печи

- При необходимости устройство может быть открыто в любое время во время его работы, чтобы, например, перевернуть или перемешать пищу, или проверить ее состояние.
- Чтобы завершить процесс приготовления пищи, установите переключатель времени в положение «0».
- Пищу можно вынуть из печи. При необходимости используйте кухонные перчатки (не входят в комплект). Обращайте внимание на горячую поверхность устройства.
- Если устройство не используется, установите таймер на значение „0“.

Очистка и техническое обслуживание

Замечание: Перед очисткой и размещением устройства на хранение, всегда отключайте устройство от электросети и подождите, пока плита остынет.

Очистка

- Никогда не погружайте устройство в воду или другую жидкость.
- После охлаждения наружной поверхности очищайте её влажной тканью или губкой с небольшим количеством раствора мягкого моющего средства.
- Для очистки внутренней поверхности и наружных частей устройства, никогда не используйте абразивные губки или абразивные моющие средства, а также губки с металлической мочалкой или металлический инструмент.
- Вращающуюся тарелку (5) можно вынуть для очистки. Будьте особенно внимательны при чистке вращающейся тарелки (5), чтобы избежать её повреждения. Вымойте тарелку теплой мыльной водой.
- Регулярно очищайте поворотное кольцо (4) и дно камеры печи по гигиеническим соображениям и для обеспечения правильного поворота кольца (4).
- Лампочку внутри камеры печи можно заметить, однако это должен сделать квалифицированный специалист по техническому обслуживанию.

Хранение

- Перед помещением на хранение, убедитесь, что устройство отключено от сети и полностью остыло.
- Храните устройство в холодном, чистом и сухом месте.

Диагностика

Если устройство не работает должным образом, обратитесь к приведенной ниже таблице, чтобы найти правильное решение. Если вы все еще не можете решить проблему, обратитесь к поставщику.

Проблема	Возможная причина	Возможное решение
Устройство не включается.	<ul style="list-style-type: none">- Вилка неправильно подключена к сетевой розетке.- Таймер установлен на значение „0“.- Дверца печи (9) не закрыта должным образом.	<ul style="list-style-type: none">- Убедитесь, что вилка правильно подключена к электрической розетке.- Установите ручку таймера на нужное значение.- Убедитесь, что дверца (9) правильно закрыта.
Во время работы устройства стеклянная вращающаяся тарелка (5) издаёт громкие звуки.	<ul style="list-style-type: none">- Стеклянная вращающаяся тарелка (5) неправильно установлена.- На дне печи имеются остатки пищи, поэтому поверхность не плоская.	<ul style="list-style-type: none">- Убедитесь, что стеклянная вращающаяся тарелка (5) правильно установлена.- Очистите дно камеры печи от всех остатков, которые препятствуют движению тарелки.

Технические характеристики

Номер продукта: 281710

Рабочее напряжение и частота: 230В~ 50Гц

Частота микроволн: 2450 МГц

Номинальная потребляемая мощность (стандартный режим): 1050 Вт

Номинальная выходная мощность (стандартный режим): 700 Вт

Номинальная потребляемая мощность (режим гриля): 1000 Вт

Ёмкость камеры печи: 20 литров

Диапазон установки времени таймера: 0 мин – 35 мин

Степень защиты: I Класс

Размеры: 440 x 330 x (H) 259 mm

Внимание: Технические характеристики могут быть изменены без предварительного уведомления.

RU



Гарантия

Любая неподелка или поломка, которая влечет за собой неправильную работу устройства, которая будет выявлена в течение первого года от даты покупки, будет устранена бесплатно, или же все устройство будет заменено новым, если оно эксплуатировалось и обслуживалось согласно инструкции по обслуживанию и не использовалось неправильно, или в разрез с назначением. Данное положение ни в коей мере не нарушает иных прав потребителя, изложенных в законодательстве. В случае заявления устройства

в ремонт или на замену в рамках гарантии, следует указать место и дату покупки устройства и приложить счет, или чековую квитанцию.

Согласно нашей политике совершенствования наших продуктов оставляем за собой право на ввод изменений в конструкцию, упаковку и в технические параметры, указываемые в технической документации без предупреждения.

Утилизация и защита окружающей среды

В случае вывода оборудования из эксплуатации, продукт нельзя утилизировать вместе с другими бытовыми отходами. Пользователь несет ответственность за передачу оборудования в соответствующий пункт приема техники бывшей в употреблении. Несоблюдение вышеуказанного положения может привести к наложению штрафов в соответствии с действующими правилами в отношении утилизации отходов. Селективный сбор и утилизация использованного оборудования способствуют сохранению природных

ресурсов и обеспечивают рециркуляцию таким образом, который не вреден для здоровья и окружающей среды. Для получения дополнительной информации о том, где можно отдать использованное оборудование для утилизации, обратитесь в местную компанию по сбору отходов. Производитель и импортер не несут ответственности за рециркуляцию и переработку отходов экологически безопасным способом, как непосредственно, так и в рамках государственной системы.

Ευχαριστούμε που αγοράσατε αυτό το προϊόν Hendi. Διαβάστε προσεκτικά το παρόν εγχειρίδιο πριν συνδέσετε τη συσκευή, προκειμένου να προλάβετε πιθανή βλάβη που μπορεί να οφείλεται σε λανθασμένη χρήση. Διαβάστε ιδίως τους κανονισμούς ασφαλείας πολύ προσεκτικά.


Κανονισμοί ασφαλείας

- Η συσκευή ενδείκνυται για χρήση σε μπουφέ και οικιακή χρήση.
- Η συσκευή πρέπει να χρησιμοποιείται μόνο για τον σκοπό για τον οποίο προορίζεται και σχεδιάστηκε. Ο κατασκευαστής δεν ευθύνεται για τυχόν ζημιές που προκλήθηκαν από εσφαλμένη λειτουργία και ακατάλληλη χρήση.
- Κρατήστε τη συσκευή και το βύσμα μακριά από νερό και άλλα υγρά. Σε περίπτωση που η συσκευή πέσει μέσα σε νερό, αφαιρέστε αμέσως το βύσμα από την πρίζα και μην τη χρησιμοποιήσετε μέχρι να ελεγχθεί η συσκευή από πιστοποιημένο τεχνικό. Η μη τήρηση των οδηγιών ενδέχεται να προκαλέσει κίνδυνο προς τη ζωή.
- Μην επιχειρήσετε ποτέ να ανοίξετε μόνοι σας το περίβλημα της συσκευής.
- Μην εισάγετε αντικείμενα στο περίβλημα της συσκευής.
- Μην αγγίζετε το βύσμα με υγρά χέρια.
- ⚠ **Κίνδυνος ηλεκτροπληξίας!** Μην επιχειρήσετε να επισκευάσετε μόνοι σας τη συσκευή. Σε περίπτωση δυσλειτουργίας, οι επισκευές πρέπει να διενεργούνται μόνο από εξειδικευμένο προσωπικό.
- **Μην χρησιμοποιείτε ποτέ συσκευή με βλάβη!** Σε περίπτωση βλάβης, αποσυνδέστε τη συσκευή από την πρίζα και επικοινωνήστε με τον πωλητή.
- **Προειδοποίηση!** Μην βυθίζετε τα ηλεκτρικά μέρη της συσκευής σε νερό ή άλλα υγρά. Μην βάζετε ποτέ τη συσκευή κάτω από τρεχούμενο νερό.
- Ελέγχετε τακτικά το βύσμα και το καλώδιο τροφοδοσίας για τυχόν ζημιές. Εάν το βύσμα ή το καλώδιο τροφοδοσίας είναι κατεστραμμένο, πρέπει να αντικατασταθεί από τεχνικό σέρβις ή εξειδικευμένα άτομα για την αποφυγή τυχόν κινδύνου ή τραυματισμού.
- Βεβαιωθείτε ότι το καλώδιο δεν έρχεται σε επαφή με αιχμηρά ή θερμά αντικείμενα και κρατήστε το μακριά από φωτιά. Για να βγάλετε το βύσμα από την πρίζα, να τραβάτε πάντα το βύσμα και όχι το καλώδιο.
- Βεβαιωθείτε ότι το καλώδιο (ή το καλώδιο επέκτασης) είναι τοποθετημένο έτσι ώστε να μην προκαλέσει κίνδυνο να σκοντάψει κανείς.
- Να προσέχετε πάντα τη συσκευή κατά τη χρήση.
- **Προειδοποίηση!** Όσο το βύσμα είναι στην πρίζα, η συσκευή είναι συνδεδεμένη στην πηγή τροφοδοσίας.
- Απενεργοποιήστε τη συσκευή πριν τραβήξετε το βύσμα από την πρίζα.
- Ποτέ μην μεταφέρετε τη συσκευή από το καλώδιο.
- Μην χρησιμοποιείτε συσκευές που δεν παρέχονται μαζί με τη συσκευή.
- Συνδέστε τη συσκευή μόνο σε ηλεκτρική πρίζα με τάση και συχνότητα που αναφέρονται στην ετικέτα της συσκευής.



- Συνδέστε το βύσμα σε μια εύκολα προσβάσιμη ηλεκτρική πρίζα έτσι ώστε σε περίπτωση έκτακτης ανάγκης η συσκευή να μπορεί να αποσυνδεθεί αμέσως. Για να απενεργοποιήσετε πλήρως τη συσκευή, βγάλτε το βύσμα από την πρίζα.
- Απενεργοποιείτε πάντα τη συσκευή πριν αποσυνδέσετε το βύσμα.
- Μην χρησιμοποιείτε ποτέ εξαρτήματα διαφορετικά από αυτά που συνιστώνται από τον κατασκευαστή. Σε αντίθετη περίπτωση, μπορεί να δημιουργηθεί κίνδυνος για τον χρήστη και να προκληθεί ζημιά στη συσκευή. Χρησιμοποιείτε μόνο αυθεντικά εξαρτήματα και αξεσουάρ.
- Αυτή η συσκευή δεν προορίζεται για χρήση από άτομα (συμπεριλαμβανομένων παιδιών) με μειωμένες σωματικές, αισθητήριες ή διανοητικές ικανότητες ή με έλλειψη πείρας και γνώσης.
- Αυτή η συσκευή δεν πρέπει, σε καμία περίπτωση, να χρησιμοποιείται από παιδιά.
- Κρατήστε τη συσκευή και το καλώδιο μακριά από παιδιά.
- Να αποσυνδέετε πάντα τη συσκευή από το ρεύμα εάν αφήνεται χωρίς επιτήρηση ή δεν χρησιμοποιείται και πριν από εργασίες συναρμολόγησης, αποσυναρμολόγησης ή καθαρισμού.
- Μην αφήνετε ποτέ τη συσκευή χωρίς επιτήρηση ενώ βρίσκεται σε λειτουργία.

Ειδικοί κανονισμοί ασφαλείας

- Η συσκευή παρέχεται για ζέσταμα, απόψυξη, ψήσιμο και παρασκευή τροφίμων ή ροφημάτων. Η ξήρανση τροφίμων ή το στέγνωμα ενδυμάτων και το ζέσταμα μαξιλαριών, παντοφλών, σφουγγαριών, βρεγμένων πανιών και άλλων παρόμοιων αντικειμένων μπορεί να οδηγήσει σε κίνδυνο τραυματισμού και ανάφλεξης.
- Χρησιμοποιείτε τη συσκευή μόνο όπως περιγράφεται στο παρόν εγχειρίδιο.
- Αυτή η συσκευή προορίζεται για οικιακή χρήση και παρόμοιες εφαρμογές, όπως
 - χώροι κουζίνας προσωπικού σε καταστήματα, γραφεία και άλλα εργασιακά περιβάλλοντα,
 - αγροικίες,
 - από πελάτες σε ξενοδοχεία, μοτέλ και άλλα περιβάλλοντα στέγασης,
 - περιβάλλοντα πανδοχείων.
-  **Προσοχή! Καυτή επιφάνεια!** Η θερμοκρασία της πόρτας και κάθε προσβάσιμης επιφάνειας είναι πολύ υψηλή κατά τη χρήση. Να αγγίζετε μόνο τον πίνακα ελέγχου.
- Μην χρησιμοποιείτε τη συσκευή χωρίς να έχετε τοποθετήσει φαγητό μέσα στον φούρνο καθώς μπορεί να προκληθεί βλάβη στη συσκευή.
- Χρησιμοποιείτε μόνο σκεύη που είναι κατάλληλα για χρήση σε φούρνο μικροκυμάτων. Μην χρησιμοποιείτε δοχεία ή μαχαιροπίρουνα που είναι κατασκευασμένα από ή περιέχουν μέταλλο, αλουμίνιο, κρυστάλλινα γυάλινα σκεύη με μόλυβδο, πλαστικά ευαίσθητα στις υψηλές θερμοκρασίες, ξύλινα ή μεταλλικά κλιπ ή συρμάτινα δεσίματα. Μην χρησιμοποιείτε μπόλ με στρογγυλεμένα άκρα ή πλαστικά δοχεία με εν μέρει αφαιρεμένο το καπάκι. Κίνδυνος πυρκαγιάς.
- Κατά το ζέσταμα φαγητού σε πλαστικά ή χάρτινα σκεύη, παρακολουθείτε το φούρνο καθώς υπάρχει πιθανότητα ανάφλεξης.

- Εάν εξέρχεται καπνός, απενεργοποιήστε ή αποσυνδέστε τη συσκευή από το ρεύμα και κρατήστε την πόρτα κλειστή για να καταστείλετε τυχόν φλόγες.
- Μην χρησιμοποιείτε ποτέ αυτή τη συσκευή χωρίς να έχετε τοποθετήσει φαγητό μέσα στον φούρνο καθώς αυτό είναι πολύ επικίνδυνο.
- Μην επιχειρήσετε να χρησιμοποιήσετε τον φούρνο μικροκυμάτων με την πόρτα ανοικτή καθώς αυτό μπορεί να οδηγήσει σε επιβλαβή έκθεση σε μικροκυματική ενέργεια. Μην σπάτε ή παρακάμψετε τις συνδέσεις ασφαλείας.
- Αυγά με το κέλυφός τους και ολόκληρα βραστά αυγά δεν πρέπει να ζεσταίνονται στον φούρνο μικροκυμάτων καθώς ενδέχεται να εκραγούν, ακόμα και μετά το ζέσταμα.
- **ΠΡΟΕΙΔΟΠΟΙΗΣΗ:** Εάν η πόρτα ή τα σφραγίσματα της πόρτας έχουν υποστεί ζημιά, η συσκευή δεν πρέπει να λειτουργήσει μέχρι να επισκευαστεί από πιστοποιημένο τεχνικό.
- **ΠΡΟΕΙΔΟΠΟΙΗΣΗ:** Είναι επικίνδυνο για οποιοδήποτε άτομο πέραν του πιστοποιημένου τεχνικού να πραγματοποιήσει οποιαδήποτε εργασία συντήρησης ή επισκευής που περιλαμβάνει την αφαίρεση του καλύμματος που παρέχει προστασία από την έκθεση σε μικροκυματική ενέργεια.
- **ΠΡΟΕΙΔΟΠΟΙΗΣΗ:** Υγρά και άλλα τρόφιμα δεν πρέπει να θερμαίνονται σε σφραγισμένα σκεύη καθώς ενδέχεται να εκραγούν.
- **ΠΡΟΕΙΔΟΠΟΙΗΣΗ:** Το περιεχόμενο στα μπιμπερό και τα βάζα βρεφικής τροφής πρέπει να ανακινείται και να ελέγχεται η θερμοκρασία πριν από τη χρήση για να αποφύγετε τυχόν εγκαύματα.
- **ΠΡΟΕΙΔΟΠΟΙΗΣΗ:** Το ζέσταμα ροφημάτων μπορεί να οδηγήσει σε καθυστερημένο απότομο βρασμό και γι' αυτό πρέπει να χειρίζεστε με προσοχή το σκεύος.
- Η συσκευή πρέπει να χρησιμοποιείται αυτόνομα, χωρίς στήριγμα. Μην καλύπτετε τις οπές εξαερισμού. Πληροφορίες σχετικά με τον χώρο (επάνω/πίσω/πλάι) που απαιτείται για την επαρκή κυκλοφορία του αέρα μπορείτε να βρείτε στην ενότητα «Πριν από τη χρήση».
- Τα πιάτα μπορεί να θερμανθούν λόγω του θερμαινόμενου φαγητού. Χρησιμοποιείτε γάντια φούρνου (δεν περιλαμβάνονται) για να αφαιρείτε τα τρόφιμα από τη συσκευή.
- Ο φούρνος μικροκυμάτων πρέπει να καθαρίζεται τακτικά και να αφαιρούνται τυχόν υπολείμματα τροφίμων.
- Εάν η συσκευή δεν διατηρείται καθαρή, θα προκληθεί φθορά της επιφάνειας, η οποία μπορεί να επηρεάσει δυσμενώς τη διάρκεια ζωής της συσκευής και να επιφέρει επικίνδυνη κατάσταση.
- Μην χρησιμοποιείτε τον φούρνο ως χώρο αποθήκευσης. Μην αποθηκεύετε τρόφιμα, όπως ψωμί, μπισκότα κλπ., μέσα στον φούρνο.
- Ο φούρνος μικροκυμάτων δεν προορίζεται για λειτουργία μέσω εξωτερικού χρονοδιακόπτη ή ξεχωριστού συστήματος τηλεχειρισμού.
- Τοποθετείτε προσεκτικά το φαγητό μέσα στον φούρνο μικροκυμάτων για να αποφύγετε τυχόν ζημιά του γυάλινου περιστρεφόμενου δίσκου.
- **Προσοχή!** Στερεώστε, εάν είναι απαραίτητο, το καλώδιο τροφοδοσίας για να αποφύγετε τυχόν ακούσιο τράβηγμα ή επαφή με την επιφάνεια θέρμανσης.



- Μην πλένετε τη συσκευή με νερό. Το πλύσιμο μπορεί να προκαλέσει διαρροές και να αυξήσει τον κίνδυνο ηλεκτροπληξίας.
- Μην καθαρίζετε ή αποθηκεύετε τη συσκευή εάν δεν έχει κρυώσει πλήρως.
- Τα εξαρτήματα της συσκευής δεν είναι κατάλληλα για πλυντήριο πιάτων.

Προβλεπόμενη χρήση

- Η συσκευή ενδείκνυται για χρήση σε μπουφέ και οικιακή χρήση.
- Ο φούρνος μικροκυμάτων έχει σχεδιαστεί μόνο για τη θέρμανση και την απόψυξη τροφίμων χρησιμοποιώντας κατάλληλα πιάτα. Οποιαδήποτε άλλη χρήση μπορεί να προκαλέσει ζημιά στο φούρνο μικροκυμάτων ή τραυματισμό.
- Η χρήση της συσκευής για οποιονδήποτε άλλο σκοπό θεωρείται εσφαλμένη. Ο χρήστης είναι αποκλειστικά υπεύθυνος για την μη κατάλληλη χρήση της συσκευής.

Γείωση

Αυτή η συσκευή ταξινομείται στην κλάση προστασίας Ι και πρέπει να συνδέεται με γείωση προστασίας. Η γείωση μειώνει τον κίνδυνο ηλεκτροπληξίας παρέχοντας ένα καλώδιο διαφυγής για το ηλεκτρικό ρεύμα. Αυτή η συσκευή είναι

εξοπλισμένη με καλώδιο που φέρει καλώδιο γείωσης με βύσμα γείωσης. Το βύσμα πρέπει να είναι συνδεδεμένο σε σωστά τοποθετημένη και γειωμένη πρίζα.

Σκεύη

Μπορεί να υπάρχουν μη μεταλλικά σκεύη που δεν είναι κατάλληλα για χρήση σε αυτόν τον φούρνο μικροκυμάτων. Εάν έχετε αμφιβολίες, μπορείτε να ελέγξετε το σκεύος ακολουθώντας την παρακάτω διαδικασία.

Δοκιμή σκεύους:

Τοποθετήστε μέσα στο φούρνο μικροκυμάτων το σκεύος μαζί με ένα δοχείο με κρύο νερό (περίπου 250ml) που είναι κατάλληλο για χρήση σε φούρνο μικροκυμάτων. Λειτουργήστε τη συσκευή στη μέγιστη ισχύ για 1 λεπτό. Αγγίξτε προσεκτικά

το σκεύος. Εάν το σκεύος είναι ζεστό, ΜΗΝ το χρησιμοποιήσετε στο φούρνο μικροκυμάτων. Μην χρησιμοποιήσετε το σκεύος στο φούρνο μικροκυμάτων για πάνω από 1 λεπτό.

Οδηγός μαγειρικών σκευών

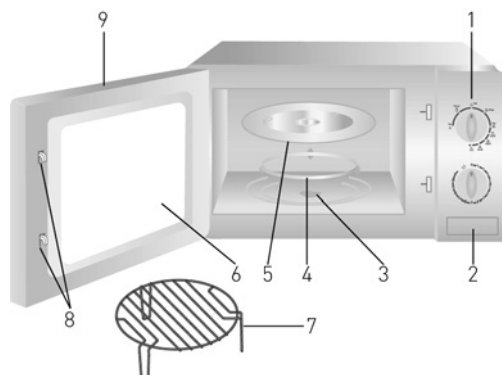
Ακολουθούν γενικές οδηγίες που θα σας βοηθήσουν να επιλέξετε τα κατάλληλα σκεύη:

Μαγειρικό σκεύος	Λειτουργία φούρου μικροκυμάτων	Λειτουργία γκριλ	Λειτουργία συνδυασμού	Σημείωση
Γυάλινο σκεύος ανθεκτικό στη θερμότητα	✓	✓	✓	
Γυάλινο σκεύος μη ανθεκτικό στη θερμότητα	x	x	x	
Κεραμικό σκεύος ανθεκτικό στη θερμότητα	✓	✓	✓	
Πλαστικά πιάτα κατάλληλα για φούρνο μικροκυμάτων	✓	x	x	Μη κατάλληλα για υψηλές θερμοκρασίες
Χαρτί κουζίνας	✓	x	x	Σύντομη διάρκεια, μόνο για ζέσταμα. Χρήση με επιτήρηση.
Μεταλλικός δίσκος	x	✓	x	Παρατηρείται παραμόρφωση σε περίπτωση χρήσης σε φούρνο μικροκυμάτων.
Μεταλλική σχάρα	x	✓	x	
Αλουμινόχαρτο και δοχείο από αλουμίνιο	x	✓	x	

✓: Κατάλληλο για χρήση στην αντίστοιχη λειτουργία. Τηρείτε τις οδηγίες του κατασκευαστή και αφαιρείτε το καπάκι.
Na μη χρησιμοποιείται εάν η επιφάνεια έχει ρωγμές ή ζημιές.
x: Ακατάλληλο για χρήση στην αντίστοιχη λειτουργία.

Βασικά εξαρτήματα της συσκευής

1. Πίνακας ελέγχου (βλ. Εικ. 1)
2. Κουμπί ανοίγματος πόρτας
3. Περιστρεφόμενος άξονας
4. Περιστρεφόμενος οδηγός
5. Γυάλινος περιστρεφόμενος δίσκος
6. Γυάλινο παράθυρο
7. Σχάρα γκριλ (Χρησιμοποιείται μόνο σε λειτουργία γκριλ)
8. Μηχανισμός ασφάλισης πόρτας
9. Πόρτα

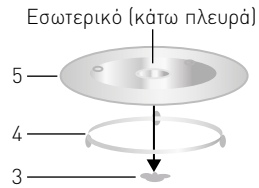


GR



Τοποθέτηση περιστρεφόμενων εξαρτημάτων

- Μην τοποθετείτε ποτέ τον γυάλινο περιστρεφόμενο δίσκο (5) ανάποδα.
- Χρησιμοποιείτε πάντα τον περιστρεφόμενο οδηγό (4) και τον γυάλινο δίσκο (5) για την προετοιμασία φαγητών.
- Όλα τα τρόφιμα και τα υγρά υλικά πρέπει να τοποθετούνται στο γυάλινο δίσκο (5).
- Τοποθετήστε τον περιστρεφόμενο οδηγό (4) και τον περιστρεφόμενο γυάλινο δίσκο (5) κάθετα προς τον περιστρεφόμενο άξονα (3). Βεβαιωθείτε ότι περιστρέφονται κανονικά.
- Καθαρίζετε τον γυάλινο δίσκο (5) μετά από κάθε χρήση.
- Προσοχή: ΜΗΝ χρησιμοποιείτε τον φούρνο μικροκυμάτων εάν ο γυάλινος δίσκος (5) ή ο περιστρεφόμενος οδηγός (4) έχει υποστεί ρωγμές ή ζημιές και επικοινωνήστε αμέσως με τον προμηθευτή σας.
- Χρησιμοποιείτε μόνο τον παρεχόμενο περιστρεφόμενο οδηγό (4) και γυάλινο δίσκο (5).



Προετοιμασία πριν από την πρώτη χρήση

- Αφαιρέστε κάθε προστατευτική συσκευασία και περιτύλιγμα.
- Βεβαιωθείτε ότι η συσκευή δεν φέρει ζημιές. Σε περίπτωση μη ολοκληρωμένης παράδοσης και ζημιών: Επικοινωνήστε με τον προμηθευτή (Βλ. ==> Εγγύηση).
- Καθαρίστε τη συσκευή πριν από τη χρήση (Βλ. ==> Καθαρισμός και συντήρηση).
- Βεβαιωθείτε ότι η συσκευή είναι τελειώς στεγνή.
- Τοποθετήστε τη συσκευή σε μια επιφάνεια, σταθερή και ανθεκτική στη θερμότητα επιφάνεια, προστατευμένη από το νερό.

- Μην τοποθετείτε τη συσκευή κοντά σε συσκευές που είναι ευαίσθητες στις παρεμβολές από μαγνητικές πηγές (π.χ. ραδιόφωνα, κασετόφωνα).

Σημείωση: Λόγω καταλοίπων από τη διαδικασία παραγωγής, η συσκευή ενδέχεται να παράγει μια ελαφριά μυρωδιά στους πρώτους κύκλους λειτουργίας της. Αυτό είναι φυσιολογικό και δεν υποδηλώνει ατέλεια ή κίνδυνο. Βεβαιωθείτε ότι η συσκευή διαθέτει καλό εξαερισμό.

Λειτουργία

- Τοποθετήστε τον φούρνο μικροκυμάτων σε μια επίπεδη, σταθερή, ανθεκτική στη θερμότητα και στεγνή οριζόντια επιφάνεια. Αφήστε χώρο για επαρκή αερισμό:
 - επάνω από τον φούρνο μικροκυμάτων: 20 cm
 - πίσω από τον φούρνο μικροκυμάτων: 5 cm
 - στο πλάι του φούρνου μικροκυμάτων: 10 cm

- Ανοίξτε την πόρτα (9) πιέζοντας το κουμπί ανοίγματος της πόρτας (2).
- Τοποθετήστε σωστά τον περιστρεφόμενο οδηγό (4) και τον γυάλινο δίσκο (5). Διαφορετικά, ο δίσκος δεν θα περιστρέφεται σωστά. (Βλ. = = > Τοποθέτηση περιστρεφόμενων εξαρτημάτων).
- Συνδέστε το βύσμα σε μια κατάλληλη πρίζα.

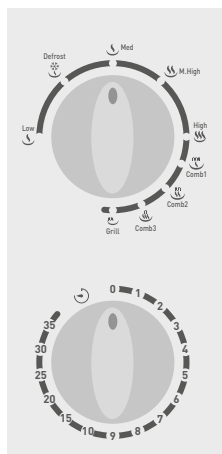


Σημειώσεις:

- Μην τοποθετείτε τον φούρνο μικροκυμάτων σε μέρος όπου δημιουργείται υψηλή θερμότητα ή υγρασία ή κοντά σε εύφλεκτα υλικά.
- Βεβαιωθείτε ότι το καλώδιο τροφοδοσίας δεν είναι φθαρμένο και δεν βρίσκεται κάτω από τον φούρνο μικροκυμάτων ή επάνω σε ζεστές ή αιχμηρές επιφάνειες.
- Το βύσμα πρέπει να είναι εύκολα προσβάσιμο έτσι ώστε να μπορεί να αποσυνδεθεί εύκολα σε περίπτωση έκτακτης ανάγκης.
- Προσοχή: Η σάρα γκριλ (7) μπορεί να χρησιμοποιείται μόνο σε λειτουργία Γκριλ.
- Ο γυάλινος δίσκος (5) πρέπει να χρησιμοποιείται σε όλες τις λειτουργίες: Λειτουργίες φούρνου μικροκυμάτων, γκριλ και συνδυασμού.
- Χρησιμοποιήστε κατάλληλα πιάτα όταν χρησιμοποιείτε τη σάρα (7) ώστε να μην ακουμπούν τα τοιχώματα της συσκευής.
- Τοποθετήστε το φαγητό μέσα στον φούρνο και κλείστε την πόρτα (9).

Ρύθμιση ισχύος και χρόνου:

- Ρυθμίστε την ισχύ μαγειρέματος περιστρέφοντας τον διακόπτη ισχύος στο επιθυμητό επίπεδο ισχύος στον πίνακα ελέγχου (1). (Λειτουργία φούρνου μικροκυμάτων, συνδυασμού ή γκριλ).
- Ρυθμίστε τον χρόνο μαγειρέματος (εύρος: 0 λεπτά ~ 35 λεπτά) περιστρέφοντας τον χρονοδιακόπτη στον επιθυμητό χρόνο μαγειρέματος.
- Ο φούρνος μικροκυμάτων ξεκινά να λειτουργεί αυτόματα όταν ρυθμιστεί το επίπεδο ισχύος και ο χρόνος.
- Μετά την ολοκλήρωση του χρόνου μαγειρέματος, θα ακουστεί ένας ήχος και η λειτουργία μαγειρέματος θα ολοκληρωθεί.
- Μπορείτε να βγάλετε το φαγητό από τον φούρνο. Χρησιμοποιήστε γάντια φούρνου εάν είναι απαραίτητο (δεν περιλαμβάνονται). Προσέξτε τη ζεστή επιφάνεια.
- Όταν η συσκευή δεν χρησιμοποιείται, ο χρονοδιακόπτης πρέπει να βρίσκεται πάντα στη θέση «0».



Εικ. 1

GR

Λειτουργία	Κατά προσέγγιση ισχύς εξόδου	Χρήση εφαρμογής
Χαμηλή	120W	Μαλάκωμα παγωτού
Απόψυξη	230W	Ζέσταμα σούπας, μαλάκωμα βουτύρου ή απόψυξη
Μεσαία	385W	Ζέσταμα, ψάρια
Μεσαία Υψηλή	540W	Ρύζι, ψάρια, κοτόπουλο, κιμάς
Υψηλή	700W	Ζέσταμα γάλακτος, λαχανικών, νερού, ροφημάτων

Σημείωση: Στον παραπάνω πίνακα, η στάθμη ενέργειας αναφέρεται μόνο στην έξοδο ισχύος του φούρνου μικροκυμάτων και όχι στο γκριλ ή την κατανάλωση ενέργειας της συσκευής. Η χρήση εφαρμογής παρέχεται μόνο για λόγους αναφοράς.



Λειτουργία	Λειτουργία	Χρήση εφαρμογής
Λειτ. συνδυασμού 1	80% χρόνου: γκριλ, 20% χρόνου: φούρνος μικροκυμάτων	Ψήσιμο μπριζόλας, κιμά, κεμπάμπι, λουκάνικων και κομματιών κοτόπουλου
Λειτ. συνδυασμού 2	70% χρόνου: γκριλ, 30% χρόνου: φούρνος μικροκυμάτων	Κομμάτια κοτόπουλου, χοιρινές μπριζόλες, ψάρια
Λειτ. συνδυασμού 3	60% χρόνου: γκριλ, 40% χρόνου: φούρνος μικροκυμάτων	Πουτίγκες, ομελέτες, ψητά καρότα και λαχανικά
Γκριλ	100% χρόνου: γκριλ	Ψήσιμο ψωμιού, τρόφιμα σε φέτες

Σημείωση:

1. Στον παραπάνω πίνακα αναφέρονται οι λειτουργίες συνδυασμού και γκριλ.
2. Όταν αφαιρείτε τα τρόφιμα από τη συσκευή, βεβαιωθείτε ότι η συσκευή είναι απενεργοποιημένη θέτοντας τον χρονοδιακόπτη στη θέση «0». Διαφορετικά, μπορεί να προκληθεί βλάβη στη συσκευή.
3. Οι παραπάνω 2 πίνακες παρέχονται μόνο για λόγους αναφοράς. Ο πραγματικός χρόνος μαγειρέματος και η ρύθμιση ισχύος ποικίλλουν ανάλογα με το επιθυμητό αποτέλεσμα μαγειρέματος. Αλλάξτε χειροκίνητα τον χρόνο και την ισχύ μαγειρέματος, εάν χρειάζεται.

Συμβουλές μαγειρικής

- Μπορείτε να ανοίξετε την πόρτα της συσκευής ανά πάσα στιγμή κατά τη διάρκεια της διαδικασίας μαγειρέματος. Μπορείτε, για παράδειγμα, να γυρίσετε ή να ανακατέψετε το φαγητό, ή να ελέγξετε εάν το φαγητό μαγειρεύεται ομοιόμορφα.
- Τερματίστε τη διαδικασία μαγειρέματος, θέτοντας χειροκίνητα τον χρονοδιακόπτη στη θέση «0».
- Μπορείτε να βγάλετε το φαγητό από τον φούρνο. Χρησιμοποιήστε γάντια φούρνου εάν είναι απαραίτητο (δεν περιλαμβάνονται). Προσέξτε τη ζεστή επιφάνεια.
- Όταν η συσκευή δεν χρησιμοποιείται, ο χρονοδιακόπτης πρέπει να βρίσκεται πάντα στη θέση «0».

GR

Καθαρισμός και Συντήρηση

Προσοχή: Να αποσυνδέετε πάντα τη συσκευή από την πρίζα και να την αφήνετε να κρυώνει τελείως πριν την καθαρίσετε και την αποθηκεύσετε.

Καθαρισμός

- Μην βυθίζετε ποτέ τη συσκευή σε νερό ή άλλα υγρά.
- Καθαρίζετε την στεγνή εξωτερική επιφάνεια με ένα ελαφρώς υγρό πανί ή σφουγγάρι με λίγο ήπιο διάλυμα σαπουνιού.
- Μην χρησιμοποιείτε τριπτικά σφουγγάρια ή απορρυπαντικά, σύρματα ή μεταλλικά σκεύη για τον καθαρισμό των εσωτερικών ή εξωτερικών μερών της συσκευής.
- Ο γυάλινος δίσκος (5) μπορεί να αφαιρεθεί για καθαρισμό. Προσέχετε ιδιαίτερα όταν καθαρίζετε τον γυάλινο δίσκο (5) για να αποφύγετε τυχόν ζημιές. Καθαρίστε τον με ζεστό σαπουνόνερο.
- Ο περιστρεφόμενος οδηγός (4) και το κάτω μέρος της κοιλότητας πρέπει να καθαρίζονται τακτικά για λόγους υγιεινής και προκειμένου ο περιστρεφόμενος οδηγός (4) να συνεχίσει να λειτουργεί σωστά.
- Η λυχνία στο εσωτερικό του φούρνου μπορεί να αντικατασταθεί μόνο από εξουσιοδοτημένο τεχνικό.

Αποθήκευση

- Πριν αποθηκεύσετε την συσκευή, βεβαιωθείτε ότι έχει αποσυνδεθεί από την πρίζα και έχει κρυώσει πλήρως.
- Φυλάσσετε τη συσκευή σε δροσερό, καθαρό και στεγνό χώρο.



Αντιμετώπιση προβλημάτων

Αν η συσκευή δεν λειτουργεί σωστά, συμβουλευτείτε τον παρακάτω πίνακα για πιθανές λύσεις. Αν συνεχίσετε να μην μπορείτε να επιλύσετε το πρόβλημα, επικοινωνήστε με τον προμηθευτή/πάροχο σέρβις.

Προβλήματα	Πιθανή αιτία	Πιθανή λύση
Η συσκευή δεν ανάβει.	<ul style="list-style-type: none">- Το βύσμα τροφοδοσίας δεν είναι σωστά συνδεδεμένο με την πρίζα.- Ο χρονοδιακόπτης έχει ρυθμιστεί στη θέση «0».- Η πόρτα (9) δεν έχει κλείσει καλά.	<ul style="list-style-type: none">- Ελέγξτε την πρίζα για να βεβαιωθείτε ότι είναι συνδεδεμένη σωστά.- Περιστρέψτε τον χρονοδιακόπτη στον επιθυμητό χρόνο μαγειρέματος.- Βεβαιωθείτε ότι η πόρτα (9) έχει κλείσει και ασφαλίσει σωστά.
Ο γυάλινος δίσκος (5) κάνει θόρυβο κατά τη λειτουργία της συσκευής.	<ul style="list-style-type: none">- Ο γυάλινος δίσκος (5) δεν έχει τοποθετηθεί σωστά.- Το κάτω μέρος της κοιλότητας δεν είναι επίπεδο, λόγω υπολειμμάτων τροφίμων.	<ul style="list-style-type: none">- Βεβαιωθείτε ότι ο γυάλινος δίσκος (5) έχει τοποθετηθεί σωστά.- Καθαρίστε το κάτω μέρος της κοιλότητας για να είναι επίπεδο.

Τεχνικές προδιαγραφές

Αρ. είδους.: 281710

Τάση και συχνότητα λειτουργίας: 230V~ 50V

Συχνότητα φούρνου μικροκυμάτων: 2450MHz

Ονομαστική ισχύς εισόδου (Φούρνος μικροκυμάτων): 1050W

Ονομαστική ισχύς εξόδου (Φούρνος μικροκυμάτων): 700W

Ονομαστική ισχύς εισόδου (Γκριλ): 1000W

Χωρητικότητα φούρνου : 20 λίτρα

Ρύθμιση χρονοδιακόπτη : 0 λεπτά ~ 35 λεπτά

Κατηγορία προστασίας: Κατηγορία I

Διαστάσεις: 440 x 330 x (H) 259 mm

Σχόλιο: Οι τεχνικές προδιαγραφές μπορούν να τροποποιηθούν χωρίς προηγούμενη ειδοποίηση.

GR

Εγγύηση

Οποιοδήποτε ελάττωμα επηρεάζει τη λειτουργικότητα της συσκευής που γίνεται προφανές δύο χρόνια μετά την αγορά της, θα διορθώνεται με δωρεάν επισκευή ή αντικατάσταση, αρκεί η συσκευή να έχει χρησιμοποιηθεί και συντηρηθεί σύμφωνα με τις οδηγίες και να μην έχει γίνει κατάχρηση ή λανθασμένη χρήση της με οποιονδήποτε τρόπο. Δε θίγονται τα νόμιμα δικαιώματά σας. Εάν η συσκευή

υποστηρίζεται από εγγύηση, δηλώστε πού και πότε έχει αγοραστεί και συμπεριλάβετε την απόδειξη αγοράς (π.χ. απόδειξη λιανικής πώλησης).

Σύμφωνα με την πολιτική μας για τη συνεχή εξέλιξη των προϊόντων μας, διατηρούμε το δικαίωμα να αλλάξουμε το προϊόν, τη συσκευασία και τις προδιαγραφές τεκμηρίωσής του χωρίς προειδοποίηση.

Απόρριψη & Περιβάλλον

Η συσκευή, μετά το πέρας της διάρκειας ζωής της, δεν πρέπει να απορρίπτεται ως οικιακό απόρριμμα. Πρέπει να απορρίπτεται, με δική σας ευθύνη, σε καθορισμένο σημείο συλλογής. Η μη τήρηση αυτού ενδέχεται να τιμωρείται σύμφωνα με τους ισχύοντες κανονισμούς για τη διάθεση των απορριμμάτων. Η χωριστή συλλογή και ανακύκλωση αυτής της συσκευής κατά τη στιγμή της απόρριψης βοηθά στη διατήρηση των φυσικών πόρων και εξασφαλίζει την ανακύκλωσή της

με τρόπο που προστατεύει την ανθρώπινη υγεία και το περιβάλλον. Για περισσότερες πληροφορίες σχετικά με το πού μπορείτε να απορρίψετε τη συσκευή για ανακύκλωση, επικοινωνήστε με την τοπική εταιρεία συλλογής απορριμμάτων. Οι κατασκευαστές και οι εισαγωγείς δεν αναλαμβάνουν την ευθύνη ανακύκλωσης, επεξεργασίας και οικολογικής διάθεσης, είτε άμεσα είτε μέσω δημοσίου συστήματος.

ΣΕΡΒΙΣ ΕΛΛΑΔΟΣ:

Τηλ.: 213 0 998989 (10 γραμμές)

info@pks-hendi.com





HENDI

Tools for Chefs

Hendi B.V.

Steenoven 21

3911 TX Rhenen, The Netherlands

Tel: +31 (0)317 681 040

Email: info@hendi.eu

PKS Hendi South East Europe SA

5 Metsovou Str.

18346 Moschato, Athens, Greece

Tel: +30 210 4839700

Email: office.greece@hendi.eu

Hendi Polska Sp. z o.o.

ul. Magazynowa 5

62-023 Gądkki, Poland

Tel: +48 61 6587000

Email: info@hendi.pl

Hendi HK Ltd.

1208, 12/F Exchange Tower

33 Wang Chiu Road, Kowloon Bay, Hong Kong

Tel: +852 2154 2618

Email: info-hk@hendi.eu

Hendi Food Service Equipment GmbH

Gewerbegebiet Ehring 15

5112 Lamprechtshausen, Austria

Tel: +43 (0) 6274 200 10 0

Email: office.austria@hendi.eu

Find Hendi on internet:

www.hendi.eu

www.facebook.com/HendiFoodServiceEquipment

www.linkedin.com/company/hendi-food-service-equipment-b.v.

www.youtube.com/HendiEquipment

Hendi Food Service Equipment Romania Srl

Str. 13 decembrie 94A, Hala 14

Braşov, 500164, Romania

Tel: +40 268 320330

Email: office@hendi.ro

- Changes, printing and typesetting errors reserved.

- Änderungen und Druckfehler vorbehalten.

- Wijzigingen en drukfouten voorbehouden.

- Producent zastrzega sobie prawo do zmian oraz bledów drukarskich w instrukcji.

- Variations et fautes d'impression réservés.

- Errori di cambiamenti, di stampa e di impaginazione riservati.

- Drepturi rezervate cu privire la modificări și greșeli de imprimare.

- Изменения, печати и верстки ошибки защищены.

- Με επιφύλαξη αλλαγών, λαθών εκτύπωσης και στοιχειοθεσίας.