

PIZZA OVEN

ELEKTRYCZNY PIEC DO PIZZY



Item: 226865
226872
226667
226674
220726
220733
226889
226896
226773
226780
226902
226919
226926
226933
226940
226957
226964
226971
226988
226995
227046
227053
226766
226759
226735
226742

You should read this user manual carefully before using the appliance

Przed uruchomieniem urządzenia należy koniecznie dokładnie przeczytać niniejszą instrukcję obsługi



Keep this manual with the appliance.
Zachowaj instrukcję urządzenia.



For indoor use only.
Do użytku wewnątrz pomieszczeń.



WARNING!
BEFORE SWITCHING ON THE OVEN:
REMOVE THE POLYSTYRENE.

CONTENTS

1. SAFETY REGULATIONS	3
2. "CE" MARKING	5
3. TECHNICAL DESCRIPTIONS	5
4. INSTALLATION	7
5. USE AND FUNCTIONING	10
6. MAINTENANCE.....	13
7. WARRANTY.....	14
8. DISCARDING & ENVIRONMENT	14
9. SPARE PARTS.....	14
10. ELECTRICAL DRAWINGS.....	15

Dear Customer,

Thank you for purchasing this HENDI appliance. Please read this manual carefully before connecting the appliance in order to prevent damage due to incorrect use. Read the safety regulations in particular very carefully.

1. SAFETY REGULATIONS

- This appliance is intended for commercial use only and must not be used for household use.
- The appliance must only be used for the purpose for which it was intended and designed. The manufacturer is not liable for any damage caused by incorrect operation and improper use.
- Keep the appliance and electrical plug away from water and any other liquids. In the event that the appliance should fall into water, immediately remove plug from the socket and do not use until the appliance has been checked by a certified technician. Failure to follow these instructions could cause a risk to lives.
- Never attempt to open the casing of the appliance yourself.
- Do not insert any objects in the casing of the appliance.
- Do not touch the plug with wet or damp hands.
- **Danger of electric shock!** Do not attempt to repair the appliance yourself. In case of malfunctions, repairs are to be conducted by qualified personnel only.
- **Never use a damaged appliance!** Disconnect the appliance from the electrical outlet and contact the retailer if it is damaged.
- **Warning!** Do not immerse the electrical parts of the appliance in water or other liquids. Never hold the appliance under running water.
- Regularly check the power plug and cord for any damage. If the power plug or power cord is damaged, it must be replaced by a service agent or similarly qualified persons in order to avoid danger or injury.
- Make sure the cord does not come in contact with sharp or hot objects and keep it away from open fire. To pull the plug out of the socket, always pull on the plug and not on the cord.
- Ensure that the cord (or extension cord) is positioned so that it will not cause a trip hazard.
- Always keep an eye on the appliance when in use.
- **Warning!** As long as the plug is in the socket the appliance is connected to the power source.
- Turn off the appliance before pulling the plug out of the socket.

EN



- Never carry the appliance by the cord.
- Do not use any extra devices that are not supplied along with the appliance.
- Only connect the appliance to an electrical outlet with the voltage and frequency mentioned on the appliance label.
- Connect the power plug to an easily accessible electrical outlet so that in case of emergency the appliance can be unplugged immediately. To completely switch off the appliance pull the power plug out of the electrical outlet.
- Always turn the appliance off before disconnecting the plug.
- Never use accessories other than those recommended by the manufacturer. Failure to do so could pose a safety risk to the user and could damage the appliance. Only use original parts and accessories.
- This appliance is not intended for use by persons (including children) with reduced physical, sensory or mental capabilities, or lack of experience and knowledge.
- This appliance must not be used by children under any circumstances.
- Keep the appliance and its cord out of reach of children.
- Always disconnect the appliance from the mains if it is left unattended or is not in use, and before assembly, disassembly or cleaning.
- Never leave the appliance unattended during use.
- Before carrying out any kind of maintenance and/or adjustment intervention, it is compulsory to disconnect the power supply by disconnecting the power supply plug from the main socket verifying that the oven is effectively turned off and cooled.

EN



2. "CE" MARKING

The "CE" marking consists of a gray label applied on the back of the oven. The rating plate bears in a readable and indelible way the following data:

 HENDI FOOD SERVICE EQUIPMENT		  	
ul. Magazynowa 5, 62-023 Gądk, Poland tel. +48 61 658 70 00, www.hendi.pl			
Pizza oven Basic 1/40 Piec do pizzy Basic 1/40			
Item Kod	226865	Weight Waga	18kg
Power Moc	1600W	Voltage Napięcie	230V, 1N, 50Hz
Date Data	2015	S/N Nr serijny	

3. TECHNICAL DESCRIPTIONS

The manufacturer and dealer is not liable for any inaccuracies due to printing errors or transcription, in this manual. In line with our policy of continuous improvement products, we reserve the

right to make modification of the product, packaging and specifications contained in the Documentation without prior notice.

EN

3.1 TECHNICAL DATA OVENS BASIC

Code	Working temperature [°C]	Power supply [V]	Chamber	Power [kW]	Power of top heating element [kW]	Power of bottom heating element [kW]	External dimensions without handles [mm]	Internal dimensions [mm]
226865	50 320	230	1	1,6	800x1	800x1	567x427,5x(H)281	410x360x(H)90
226872	50 320	230	2	2,4	800x2	800x1	567x427,5x(H)428	410x360x(H)90
226667	50 320	230	1	1600	800x1	800x1	567x427,5x(H)281	410x360x(H)90
226674	50 320	230	2	2400	800x2	800x1	567x427,5x(H)428	2x 410x360x(H)90
220726	50 455	400	1	5000	2500x1	2500x1	915x621x(H)357	620x500x(H)120
220733	50 455	400	2	7500	2500x2	2500x1	915x621x(H)527	2x 620x500x(H)120
226889	50 455	230 400	1	5	2500x1	2500x1	915x621x(H)357	620x500x(H)120
226896	50 455	230 400	2	7,5	2500x2	2500x1	915x621x(H)527	620x500x(H)120
226773	50 455	230 400	1	4,7	2350x1	2350x1	975x924x(H)413	660x660x(H)140
226780	50 455	230 400	2	9,4	2350x2	2350x2	975x924x(H)745	660x660x(H)140
226902	50 455	230 400	1	7,2	1200x3	1200x3	975x1104x(H)413	660x990x(H)140
226919	50 455	230 400	2	14,4	1200x6	1200x6	975x1104x(H)745	660x990x(H)140



3.2 TECHNICAL DATA OVENS BASIC XL

Code	Working temperature [°C]	Power supply [V]	Chamber	Power [kW]	Power of top heating element [kW]	Power of bottom heating element [kW]	External dimensions without handles [mm]	Internal dimensions [mm]
226926	50 455	230 400	1	6,0	3000x1	3000x1	1305x489x(H)413	1080x435x(H)140
226933	50 455	230 400	2	12	3000x2	3000x2	1305x489x(H)745	1080x435x(H)140
226940	50 455	230 400	1	6	3000x1	3000x1	1000x844x(H)413	720x720x(H)140
226957	50 455	230 400	2	12	3000x2	3000x2	1000x844x(H)745	720x720x(H)140
226964	50 455	230 400	1	9	1500x3	1500x3	1000x1204x(H)413	720x1080x(H)140
226971	50 455	230 400	2	18	1500x6	1500x6	1000x1204x(H)745	720x1080x(H)140
226988	50 455	230 400	1	9	1500x3	1500x3	1360x844x(H)413	1080x720x(H)140
226995	50 455	230 400	2	18	1500x6	1500x6	1360x844x(H)745	1080x720x(H)140
227046	50 455	230 400	1	13,2	2200x3	2200x3	1360x1204x(H)413	1080x1080x(H)140
227053	50 455	230 400	2	26,4	2200x6	2200x6	1360x1204x(H)745	1080x1080x(H)140
226766	50 455	400	1	6000	1000x3	1000x3	1000x844x(H)413	720x720x(H)140
226759	50 455	400	2	12000	1000x6	1000x6	1000x844x(H)745	2x 720x720x(H)140
226735	50 455	400	1	9000	1500x3	500x3	1000x1204x(H)413	720x1080x(H)140
226742	50 455	400	2	18000	1500x6	1500x6	1000x1204x(H)745	2x 720x1080x(H)140

EN

3.3 DESTINATION OF USE

The oven has been designed and produced only for the following use:

- PIZZA BAKING, GRATINATING OF GASTRONOMY PRODUCTS AND HEATING OF
- FOODSTUFF IN BAKING PANS.
- THE OVEN CAN BE USED EXCLUSIVELY BY AUTHORIZED OPERATORS (USER).
- THIS APPLIANCE IS NOT INTENDED FOR USE BY PEOPLE (INCLUDING CHILDREN) WITH REDUCED PHYSICAL, SENSORY OR MENTAL CAPABILITIES, OR LACK OF EXPERIENCE AND KNOWLEDGE, UNLESS THEY HAVE BEEN GIVEN SUPERVISION OR INSTRUCTION CONCERNING USE OF THE APPLIANCE BY A PERSON RESPONSIBLE FOR THEIR SAFETY.
- CHILDREN SHOULD BE SUPERVISED TO ENSURE THAT THEY DO NOT PLAY WITH THE APPLIANCE



3.4 LIMITS OF USE

This oven has been designed and manufactured exclusively for the destination of use described in **Par. 3.3**, therefore, any other use is strictly forbidden in order to assure, at any time, the safety of the authorized operators, as well as the efficiency of the oven itself.

4. INSTALLATION

4.1 INSTRUCTIONS FOR THE USER

The place where the oven is installed must have the following environmental features:

- To be dry;
- Water sources at safe distance;
- Adequate ventilation and lighting corresponding to hygiene and security rules following the existing laws.

THE OVEN MUST NOT BE INSTALLED IN PROXIMITY OF THE FLAMMABLE MATERIALS (WOODS, PLASTIC, COMBUSTIBLE, GAS, ETC.). AVOID THE CONTACT OF FLAMMABLE OBJECTS WITH THE HOT SURFACES OF THE OVEN. ALWAYS ASSURE THE SAFETY FIREPROOF CONDITIONS. MAINTAIN A FREE SPACE AROUND THE OVEN OF AT LEAST 30 CM.

Check that the electrical data of the user's electric system corresponds to the equipment requirements stated on the rating plate and on the above technical characteristics Par. 3.1, 3.2, The characteristics of the electric socket must be compatible with the plug installed on the cable.

EN

4.2 ELECTRIC CONNECTION

THE CONNECTION TO THE POWER SUPPLY MUST BE EXCLUSIVELY CARRIED OUT BY AN AUTHORIZED TECHNICIAN (ELECTRICIAN) SATISFYING THE TECHNICAL AND PROFESSIONAL REQUIREMENTS STATED BY THE REGULATIONS IN FORCE IN THE COUNTRY OF USE , THIS TECHNICIAN MUST ISSUE A DECLARATION OF CONFORMITY FOR THE INTERVENTION PERFORMED.

THE MAIN LINE SHOULD BE EQUIPPED WITH SAFETY DEVICES BY A DIFFERENTIAL SWITCH / CIRCUIT BREAKER, CO-ORDINATED WITH THE GENERAL EARTH INSTALLATION, IN CONFORMITY WITH THE LOCAL AND NATIONAL LAWS.



To connect the machine to the electric network it is necessary to proceed as follows:

- connect to the wires to the terminals L1—L2—L3—N — \perp of power cord type H07RNF 3G X "x" mm² unsheathed with ferule;
- put together the other end of the cable and a plug,

which is normalised and polarised (the distinction between phase and neutral must be unequivocal.

- to connect the oven to 230 V single phase is sufficient to make a bridge between L1-L2-L3 with the special plates present in the terminal box

L1	Clamp N.1
L2	Clamp N.2
L3	Clamp N.3
N	Clamp N. 4 o N. 5
\perp	Clamp N. 6

ONCE THE ELECTRIC CONNECTION HAS BEEN COMPLETED, THE AUTHORIZED TECHNICIAN (ELECTRICIAN) MUST ISSUE A DECLARATION CERTIFYING THE MEASUREMENT OF THE CONTINUITY OF THE EQUIPOTENTIAL PROTECTION CIRCUIT.

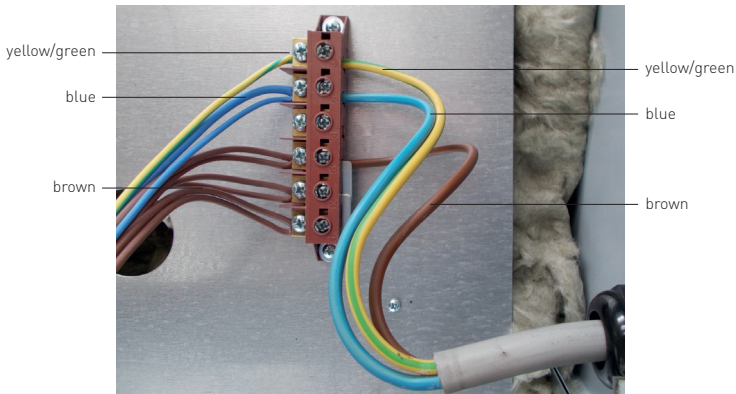
EN

THE APPLIANCE IS TO BE SUPPLIED THROUGH A RESIDUAL CURRENT DEVICE (RCD) HAVING A RATED RESIDUAL OPERATING CURRENT NOT EXCEEDING 30 MA

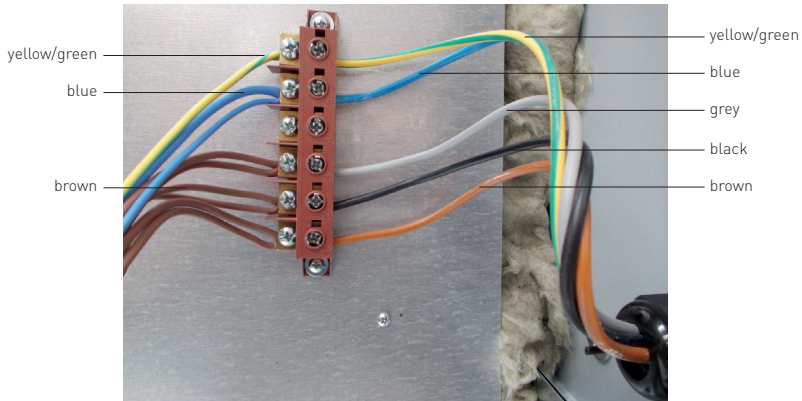
4.3 TERMINAL

The terminal box is placed externally on the back of the oven.

Single phase

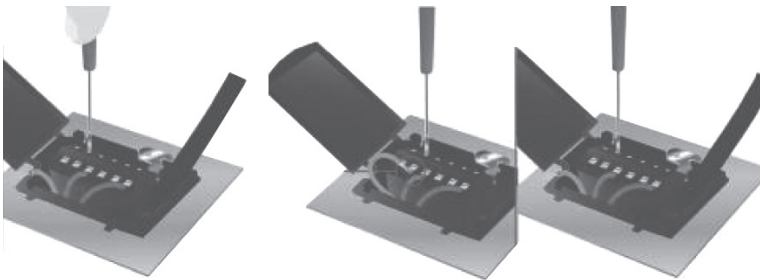


Three phase



Oven type	N. of cables	Section (mm ²)
Single phase, one chamber	3	4
Single phase, two chambers and versions 9 single phase	3	6
Three phase one chamber and two chambers	5	4
Three phase from versions 9 and up	5	6

EN



Model	N. of cables	Section (mm ²)
BASIC 1/40; BASIC 2/40	3	2,5
BASIC 1/50; BASIC 2/50	5	4
BASIC 4-44; BASIC 6-66	5	4
BASIC XL 4-44; BASIC XL 6-66; BASIC XL 6L-66L; BASIC XL 9-99	5	5

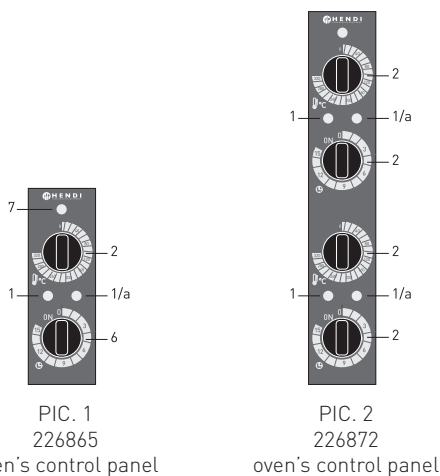
4.5 EQUIPOTENTIAL

The equipment must be connected with an equi-potential device the connection terminal is located near the terminal box. The bonding wire must have a minimal section of 10 mm².

5. USE AND FUNCTIONING

5.1 CONTROL PANEL

The control panel is installed on the front of the oven as shown in FIG. 1,2,3.

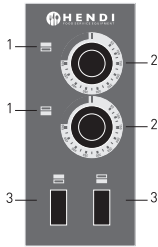


EN

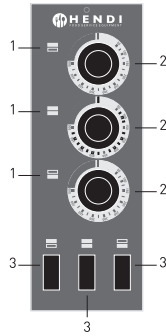
LEGEND PIC.1 - PIC.2

REF.	DENOMINATION	FUNCTION
1	Warning light	If lighted, the heating elements are working
1/a	Warning light	If lighted, timer is on
2	Thermostat	<ul style="list-style-type: none"> • Pos. 0: the heating elements are off • Pos. 50-320°C: temperature regulation
6	Timer	It adjusts the cooking time
7	General switch	Turns all the devices off

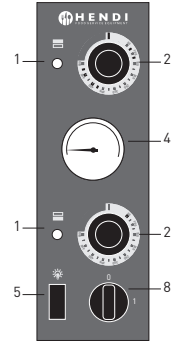




PIC. 3
226889
oven's control panel



PIC. 4
226889
oven's control panel



PIC. 5
other
oven's control panel

LEGEND PIC.3 - PIC.4 - PIC.5

REF.	DENOMINATION	FUNCTION
1	Warning light	If lighted, the heating elements are working.
2	Thermostat	<ul style="list-style-type: none"> • Pos. 0: heating elements off; • Pos. 50-455°C: temperature regulation.
3	Switch heating	<ul style="list-style-type: none"> • Pos. I: heating elements on; • Pos. 0: heating elements off.
4	Thermometer	Indicates the temperature in the baking chamber.
5	Chamber lamp switch (I-0)	<ul style="list-style-type: none"> • Pos. I: chamber light on; • Pos. 0: chamber light off.
8	General switch	<ul style="list-style-type: none"> • Pos. I: Power supply turned on; • Pos. 0: Power supply turned off.

EN

5.2 FIRST COMMISSIONING

Before the switching the oven on for the first time, remove the protective film without using tools that can damage the surfaces.

DESPITE THE THERMAL POTENTIALITIES OF THE OVEN ITSELF, FOR SAFETY REASONS THE MAXIMUM ALLOWED TEMPERATURE IS 455°C. IT CAN BE SELECTED BY MEANS OF THE TIMER.

THE COMMISSIONING OF THE OVEN CAN BE CARRIED OUT ONLY WHEN THE INSTALLATION HAS BEEN COMPLETED AND THE AUTHORIZED TECHNICIANS HAVE ISSUED THE DECLARATION OF CONFORMITY FOR THE ELECTRIC CONNECTION.

The first commissioning must be carried out proceeding as follows:

- clean the front part of the oven with a clean and soft cloth in order to remove any eventual residues;
 - connect the plug to the socket;
 - put the switch of heating elements (pic.3; 4 – ref.3) in pos. "i"; for the ovens 1/40 and 2/40: press the general switch (pic.1;2 - ref.7; pic.5 - ref.8);
 - Start the heating elements setting the thermostat (pic.1;2;3;4;5 - ref.2) on the temperature of 150°C. The red warning lights signaling the operation of the heating elements is on;
 - let the oven heating up for about 1 h;
 - switch the heating elements off by putting the switch in (pic.1;2;3;4;5 - ref.2) in position "0" the warning light turns off; for the oven 1/40 and 2/40: press the general switch and turn off the heating elements;
 - open the door and keep it opened for about 15 min
- in order to let steam and smell to go out;
- close the door and repeat the process described in section 4) bringing the thermostat (pic. 1;2;3;4;5 - rif.2) at the temperature of 400°C for the oven 1/40 and 2/40: bring thermostats (pic.1;2 - ref.2) at a temperature of 350°C.
 - let the oven heating up for about 1 h;
 - switch the heating elements off by putting the switch in (pic.1;2;3;4;5 - ref.2) in position "0" the warning light turns off; for the oven 1/40 and 2/40: press the general switch and turn off the heating elements;
 - turn off the oven as described in par. 5.4
 - with the oven 1/40 and 2/40 you can adjust the cooking time by setting the minutes with the timer (pic.1;2 - ref.6). at the end of the time set the heating elements will turn off. To choose the mode of cooking continued, bring the timer knob (pic.1;2 - ref.6) to "on" by turning to the left

5.3 TURNING ON OVEN

EN

1. Connect the plug of the power supply cable to the power supply outlet;
2. Put the switch of heating elements (pic.3;4;5-ref. 3) in pos. "i"; for the ovens 1/40 and 2/40: press the general switch (pic.1;2-ref.7), models with the panel pic.5 - put the switch 8 in pos. "I";
3. Start the heating elements setting the thermostat (Pic.1;2;3;4;5-Ref.2) to the desired temperature indicated on the handle. The related warning lights signaling the heating elements in use are switched on;
4. Once the oven has reached the desired temperature (see point 9 of this paragraph), visible on the thermometer (Pic.5-Ref.4), it is possible to insert the pizza;
5. Open the oven door manually using the handles;
6. To illuminate the inside of the chamber, press the oven lamp switch (Pic.5-Ref.5);
7. Insert the pizza/pizzas using suitable devices. It is important to avoid leaving the door open for too long, since the outgoing heat lowers the temperature of the oven.
8. Close the door again and check the backing through the inspection glass ;
9. The baking temperature of the pizza varies if it is positioned directly on the refractory stone or on a baking tray. In the first case, it is suggested to set the backing temperature at 280°C on the bottom and 320°C for the ceiling; in the second case, set 320°C for the bottom and 280°C for the ceiling;
10. When the baking process ends, open the door and extract the pizza/pizzas and colse the door again.



5.4 TURNING OFF THE OVEN

Once the cooking/backing process is over, please proceed as follows:

Turn the oven off by putting the switches of heating elements in pos. "0" (Pic.3;4;5-Ref.3) and the knobs that regulate the thermostats (Pic.1;2;3;4;5-Ref.2);

For the ovens 1/40 and 2/40: press the general switch and turn off the heating elements;

For the ovens with the panel pic.5 - put the switch 8 in pos. "0";

For all ovens - disconnect the power supply using main external wall switch;

Do not leave the oven unattended under voltage.

6. MAINTENANCE

BEFORE CARRING OUT ANY TYPE OF MAINTENANCE INTERVENTION, IT IS COMPULSORY TO DISCONNECT THE PLUG FROM THE MAIN POWER SUPPLY.

6.1 CLEANING

The clearing must be carried out after every use following the instructions.

Cleaning of the refractory surface: this operation has to be done with hot oven.

Once the **temperature is about 350°C**, turn the oven off, open the door and clean the surface using

a brush in vegetable fiber equipped with a long handle in order to avoid the contact with the oven hot parts.

External clearing: (surfaces in stainless steel, inspection glass and control panel): this operation has to be done with cold oven.

EN

IT IS RECOMMENDED TO USE PROPER GLOVES AND SUITABLE CLOTHING TO AVOID BURNINGS.

IT IS FORBIDDEN TO USE THROWS OR DRIPS OF WATER, ABRASIVE OR CORROSIVE SUBSTANCES, AND ANYTHING ELSE THAT CAN DAMAGE THE COMPONENTS, COMPROMISE THE SAFETY, AND BE DANGEROUS FROM AN HYGIENIC POINT OF VIEW.

For any emergency maintenance, repairing and/or replacement refer exclusively to the authorized dealer where the oven has been bought and/or to

an authorized technician satisfying the technical and professional requirements stated by the regulations in force.



7. WARRANTY

Any defect affecting the functionality of the appliance which becomes apparent within one year after purchase will be repaired by free repair or replacement provided the appliance has been used and maintained in accordance with the instructions and has not been abused or misused in any way. Your statutory rights are not affected. If the appliance is claimed under warranty, state where and

when it was purchased and include proof of purchase (e.g. receipt).

In line with our policy of continuous product development we reserve the right to change the product, packaging and documentation specifications without notice.

8. DISCARDING & ENVIRONMENT

At the end of the life of the appliance, please dispose of the appliance according to the regulations and guidelines applicable at the time.

Throw packing materials like plastic and boxes in the appropriate containers.

9. SPARE PARTS

SPARE PARTS BASIC OVENS

EN

MARK	DESCRIPTION
T	Single (1) pole thermostat
TT	Three (3) poles thermostat
QS0	Heating elements on/off switch
HL	Heating elements spy light
QF0/1	Chamber light on/off switch
K	Contacteur
TI	Timer

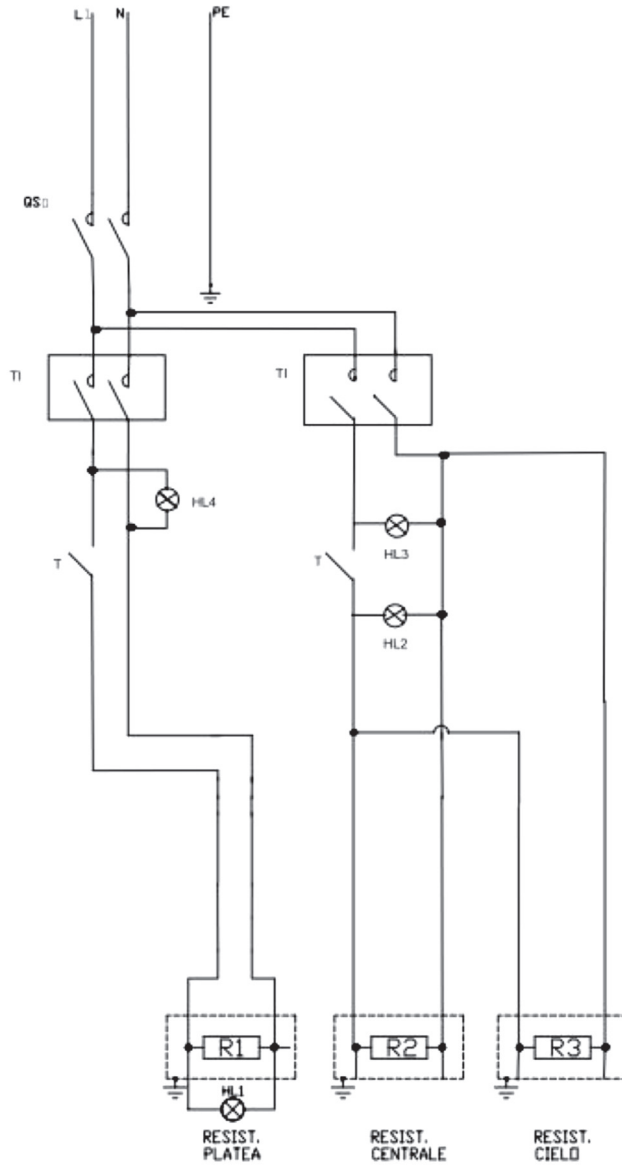


10. ELECTRICAL DRAWINGS

ELECTRICAL DRAWINGS

MOD.: 226872

230 V, 1N, 50 Hz



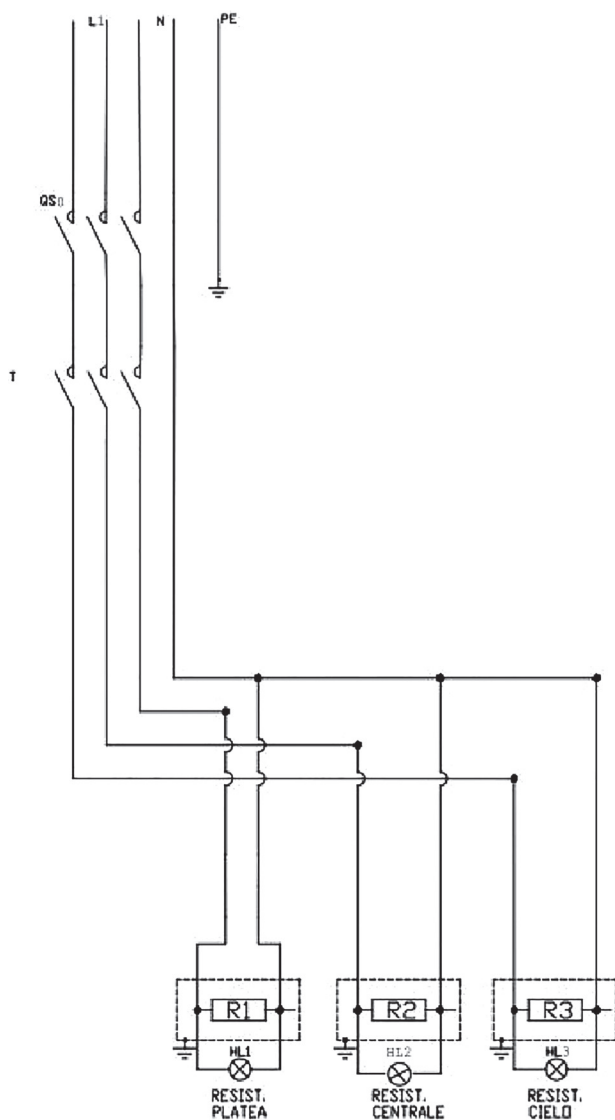
EN



ELECTRICAL DRAWINGS

MOD.: 226896

400 V, 3N, 50 Hz



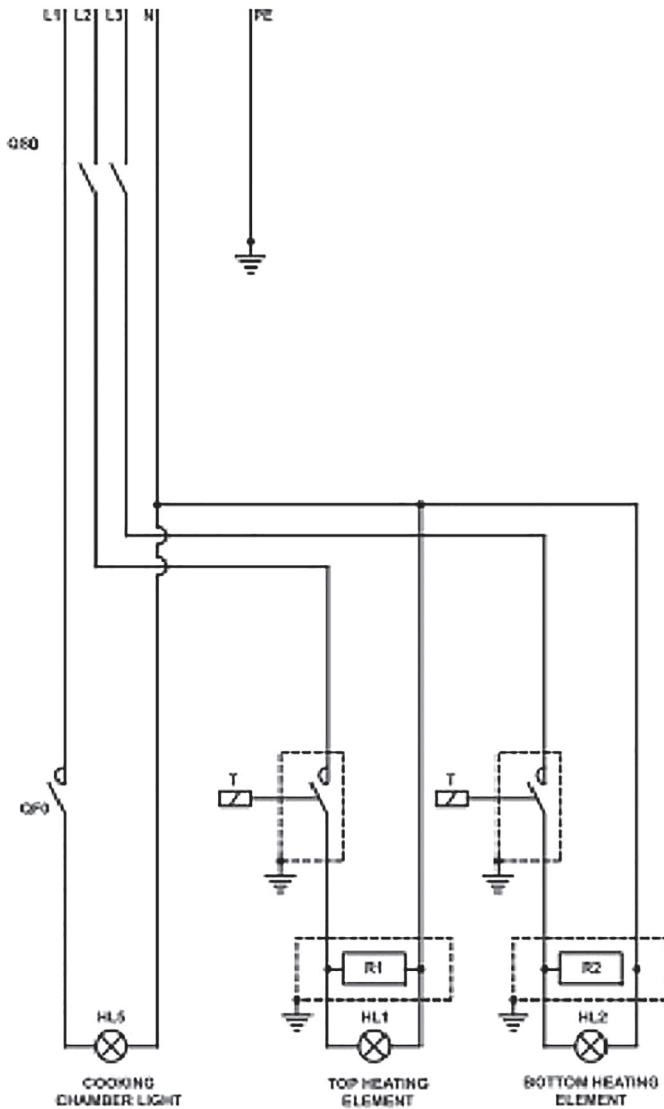
EN



ELECTRICAL DRAWINGS

MOD.: 226773, 226780, 226940, 226957

400 V, 3N, 50 Hz (per chamber)



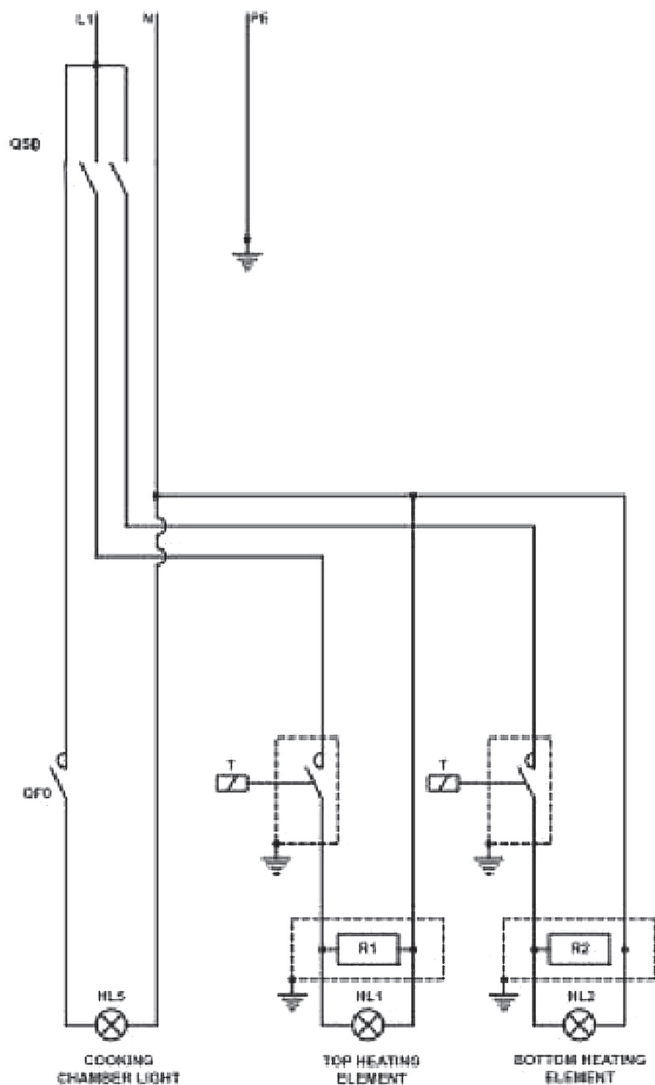
EN



ELECTRICAL DRAWINGS

MOD.: 226902, 226919, 226964, 226971, 226988, 226995, 227046, 227053

230, 1N, 50 Hz

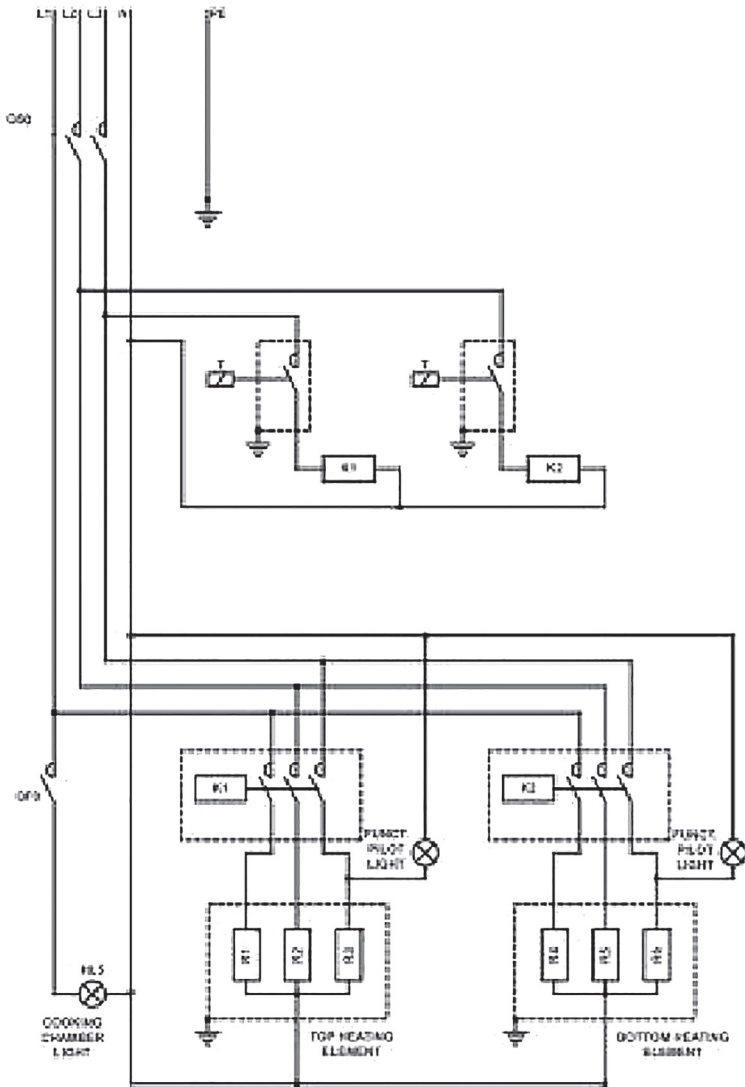


EN



ELECTRICAL DRAWINGS

MOD.: 226902, 226919, 226964, 226971, 226988, 226995, 227046, 227053
400 V, 3N,

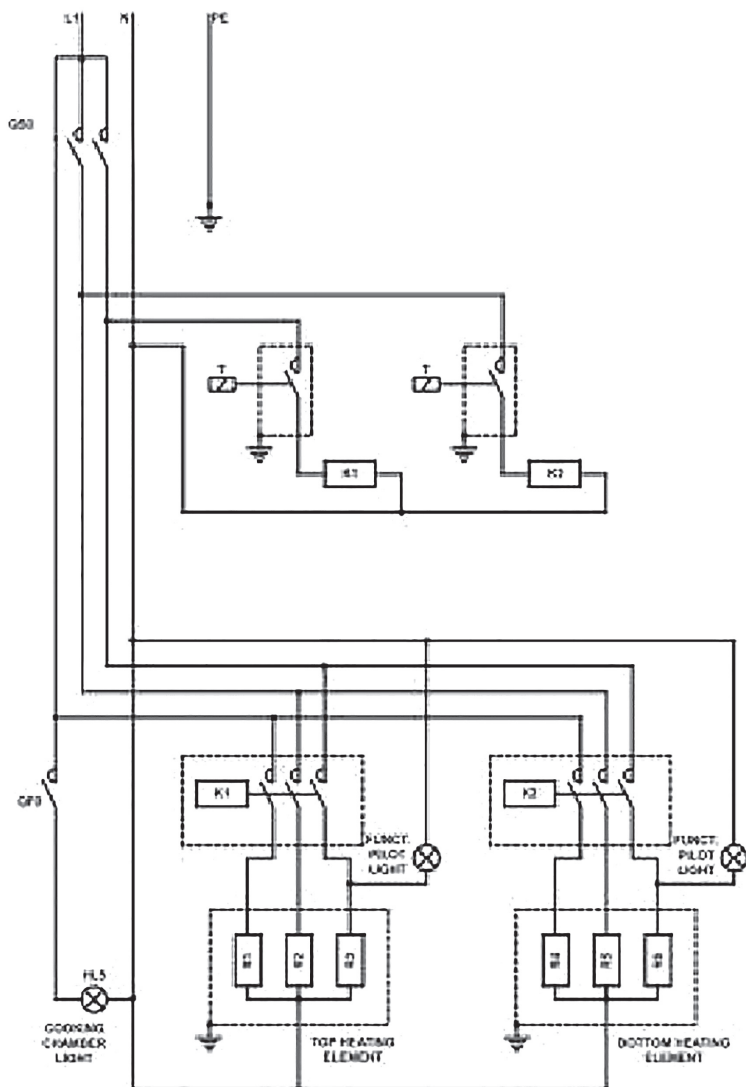


EN

ELECTRICAL DRAWINGS

MOD.: 226902, 226919, 226964, 226971, 226988, 226995, 227046, 227053

230 V, 1N, 50 Hz (per chamber)



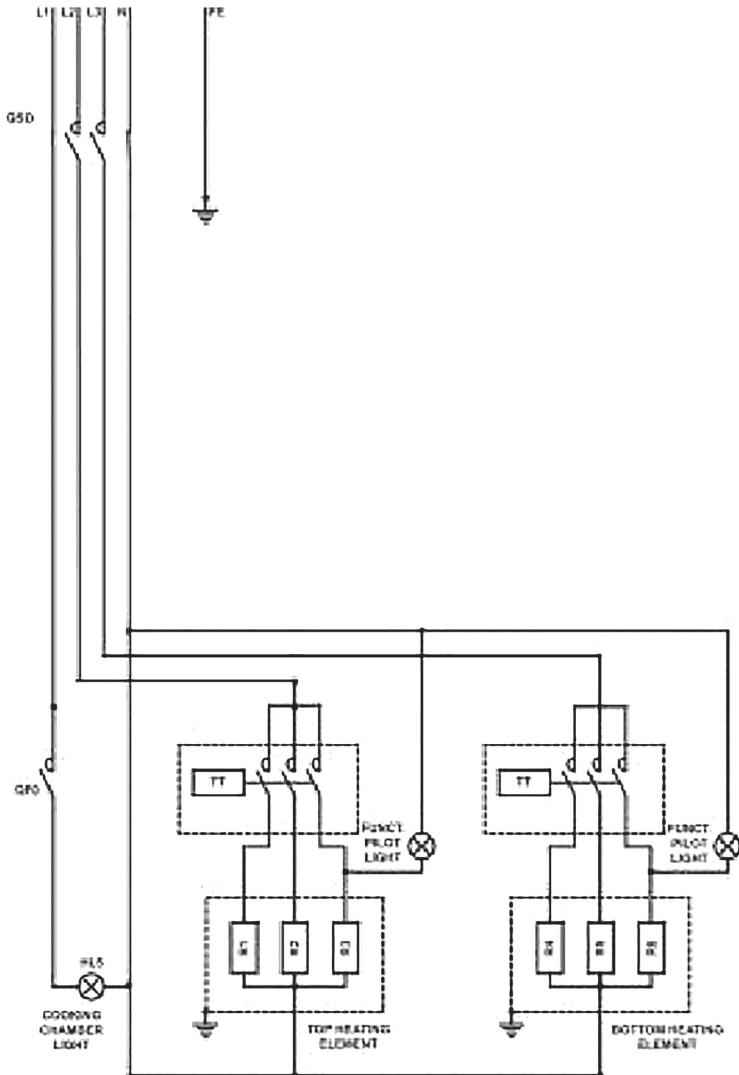
EN



ELECTRICAL DRAWINGS

MOD.: 226902, 226919, 226964, 226971, 226988, 226995, 227046, 227053

400 V, 3 N, 50 Hz [per chamber] 3-phase thermostat



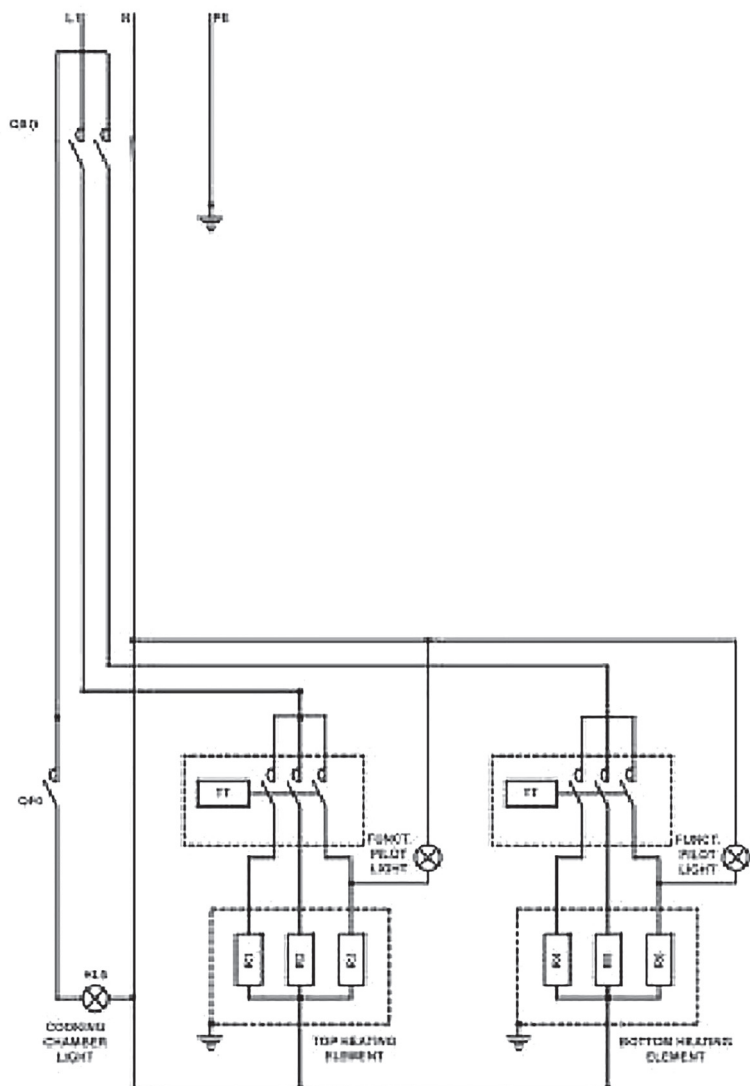
EN



ELECTRICAL DRAWINGS

MOD.: 226902, 226919, 226964, 226971, 226988, 226995, 227046, 227053

230 V, 1 N, 50 Hz (per chamber) 3-phase thermostat



EN







OSTRZEŻENIE!
PRZED WŁĄCZENIEM PIECA: USUNĄĆ STYROPIAN

UWAGA!
PRZED URUCHOMIENIEM PIECA NALEŻY W PIERWSZEJ KOLEJNOŚCI WYJAĆ Z PIECA PŁYTY SZAMOTOWE, USUNĄĆ ZABEZPIECZENIE STYROPIANOWE, A NASTĘPNIE PONOWNIE UMIEŚCIĆ PŁYTY SZAMOTOWE W PIECU

WSZELKIE AWARIE ORAZ ZABRUDZENIA SPOWODOWANE ROZTOPIENIEM SIĘ STYROPIANU NIEWYJĘTEGO Z PIECA NIE BĘDĄ PODLEGAĆ NAPRAWOM GWARANCYJNYM.

PL

SPIS TREŚCI

1. ZASADY BEZPIECZEŃSTWA	25
2. OZNACZENIE „CE”	27
3. OPISY TECHNICZNE	27
4. INSTALACJA	29
5. EKSPLOATACJA I OBSŁUGA	32
6. KONSERWACJA	35
7. GWARANCJA	36
8. WYCOFANIE Z UŻYTKOWANIA I OCHRONA ŚRODOWISKA	36
9. ELEMENTY ELEKTRYCZNE	36
10. SCHEMATY ELEKTRYCZNE	37



Szanowny Kliencie,

Dziękujemy za zakup urządzenia firmy HENDI. Prosimy o uważne zapoznanie się z niniejszą instrukcją przed podłączeniem urządzenia, aby uniknąć uszkodzeń spowodowanych niewłaściwą obsługą. Należy zwrócić szczególną uwagę na zasady bezpieczeństwa.

1. ZASADY BEZPIECZEŃSTWA

- Nieprawidłowa obsługa i niewłaściwe użytkowanie mogą spowodować poważne uszkodzenie urządzenia lub zranienie osób.
- Niniejsze urządzenie przeznaczone jest wyłącznie do użytku komercyjnego i nie może być stosowane do użytku domowego.
- Urządzenie należy stosować wyłącznie zgodnie z przeznaczeniem. Producent nie ponosi żadnej odpowiedzialności za szkody spowodowane nieprawidłową obsługą i niewłaściwym użytkowaniem urządzenia.
- W czasie użytkowania zabezpiecz urządzenie i wtyczkę kabla zasilającego przed kontaktem z wodą lub innymi płynami. W mało prawdopodobnym przypadku zanurzenia urządzenia w wodzie, należy natychmiast wyciągnąć wtyczkę z kontaktu, a następnie zlecić kontrolę urządzenia specjalistom. Nieprzestrzeganie tej instrukcji może spowodować zagrożenie życia.
- Nigdy nie otwieraj samodzielnie obudowy urządzenia.
- Nie wtykaj żadnych przedmiotów w obudowę urządzenia.
- Nie dotykaj wtyczki kabla zasilającego wilgotnymi rękami.
- **Niebezpieczeństwo porażenia prądem!** Nie należy samodzielnie naprawiać urządzenia. Wszelkie usterki i niesprawności winny być usuwane wyłącznie przez wykwalifikowany personel.
- **Nigdy nie używać uszkodzonego urządzenia!** Uszkodzone urządzenie należy odłączyć od sieci i skontaktować się ze sprzedawcą.
- **Ostrzeżenie!** Nie zanurzać części elektrycznych urządzenia w wodzie ani w innych płynach. Nie wkładać urządzenia pod bieżącą wodę.
- Regularnie sprawdzać wtyczkę i kabel zasilający pod kątem uszkodzeń. Uszkodzoną wtyczkę lub kabel przekazać w celu naprawy do punktu serwisowego lub innej wykwalifikowanej osoby, aby zapobiec ewentualnym zagrożeniom i obrażeniom ciała.
- Upewnić się, czy przewód zasilający nie styka się z ostrymi ani gorącymi przedmiotami; trzymać kabel z dala od otwartego płomienia. Aby wyjąć wtyczkę z gniazdka, zawsze ciągnąć za wtyczkę, a nie za kabel.

PL



- Zabezpieczyć przewód zasilający (lub przedłużacz) przed przypadkowym wyciągnięciem z kontaktu. Przewód poprowadzić w sposób uniemożliwiający przypadkowe potknięcie.
- Stale nadzorować urządzenie podczas użytkowania.
- **Ostrzeżenie!** Jeżeli wtyczka jest włożona do gniazdka, urządzenie należy uważać za podłączone do zasilania.
- Przed wyjęciem wtyczki z gniazdka wyłączyć urządzenie!
- Nigdy nie przenosić urządzenia, trzymając za kabel.
- Nie używać żadnych akcesoriów, które nie zostały dostarczone wraz z urządzeniem.
- Urządzenie należy podłączać wyłącznie do gniazdka o napięciu i częstotliwości podanych na tabliczce znamionowej.
- Włóż wtyczkę do gniazdka zlokalizowanego w dogodnym łatwo dostępnym miejscu, tak by w przypadku awarii istniała możliwość natychmiastowego odłączenia urządzenia. W celu całkowitego wyłączenia urządzenia odłączyć je od źródła zasilania. W tym celu wyjąć z gniazdka wtyczkę znajdującą się na końcu przewodu odłączanego urządzenia.
- Przed odłączeniem wtyczki zawsze pamiętać o wyłączeniu urządzenia!
- Nie korzystać z akcesoriów niezalecanych przez producenta. Zastosowanie niezalecanych akcesoriów może stwarzać zagrożenie dla użytkownika oraz prowadzić do uszkodzenia urządzenia. Korzystać wyłącznie z oryginalnych części i akcesoriów.
- Z urządzenia nie mogą korzystać osoby (także dzieci), u których stwierdzono ostabione zdolności fizyczne, sensoryczne lub umysłowe, albo którym brakuje odpowiedniej wiedzy i doświadczenia.
- W żadnym wypadku nie zezwalać na obsługę urządzenia przez dzieci.
- Urządzenie wraz z przewodem przechowywać poza zasięgiem dzieci.
- Nie dopuścić, by dzieci wykorzystywały urządzenie do zabawy.
- Zawsze odłączyć urządzenie od zasilania, jeżeli ma być ono pozostawione bez nadzoru, a także przed montażem, demontażem i czyszczeniem.
- Nie zostawiać urządzenia bez nadzoru podczas użytkowania.
- Przed podjęciem wszelkich czynności konserwacyjnych albo regulacyjnych, wymagane jest odłączenie zasilania poprzez odłączenie wtyczki od gniazdka sieciowego. Należy także sprawdzić, czy piec został wyłączony i ostygł.

2. OZNACZENIE „CE”

Oznaczenie „CE” stanowi szarą etykietę naklejaną na tylną część pieca. Tabliczka znamionowa w wyraźny i czytelny sposób przedstawia następujące dane:



ul. Magazynowa 5, 62-023 Gądkki, Poland
tel. +48 61 658 70 00, www.hendi.pl

Pizza oven Basic 1/40
Piec do pizzy Basic 1/40

Item Kod	226865	Weight Waga	18kg
Power Moc	1600W	Voltage Napięcie	230V, 1N, 50Hz
Date Data	2015	S/N Nr serijny	



3. OPISY TECHNICZNE

Zgodnie z naszą polityką ciągłego udoskonalania produktów zastrzegamy sobie prawo do wprowadzania zmian w produkcie, opakowaniu oraz specy-

fikacjach zawartych w niniejszej dokumentacji bez uprzedniego powiadomienia.

PL

3.1 DANE TECHNICZNE MODELU

Kod	Temp. robocza [°C]	Zasilanie [V]	Komora	Moc [kW]	Moc element. grzewczego górnego [kW]	Moc element. grzewczego dolnego [kW]	Wymiary zewnętrzne bez wystających uchwytów [mm]	Wymiary wewnętrzne [mm]
226865	50 320	230	1	1,6	800x1	800x1	567x427,5x(H)281	410x360x(H)90
226872	50 320	230	2	2,4	800x2	800x1	567x427,5x(H)428	410x360x(H)90
226667	50 320	230	1	1600	800x1	800x1	567x427,5x(H)281	410x360x(H)90
226674	50 320	230	2	2400	800x2	800x1	567x427,5x(H)428	2x 410x360x(H)90
220726	50 455	400	1	5000	2500x1	2500x1	915x621x(H)357	620x500x(H)120
220733	50 455	400	2	7500	2500x2	2500x1	915x621x(H)527	2x 620x500x(H)120
226889	50 455	230 400	1	5	2500x1	2500x1	915x621x(H)357	620x500x(H)120
226896	50 455	230 400	2	7,5	2500x2	2500x1	915x621x(H)527	620x500x(H)120
226773	50 455	230 400	1	4,7	2350x1	2350x1	975x924x(H)413	660x660x(H)140
226780	50 455	230 400	2	9,4	2350x2	2350x2	975x924x(H)745	660x660x(H)140
226902	50 455	230 400	1	7,2	1200x3	1200x3	975x1104x(H)413	660x990x(H)140
226919	50 455	230 400	2	14,4	1200x6	1200x6	975x1104x(H)745	660x990x(H)140



3.2 DANE TECHNICZNE MODELU BASIC

Kod	Temp. robocza [°C]	Zasilanie [V]	Komora	Moc [kW]	Moc element. grzewczego górnego [kW]	Moc element. grzewczego dolnego [kW]	Wymiary zewnętrzne bez wystających uchwyty [mm]	Wymiary wewnętrzne [mm]
226926	50 455	230 400	1	6,0	3000x1	3000x1	1305x489x(H)413	1080x435x(H)140
226933	50 455	230 400	2	12	3000x2	3000x2	1305x489x(H)745	1080x435x(H)140
226940	50 455	230 400	1	6	3000x1	3000x1	1000x844x(H)413	720x720x(H)140
226957	50 455	230 400	2	12	3000x2	3000x2	1000x844x(H)745	720x720x(H)140
226964	50 455	230 400	1	9	1500x3	1500x3	1000x1204x(H)413	720x1080x(H)140
226971	50 455	230 400	2	18	1500x6	1500x6	1000x1204x(H)745	720x1080x(H)140
226988	50 455	230 400	1	9	1500x3	1500x3	1360x844x(H)413	1080x720x(H)140
226995	50 455	230 400	2	18	1500x6	1500x6	1360x844x(H)745	1080x720x(H)140
227046	50 455	230 400	1	13,2	2200x3	2200x3	1360x1204x(H)413	1080x1080x(H)140
227053	50 455	230 400	2	26,4	2200x6	2200x6	1360x1204x(H)745	1080x1080x(H)140
226766	50 455	400	1	6000	1000x3	1000x3	1000x844x(H)413	720x720x(H)140
226759	50 455	400	2	12000	1000x6	1000x6	1000x844x(H)745	2x 720x720x(H)140
226735	50 455	400	1	9000	1500x3	500x3	1000x1204x(H)413	720x1080x(H)140
226742	50 455	400	2	18000	1500x6	1500x6	1000x1204x(H)745	2x 720x1080x(H)140

PL

3.3 PRZEZNACZENIE

Piec przeznaczony jest wyłącznie do określonego poniżej zastosowania:

- Pieczenie pizzy, zapiekanie produktów żywnościowych i podgrzewanie żywności w pojemnikach
- Piec może być obsługiwany wyłącznie przez upoważnionych operatorów (użytkowników)
- Urządzenie nie jest przeznaczone do obsługi przez osoby (w tym dzieci) o obniżonych zdolnościach fizycznych, zmysłowych lub umysłowych lub nieposiadających doświadczenia i wiedzy, o ile nie działają pod nadzorem osób odpowiadających za ich bezpieczeństwo.
- Urządzenie nie jest przeznaczone do zabawy dla dzieci.



3.4 OGRANICZENIA EKSPLOATACJI

Piec zaprojektowano i wyprodukowano wyłącznie do zastosowań określonych w pkt. 3.3, dlatego, aby zapewnić ciągłe bezpieczeństwo operatorów i wydajną pracę pieca, nie wolno używać go do innych celów.

4. INSTALACJA

4.1 INSTRUKCJA DLA UŻYTKOWNIKA

Miejsce instalacji pieca musi spełniać następujące wymogi:

- obszar roboczy musi być suchy,
- źródła wody powinny znajdować się w bezpiecznej odległości,
- należy zapewnić odpowiednią wentylację i oświetlenie odpowiadające obowiązującym przepisom dotyczącym higieny i bezpieczeństwa.

PIECA NIE WOLNO INSTALOWAĆ W POBLIŻU MATERIAŁÓW ŁATWOPALNYCH (DREWNA, TWORZYW SZTUCZNYCH, GAZÓW ITP.). UNIKAĆ KONTAKTU PRZEDMIOTÓW ŁATWOPALNYCH Z NAGRZANĄ POWIERZCHNIĄ PIECA. ZAWSZE ZAPEWNIĆ BEZPIECZEŃSTWO POŻAROWE. UTRZYMAĆ WOLNĄ PRZESTRZEŃ WOKÓŁ PIECA NA PRZYNAJMNIEJ 30 CM.

Sprawdzić, czy parametry instalacji elektrycznej odpowiadają wymogom urządzenia określonym na tabliczce znamionowej przedstawionej w pkt. 3.1, 3.2 Charakterystyka techniczna. Parametry gniazdka elektrycznego muszą być zgodne z wtyczką zamontowaną na końcu kabla.

PL

4.2 PODŁĄCZENIE DO INSTALACJI ELEKTRYCZNEJ

PODŁĄCZENIE DO INSTALACJI ELEKTRYCZNEJ MUSI WYKONAĆ UPRAWNIIONY TECHNIK (ELEKTRYK).

ELEKTRYK MUSI SPEŁNIAĆ WYMOGI TECHNICZNE I ZAWODOWE OKREŚLONE PRZEPISAMI OBOWIĄZUJĄCYMI W KRAJU EKSPLOATACJI. ELEKTRYK ZOBOWIĄZANY JEST WYSTAWIĆ DEKLARACJĘ ZGODNOŚCI NA WYKONANĄ CZYNNOŚĆ.

GŁÓWNA LINIA MUSI BYĆ WYPOSAŻONA W WYŁĄCZNIK RÓŻNICOWO-PRĄDOWY POŁĄCZONY Z INSTALACJĄ UZIEMIENIA, ZGODNIE Z OBOWIĄZUJĄCYMI PRZEPISAMI LOKALNYMI I KRAJOWYMI.



Aby podłączyć urządzenie do instalacji elektrycznej, należy wykonać następujące czynności:

- podłączyć przewody do zacisków L1—L2—L3—N — \perp kabla zasilającego typu H07RNF 3G X „x” mm² bez oznacznika;
- na drugi koniec założyć wtyczkę, znormalizowaną

i spolaryzowaną (rozdzielenie pomiędzy przewodem fazowym a neutralnym musi być wyraźne),

- aby podłączyć urządzenie do jednofazowego zasilania 230 V wystarczy wykonać mostek pomiędzy zaciskami L1-L2-L3 za pomocą płytek znajdujących się w skrzynce zaciskowej

L1 Zacisk nr 1

L2 Zacisk nr 2

L3 Zacisk nr 3

N Zacisk nr 4 i nr 5

\perp Zacisk nr 6

PO PODŁĄCZENIU DO INSTALACJI ELEKTRYCZNEJ UPRAWNIONY TECHNIK (ELEKTRYK) ZOBOWIĄZANY JEST WYSTAWIĆ DEKLARACJĘ POTWIERDZAJĄCĄ CIĄGŁOŚĆ POMIARÓW ZABEZPIECZENIA OBWODÓW.

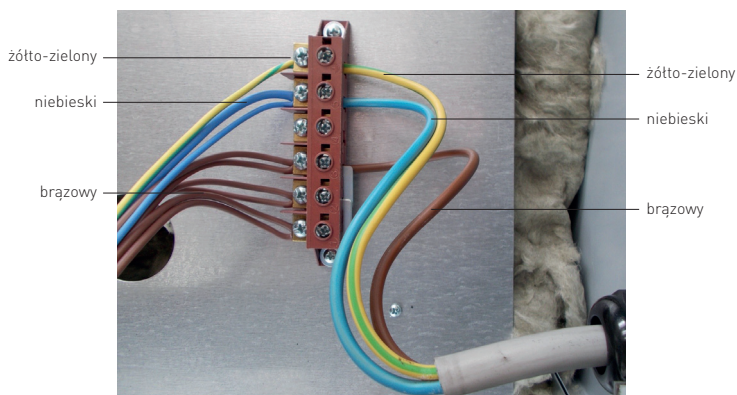
PL

NA LINII ZASILAJĄCEJ URZĄDZENIE POWINIEN ZNAJDOWAĆ SIĘ WYŁĄCZNIK RÓŻNICOWO-PRĄDOWY O PRĄDZIE RÓŻNICOWYM NIEPRZEKRACZAJĄCYM 30 mA.

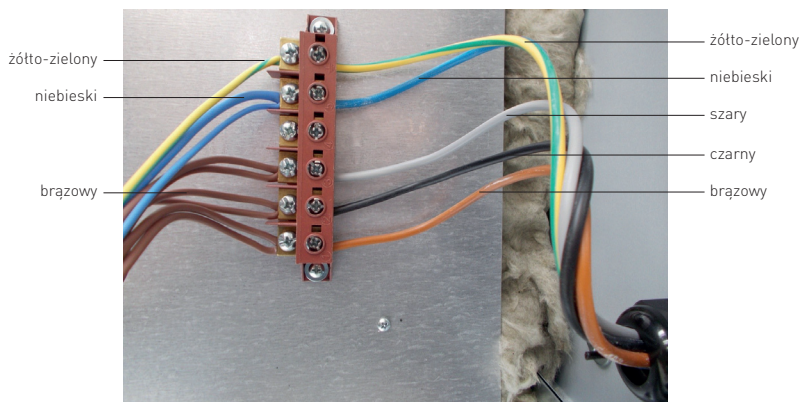
4.3 LISTWA ZACISKOWA

W zależności od modelu pieca listwa zaciskowa znajduje się wewnątrz obudowy pieca lub na zewnątrz obudowy pieca, z tyłu urządzenia w puszcze

Jedna faza

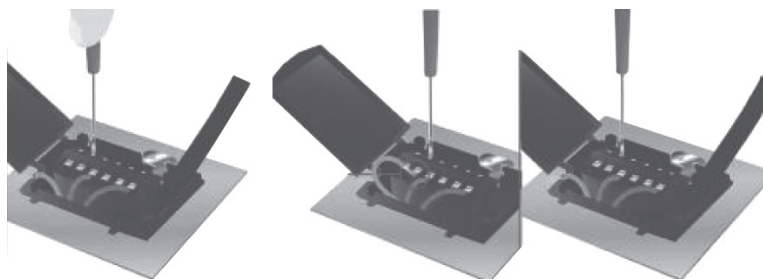


Trzy fazy



Typ pieca	Liczba kabli	Przekrój [mm ²]
Jedna faza, jedna komora	3	4
Jedna faza, dwie komory i jedna faza wersji 9	3	6
Trzy fazy, jedna komora i dwie komory	5	4
Trzy fazy od wersji 9 w górę	5	6

PL



Model	Liczba kabli	Przekrój [mm ²]
BASIC 1/40; BASIC 2/40	3	2,5
BASIC 1/50; BASIC 2/50	5	4
BASIC 4-44; BASIC 6-66	5	4
BASIC XL 4-44; BASIC XL 6-66; BASIC XL 6L-66L; BASIC XL 9-99	5	5



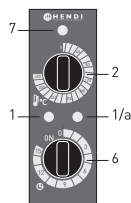
4.4 POŁĄCZENIE EKWIPOWOLCJALNE

Urządzenie należy podłączyć do układu ekwipotencjalnego, odpowiedni zacisk znajduje się w pobliżu skrzynki zaciskowej. Przewód ekwipotencjalny musi mieć przekrój 10 mm².

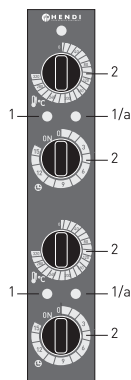
5. EKSPLOATACJA I OBSŁUGA

5.1 PANEL STEROWANIA

Panel sterowania znajduje się z przodu pieca, patrz rys. 1, 2, 3.



Rys. 1
panel sterowania
HENDI 226865



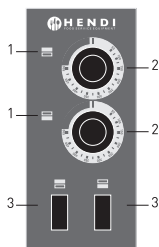
Rys. 2
panel sterowania
HENDI 226872

PL

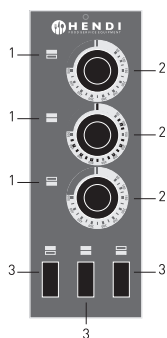
Legenda – rys. 1 i 2

Nr	Oznaczenie	Funkcja
1	Kontrolka	Zapalenie kontrolki oznacza, że elementy grzewcze działają
1/a	Kontrolka	Jeśli jest zapalona, włączony jest zegar
2	Termostat	<ul style="list-style-type: none">• Położenie 0: elementy grzewcze są wyłączone• Położenie 50-320°C: regulacja temperatury
6	Zegar	Regulacja czasu pieczenia
7	Wyłącznik główny	Wyłącza wszystkie części

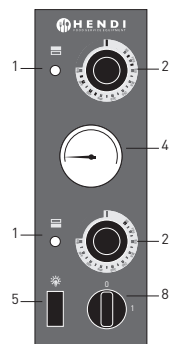




Rys. 3
panel sterowania
HENDI 226889



Rys. 4
panel sterowania
HENDI 226896



Rys. 5
panel sterowania
pozostałe modele

Legenda – rys. 3, 4 i 5

Nr	Oznaczenie	Funkcja
1	Kontrolka	Zapalenie kontrolki oznacza, że elementy grzewcze działają
2	Termostat	<ul style="list-style-type: none"> • Położenie 0: elementy grzewcze wyłączone • Położenie 50-455°C: regulacja temperatury
3	Włączenie elementu grzejnego	<ul style="list-style-type: none"> • Położenie I: elementy grzewcze włączone • Położenie 0: elementy grzewcze wyłączone
4	Termometr	Wskazuje temperaturę w komorze pieczenia
5	Włącznik oświetlenia komory (I-0)	<ul style="list-style-type: none"> • Położenie I: oświetlenie komory włączone • Położenie 0: oświetlenie komory wyłączone
8	Włącznik główny prądu	<ul style="list-style-type: none"> • Położenie I: zasilanie elektryczne włączone • Położenie 0: zasilanie elektryczne wyłączone

PL

5.2 PIERWSZY ROZRUCH

Przed pierwszym uruchomieniem pieca zdjąć folię ochronną nie używając narzędzi, które mogą uszkodzić powierzchnię.

ZE WZGLĘDÓW BEZPIECZEŃSTWA MAKSYMALNA DOZWOLONA TEMPERATURA TO 455°C. TEMPERATURĘ MOŻNA USTAWIĆ ZA POMOCĄ TERMOSTATU.

ROZRUCH PIECA MOŻNA PRZEPROWADZIĆ PO ZAKOŃCZENIU CZYNNOŚCI INSTALACYJNYCH I WYDANIU DEKLARACJI ZGODNOŚCI DLA PRZYŁĄCZENIA DO INSTALACJI ELEKTRYCZNEJ PRZEZ UPRAWNIONEGO ELEKTRYKA.



Pierwszy rozruch pieca należy wykonać w następujący sposób:

- oczyścić przednią część pieca za pomocą czystej, miękkiej ściereczki, usuwając ewentualne osady;
- podłączyć wtyczkę do gniazda zasilania;
- przelącznik elementów grzewczych (rys. 3, 4, - nr 3) przelącznyć do położenia „I”; modele 226865 i 226872: nacisnąć przelącznik główny (rys. 1, 2 - nr 7; rys. 5 - nr 8);
- uruchomić elementy grzewcze ustawiając termostat (rys. 1, 2, 3, 4, 5 - nr 2) na temperaturę 150°C. Zapalenie się czerwonej kontrolki sygnalizuje włączenie elementów grzewczych;
- odczekać ok. 1 godzinę do nagrzania;
- wyłączyć elementy grzewcze przelączając przelącznik (rys. 1, 2, 3, 4, 5 - nr 2) do położenia „0” - kontrolka zgaśnie; modele 226865 i 226872: nacisnąć przelącznik główny i wyłączyć elementy grzewcze;
- otworzyć drzwi i pozostawić je otwarte przez

około 15 min., aby usunąć parę i zapach;

- zamknąć drzwi i powtórzyć czynności opisane w pkt 4, ustawiając termostat (rys. 1; 2; 3; 4; 5-nr 2) na temperaturę 400°C; modele 226865 i 226872: ustawić termostaty (rys. 1; 2-nr 2) na temperaturę 350°C.
- odczekać ok. 1 godzinę do nagrzania;
- wyłączyć elementy grzewcze przelączając przelącznik (rys. 1, 2, 3, 4, 5 - nr 2) do położenia „0” - kontrolka zgaśnie; modele 226865 i 226872: nacisnąć przelącznik główny i wyłączyć elementy grzewcze;
- wyłączyć piec w sposób przedstawiony w pkt 5.4;
- w modelach 226865 i 226872 można regulować czas pieczenia ustawiając minuty za pomocą zegara (rys. 1, 2 - nr 6); po upływie zadanego czasu elementy grzewcze wyłączą się. Aby wybrać kolejny tryb pieczenia, obrócić pokrętkę zegara (rys. 1, 2 - nr 6) w lewo do położenia „wt.”.

5.3 WŁĄCZANIE PIECA

PL

1. Podłączyć wtyczkę kabla zasilającego do gniazdka sieciowego;
2. Przelącznik elementów grzewczych (rys. 3 4, 5 - nr 3) przelącznyć do położenia „I”; modele 226865 i 226872: nacisnąć przelącznik główny (rys. 1, 2 - nr 7), w modelach z panelem rys. 5 przelącznik nr 8 ustawić w pozycji „I”;
3. Uruchomić elementy grzewcze ustawiając za pomocą termostatu (rys. 1, 2, 3, 4, 5 - nr 2) żadaną temperaturę wskazaną na pokrętkle. Zapalone zostaną kontrolki wskazujące, które elementy grzewcze są włączone;
4. Gdy piec osiągnął żadaną temperaturę (patrz punkt 9 obecnego akapitu), widoczną na termometrze (rys. 5-nr 1) można włożyć pizzę do pieca;
5. Ręcznie otworzyć drzwi pieca;
6. Aby włączyć oświetlenie komory, nacisnąć włącznik oświetlenia pieca (rys. 5-nr 5);
7. Za pomocą odpowiednich narzędzi włożyć do pieca pizzę. Nie należy pozostawiać otwartych drzwi- czek pieca przez dłuższy czas, ponieważ uciekające z pieca ciepło powoduje spadek temperatury w komorze.
8. Zamknąć drzwi i kontrolować proces pieczenia przez przeszklenie;
9. Temperatura pieczenia pizzy może być różna w zależności od tego, czy pizza umieszczona jest bezpośrednio na ogniotrwałym kamieniu, czy też na blasze. W pierwszym przypadku zaleca się ustawić temperaturę pieczenia na 280°C dla dolnego elementu i 320°C dla elementu górnego. W drugim przypadku należy ustawić 320°C dla dolnego elementu i 280°C dla górnego.
10. Po zakończeniu pieczenia otworzyć drzwi, wyjąć pizzę i zamknąć drzwi.



5.4 WYŁĄCZANIE PIECA

Po zakończeniu pieczenia wykonać następujące czynności:

- Wyłączyć piec przetaczając wyłączniki elementów grzewczych do położenia „0” (rys. 3, 4, 5 - nr 3),
- to samo wykonać dla pokręteł regulujących termostaty (rys. 1, 2, 3, 4, 5 - nr 2).
- Piece 226865 i 226872: nacisnąć wyłącznik główny i wyłączyć elementy grzewcze;
- Piec z panelem rys.5 - ustawić przetacznik nr 8 w pozycję „0”
- Wszystkie piece - odłączyć zasilanie elektryczne zewnętrznym, ściennym wyłącznikiem głównego zasilania.
- Nie wolno pozostawiać pieca bez nadzoru pod napięciem.

6. KONSERWACJA

PRZED PRZYSTĄPIENIEM DO CZYNNOŚCI KONSERWACYJNYCH WYMAGANE JEST ODŁĄCZENIE WTYCZKI OD ZASILANIA.

6.1 MYCIE

Mycie należy wykonywać po każdym użyciu, zgodnie z instrukcjami.

Mycie powierzchni ogniotrwałej: czynność tę należy wykonać przy nagrzanym piecu.

Przy temperaturze na poziomie ok. 350°C wyłączyć piec, otworzyć drzwi i wyczyścić powierzchnię za

pomocą szczotki z włókna naturalnego na długim trzonku, aby uniknąć bezpośredniego kontaktu ciała z nagrzanymi częściami pieca.

Mycie powierzchni zewnętrznych: (powierzchnie ze stali nierdzewnej, przeszklenie i panel sterowania): te czynności należy wykonywać przy zimnym piecu.

PL

ZALECA SIĘ STOSOWANIE ODPOWIEDNIH RĘKAWIC I ODZIEŻY OCHRONNEJ, ABY UNIKNĄĆ POPARZEŃ.

NIEDOZWOLONE JEST UŻYWANIE STRUMIENIA WODY, ŚRODKÓW ŚCIERNYCH ALBO POWODUJĄCYCH KORROZJĘ A TAKŻE TAKICH, KTÓRE MOGĄ USZKODZIĆ ELEMENTY URZĄDZENIA, NEGATYWNIE WPŁYNAĆ NA BEZPIECZEŃSTWO I HIGIENĘ PRACY.

W przypadku awaryjnych czynności konserwacyjnych, naprawy lub wymiany skontaktować się z autoryzowanym dealerem, od którego zakupiono urządzenie

lub uprawnionym serwisantem spełniającym wymagania określone obowiązującymi przepisami.



7. GWARANCJA

Każda wada bądź usterka powodująca niewłaściwe funkcjonowanie urządzenia, która ujawni się w ciągu jednego roku od daty zakupu, zostanie bezpłatnie usunięta lub urządzenie zostanie wymienione na nowe, o ile było użytkowane i konserwowane zgodnie z instrukcją obsługi i nie było wykorzystywane w niewłaściwy sposób lub niezgodnie z przeznaczeniem. Postanowienie to w żadnej mierze nie narusza innych praw użytkownika wynikających z przepisów prawa. W przypadku zgłoszenia urządzenia do na-

prawy lub wymiany w ramach gwarancji należy podać miejsce i datę zakupu urządzenia i dołączyć dowód zakupu (np. paragon).

Zgodnie z naszą polityką ciągłego doskonalenia wyrobów zastrzegamy sobie prawo do wprowadzania bez uprzedzenia zmian w wyrobie, opakowaniu oraz danych technicznych podawanych w dokumentacji.

8. WYCOFANIE Z UŻYTKOWANIA I OCHRONA ŚRODOWISKA

Urządzenie zużyte i wycofane z użytkowania należy zutylizować zgodnie z przepisami i wytycznymi obowiązującymi w momencie wycofania urządzenia.

Materiały opakowaniowe, jak tworzywa sztuczne i pudła, należy umieszczać w pojemnikach na odpady właściwych dla rodzaju materiału.

9. ELEMENTY ELEKTRYCZNE

PL

WYKAZ CZĘŚCI

Oznaczenie	Opis
T	Termostat jednobiegunowy
TT	Termostat trzybiegunowy
QS0	Przetątnik elementów grzewczych
HL	Oświetlenie kontrolne elementów grzewczych
QF0/1	Włacznik oświetlenia komory
K	Stycznik
TI	Zegar

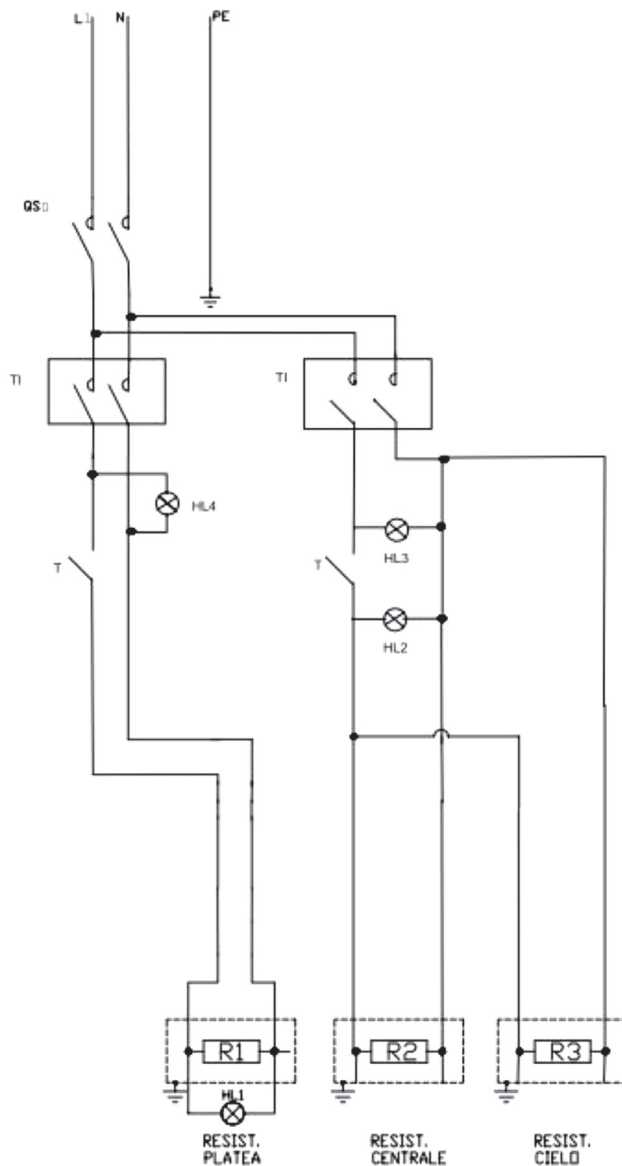


10. SCHEMATY ELEKTRYCZNE

SCHEMAT ELEKTRYCZNY

Model: 226872

Zasilanie: 230 V, 1N, 50 Hz



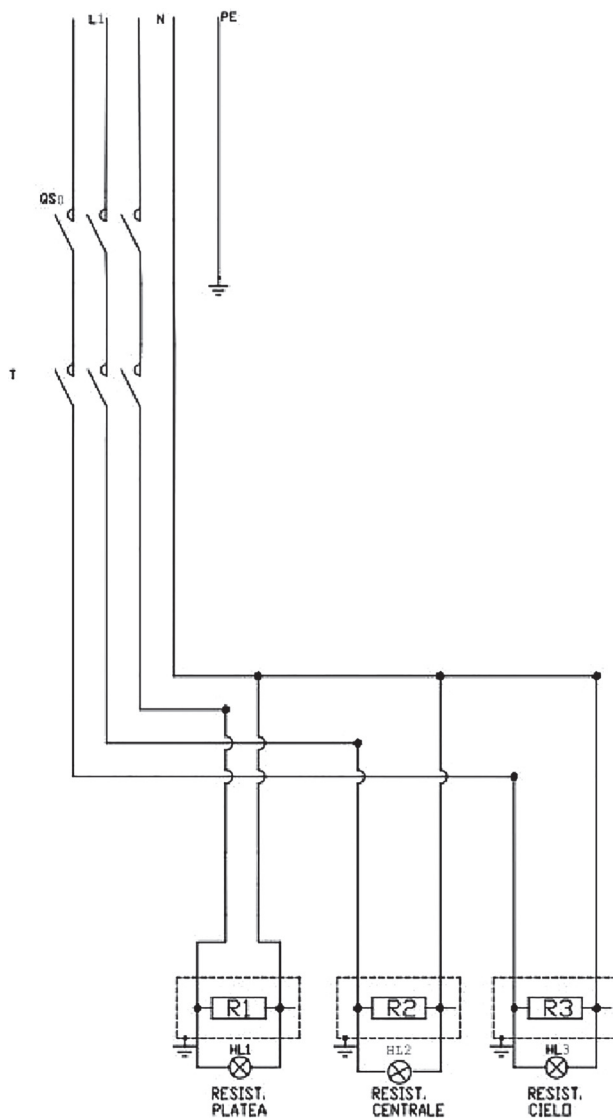
PL



SCHEMAT ELEKTRYCZNY

Model: 226896

Zasilanie: 400 V, 3N, 50 Hz



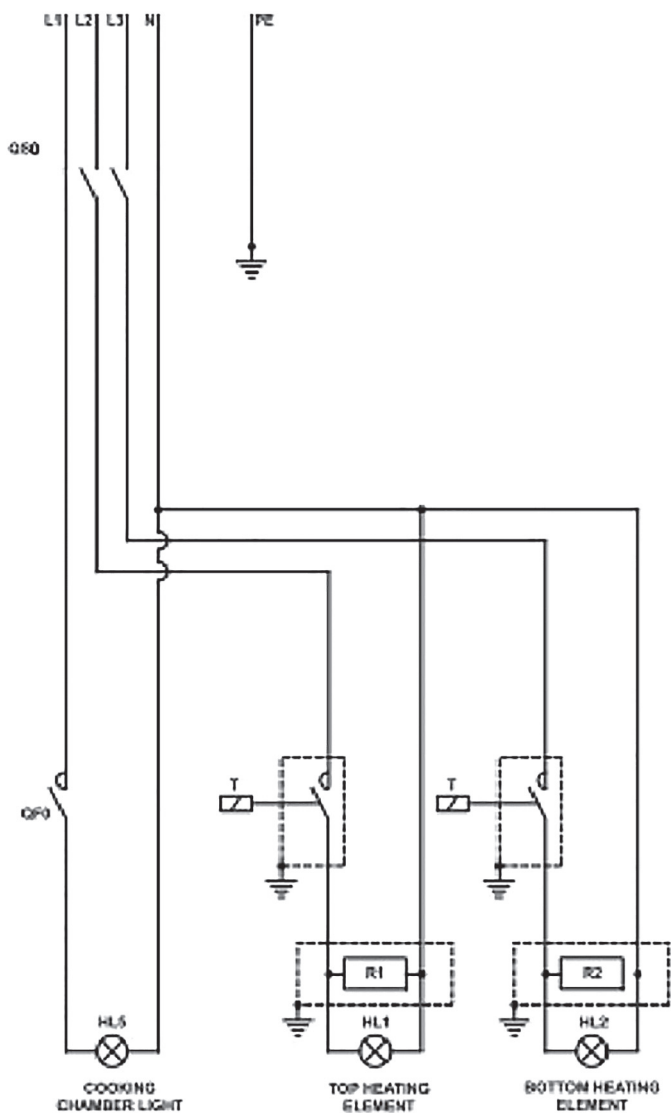
PL



SCHEMAT ELEKTRYCZNY

Model: 226773, 226780, 226940, 226957

Zasilanie: 400 V, 3N, 50 Hz (na jedną komorę)



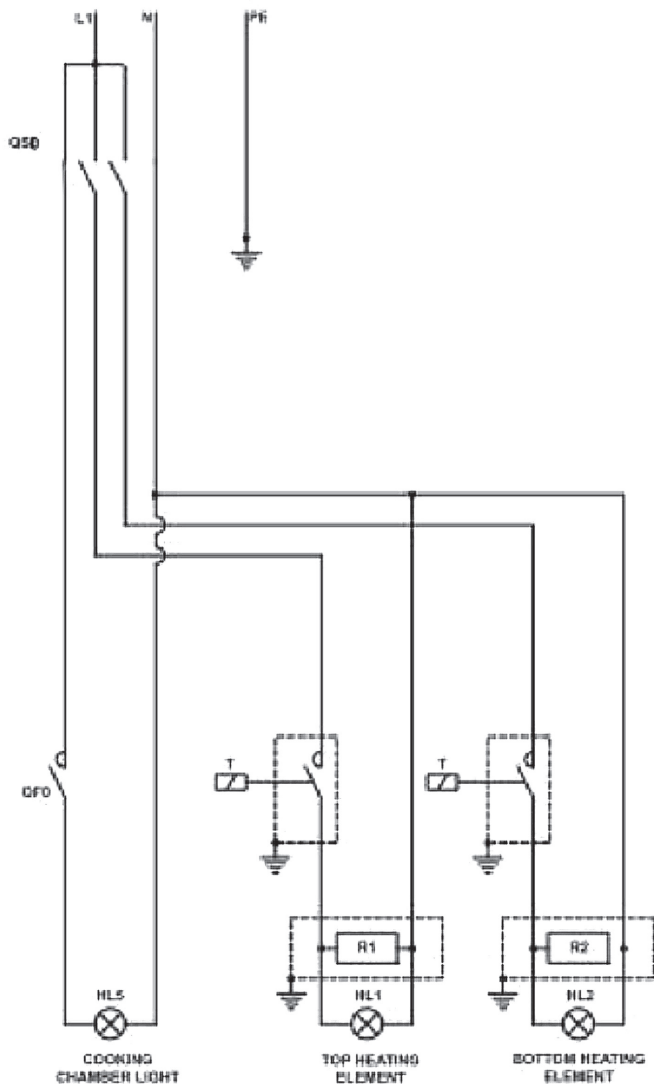
PL



SCHEMAT ELEKTRYCZNY

Model: 226902, 226919, 226964, 226971, 226988, 226995, 227046, 227053

Zasilanie: 230, 1N, 50 Hz (na jedną komorę)



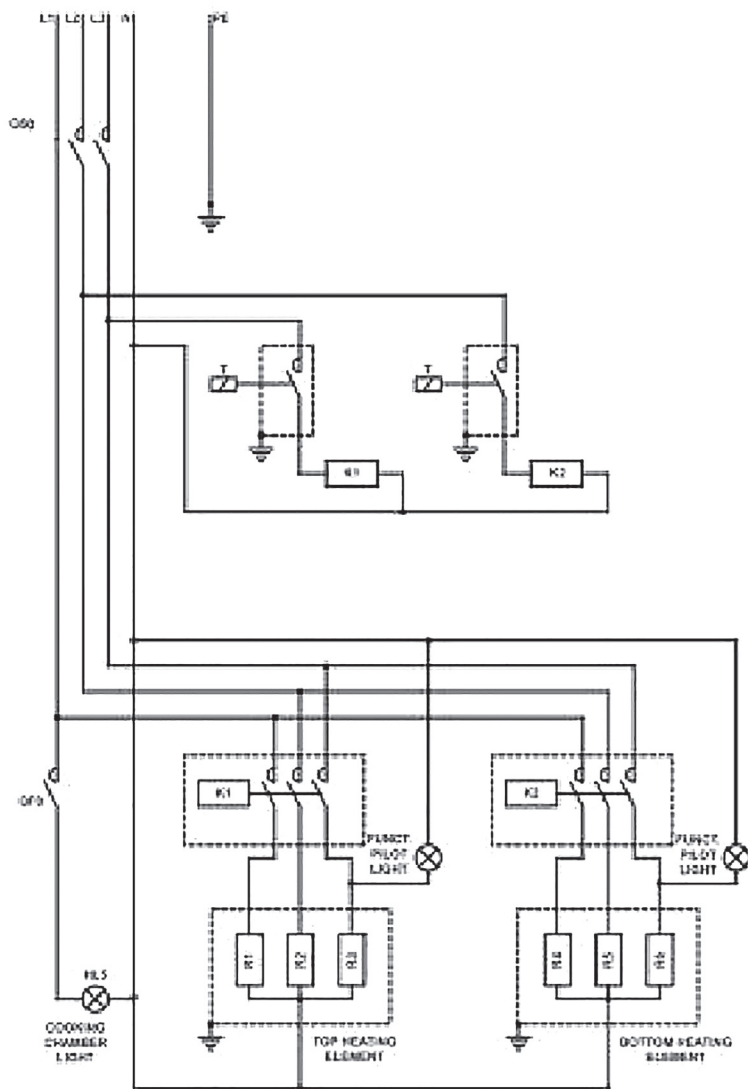
PL



SCHEMAT ELEKTRYCZNY

Model: 226902, 226919, 226964, 226971, 226988, 226995, 227046, 227053

Zasilanie: 400 V, 3N, 50 Hz (na jedną komorę)



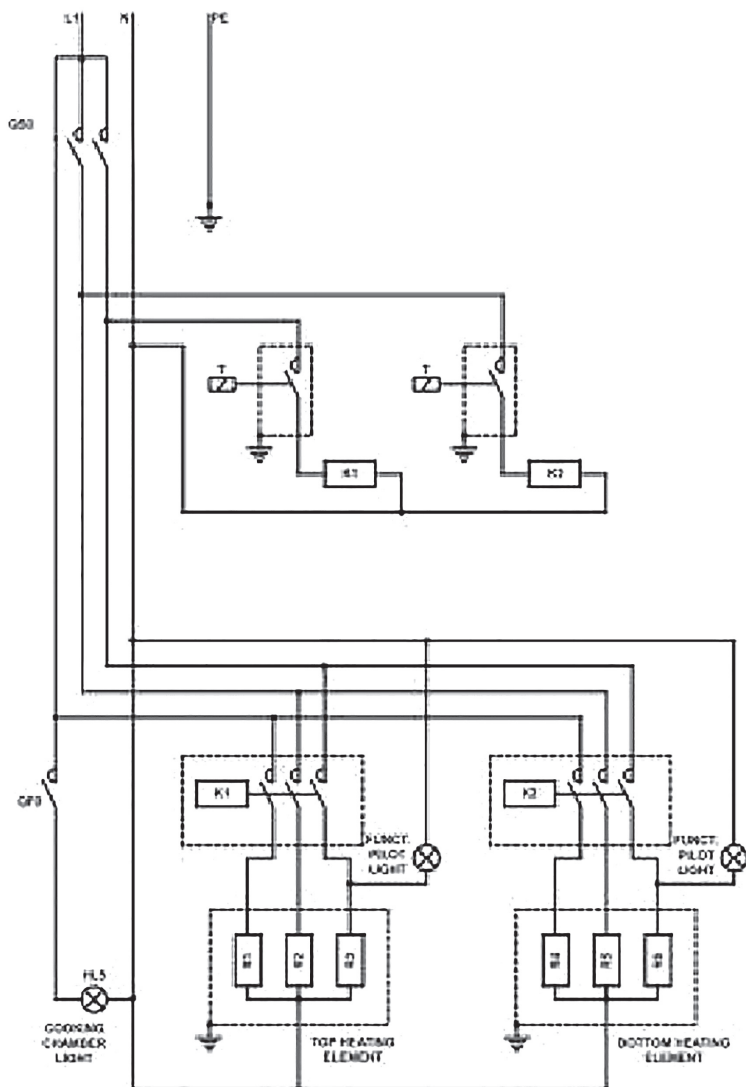
PL



SCHEMAT ELEKTRYCZNY

Model: 226902, 226919, 226964, 226971, 226988, 226995, 227046, 227053

Zasilanie: 230 V, 1N, 50 Hz (na jedną komorę)



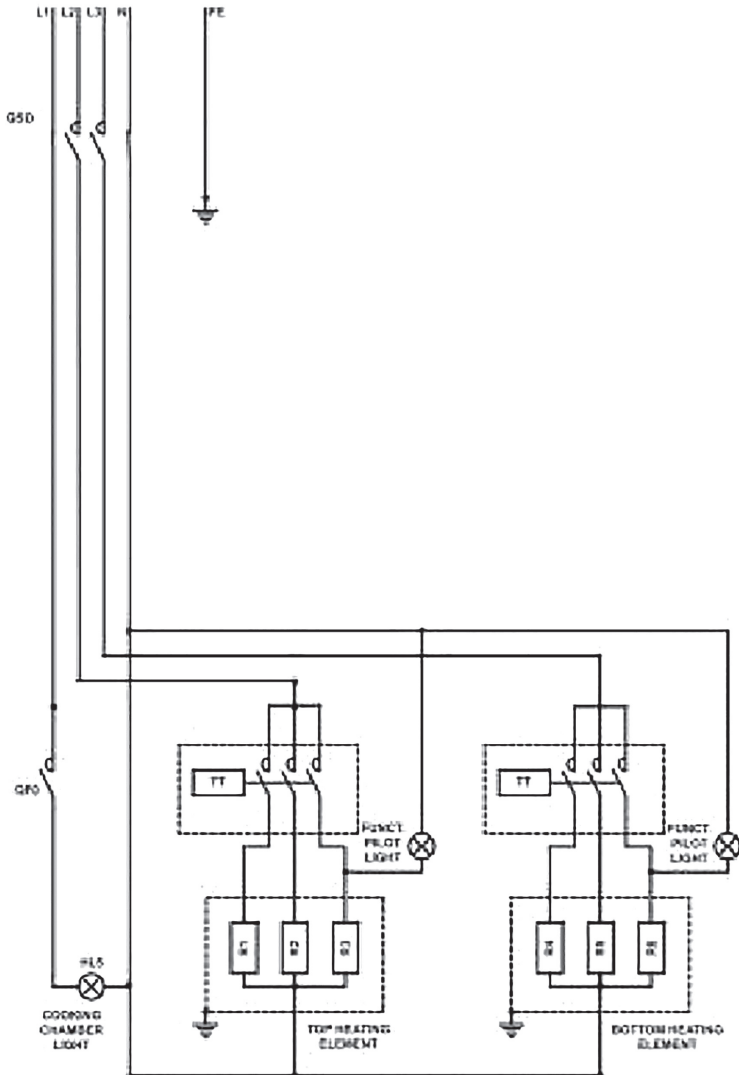
PL



SCHEMAT ELEKTRYCZNY

Model: 226902, 226919, 226964, 226971, 226988, 226995, 227046, 227053

Zasilanie: 400 V, 3 N, 50 Hz (na jedną komorę) z termostatem trójfazowym



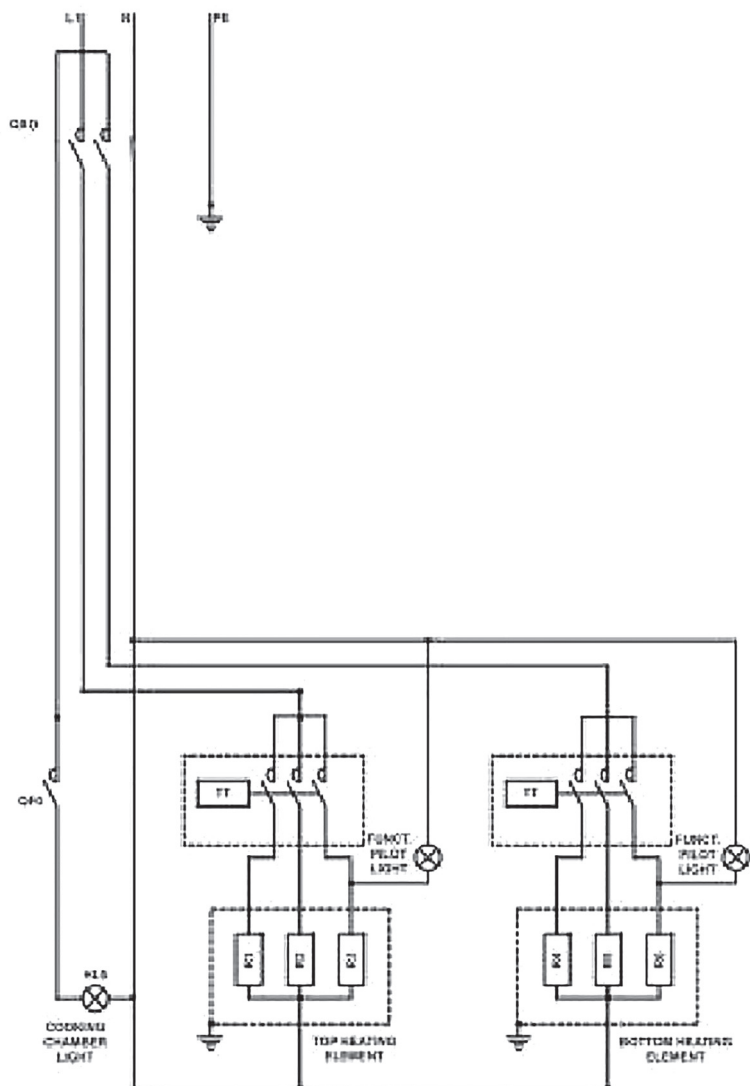
PL



SCHEMAT ELEKTRYCZNY

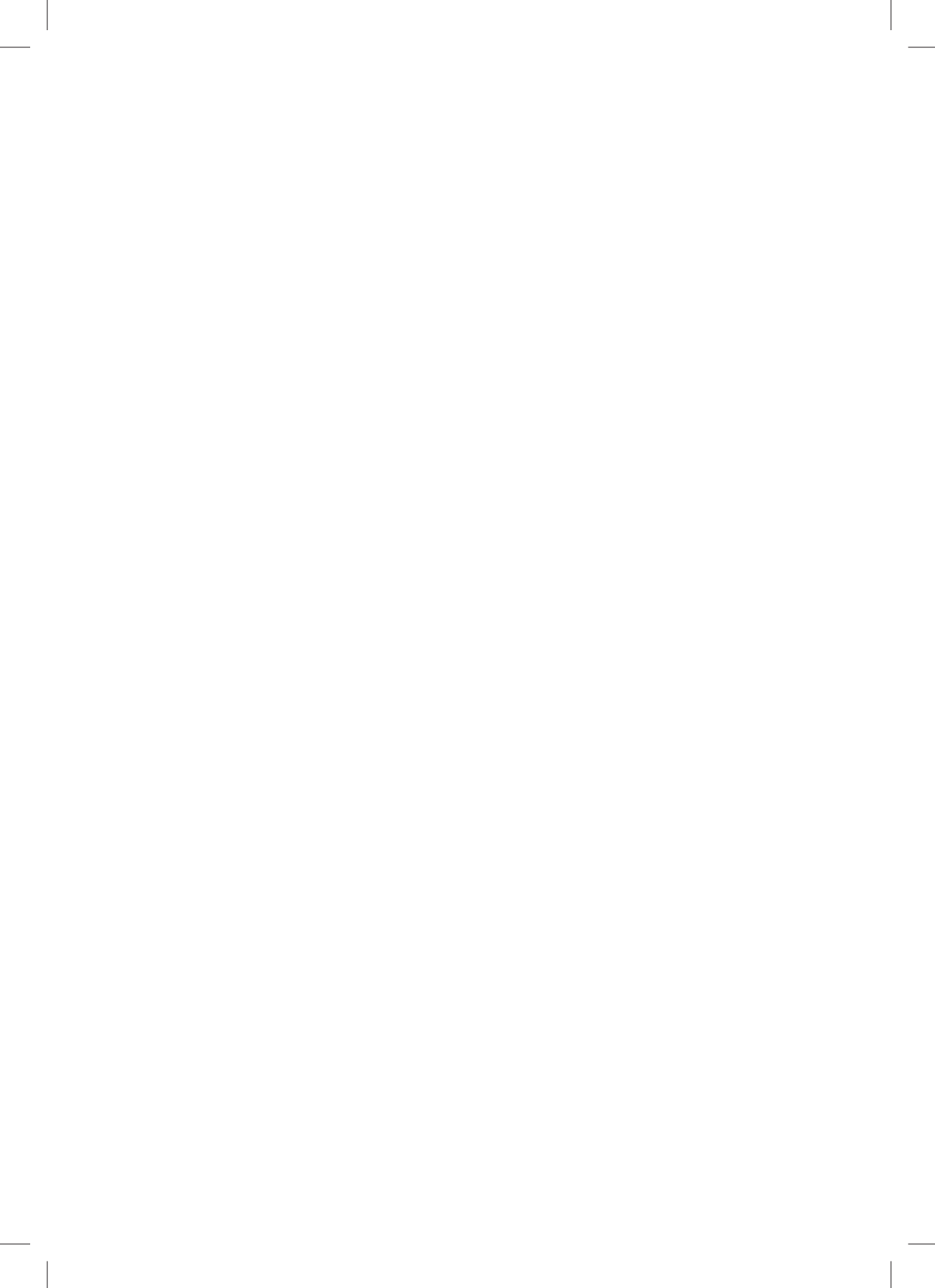
Model: 226902, 226919, 226964, 226971, 226988, 226995, 227046, 227053

Zasilanie: 230 V, 1 N, 50 Hz (na jedną komorę) z termostatem trójfazowym



PL







HENDI
FOOD SERVICE EQUIPMENT

Hendi B.V.

Steenoven 21

3911 TX Rhenen, The Netherlands

Tel: +31 (0)317 681 040

Fax: +31 (0)317 681 045

Email: info@hendi.eu

Find Hendi on internet:

www.hendi.eu

www.facebook.com/HendiFoodServiceEquipment

www.linkedin.com/company/hendi-food-service-equipment-b.v.

www.youtube.com/HendiEquipment

Hendi Polska Sp. z o.o.

ul. Magazynowa 5

62-023 Gądkki, Poland

Tel: +48 61 6587000

Fax: +48 61 6587001

Email: info@hendi.pl

- Changes, printing and typesetting errors reserved.

- Producent zastrzega sobie prawo do zmian
oraz błędów drukarskich w instrukcji.